



Chipsmall Limited consists of a professional team with an average of over 10 year of expertise in the distribution of electronic components. Based in Hongkong, we have already established firm and mutual-benefit business relationships with customers from,Europe,America and south Asia,supplying obsolete and hard-to-find components to meet their specific needs.

With the principle of “Quality Parts,Customers Priority,Honest Operation,and Considerate Service”,our business mainly focus on the distribution of electronic components. Line cards we deal with include Microchip,ALPS,ROHM,Xilinx,Pulse,ON,Everlight and Freescale. Main products comprise IC,Modules,Potentiometer,IC Socket,Relay,Connector.Our parts cover such applications as commercial,industrial, and automotives areas.

We are looking forward to setting up business relationship with you and hope to provide you with the best service and solution. Let us make a better world for our industry!



## Contact us

Tel: +86-755-8981 8866 Fax: +86-755-8427 6832

Email & Skype: info@chipsmall.com Web: www.chipsmall.com

Address: A1208, Overseas Decoration Building, #122 Zhenhua RD., Futian, Shenzhen, China



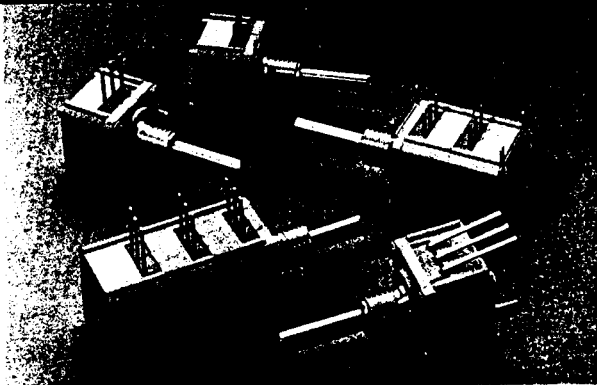
# DATA SHEET

## Series 308/309 Potentiometer

HAWKER

CLAROSTAT

SIDDELEY



308: Modular Style, Conductive Plastic

309: Modular Style, Thick-Film Cermet

### Description

The series 308 and 309 are high-performance, low cost potentiometers. They are also available with S.P.S.T. or S.P.D.T. rotary switch modules, S.P.S.T. momentary switch modules and/or potentiometer modules in multiple sections up to three sections.

### Features

- **Compact** - 1/2 in. (12.7mm) miniature, modular size.
- **Cost-effective** - Design simplicity through fewer component parts.
- **Robust** - Horizontal or vertical mountings with support plates. Nickel-plated brass shaft and bushings in various diameters and lengths. Insert molded gold plated terminals for strength.
- **Precision Made** - screen-printed conductive plastic and thick-film cermet elements.
- **Stability** - Series 308 - 40°C to +120°C; Series 309 - 40°C to 150°C operating temperature.

### Series 308 Electrical Specifications

<i>Resistance Tolerance</i>	100Ω to 5 Megohms, linear; 500Ω to 2 Megohms, non-linear
<i>Resistance Range</i>	Linear, thru 500KΩ, ±10%; above 500K to 5 Megohms, ±20%. Non-linear thru 100KΩ, ±10%; above 100Ω ±20%.
<i>End Resistance</i>	Linear, 4Ω maximum each end. Taper low side. 4Ω maximum. High side 1% of total R.
<i>Power Rating</i>	.5 watt @70°C. Derated linearly to zero watts at 120°C. See Chart B, page 29. For non linear tapered units or PC mounting, derate by 50%. Trimmer style, derate by 50%.
<i>Effective Rotation</i>	265° ±5° without rotary switch; 240° ±5° with rotary switch.
<i>Dynamic Noise</i>	Standard: Linear single controls maximum initial noise level of 1.5% of total resistance. Measurement made using constant current source and oscilloscope detection technique. Special: 1%.

### Series 309 Electrical Specifications

<i>Resistance Tolerance</i>	Linear: 5Ω to 5 Megohms Taper: 100Ω to 2 Megohms
<i>Resistance Range</i>	±10% standard; ±5% special. Trimmers ±20%.
<i>End Resistance</i>	2Ω maximum. 5Ω to 2500Ω. 4Ω maximum. 5KΩ and above.
<i>Power Rating</i>	1 watt @ 85°C. Derate linearly to zero watts at 150°C. For tapered units, trimmers or PC mounting, derate 50%.
<i>Effective Rotation</i>	250° +10° -5° without rotary switch; 225° +10° -5° with rotary switch.
<i>Dynamic Noise</i>	Standard: Linear single controls maximum initial noise level of 3% of total resistance. Measurement made using constant current source and oscilloscope detection technique. Special: 1.5%

*Electrical Specifications continued, next page*

*Electrical Specifications continued from previous page*

<i>Electrical Rotation</i>	295° ±5°	295° ±5°
<i>Working Voltage</i>	350 Vdc across end terminals, but power not to exceed rating.	350 Vdc across end terminals, but power not to exceed rating.
<i>Resistance Temperature Characteristics</i>	See Chart C.	See Chart C.
<i>Linearity</i>	±5% independent	±5% independent
<i>Non-linear Tapers</i>	Right or left-hand available. See Chart A.	Right or left-hand available. See Chart A.
<i>Taper Tolerance</i>	±20% of nominal resistance @ 50% ±3% of mechanical rotation.	±20% of nominal resistance @ 50% ±3% of mechanical rotation.
<i>Voltage Coefficient</i>	.008%/Volt maximum	.008%/Volt maximum
<i>Dielectric Withstanding Voltage</i>	750 Vac for 60 seconds @ ATM pressure. 350 Vac for 6 seconds @ 3.4 in. Hg.	900 Vac for 60 seconds @ ATM pressure. 350 Vac for 60 seconds @ 3.4 in. Hg.

**Series 308/309 Mechanical Specifications**

*Mechanical Rotation*

295° ±5°

*Stop Torque*

3 lb. in. minimum (metal shaft)

Other torque options available. Please consult factory

*Torque Range*

.20 to 3.0 oz. in. (Single); .3 to 3.5 oz. in. (Dual); .4 to 4.5 oz. in. (Triple).

Other torque options available. Please consult Factory.

*Torque Variation*

Within control .5 oz. in. maximum

*Bushing*

Material: Brass nickel plated

Diameters: Supplied in .250" – 32 NEF 2A thread (6.35mm) and .375" – 32 NEF 2A thread (9.53mm).

Lengths: Available in .250"(6.35mm), .375"(9.53mm), and .500"(12.7mm).

Styles: Plain, locking and trimmer.

*Shaft*

Material: Brass nickel plated and stainless steel

Diameters: Single shaft: .125"(3.18mm) and .250"(6.35mm)  
Concentric: .078"/.125"(1.98/3.18mm) and .125"/.250"(3.18/6.35mm)

Lengths: Maximum of 3"(76.2mm) from bushing mounting surface. .025"(6.35mm) minimum on trimmer bushing

Styles: Plain, slotted, flatted and concentric

*Push Momentary Switch*

S.P.S.T., 125ma, 28Vdc, push momentary switch. Type DJ

*Rotary Switch*

S.P.S.T. and S.P.D.T., CCW or CW, 125ma, 28Vdc. Type AL

*Center Detent*

Indent device which provide an indexing position.

Indent torque: .6 to 3 oz. in.

Rotational torque: .3 to 2.5 oz. in.

Indent position: Single at 50% mechanical rotation

Rotational life: 25,000 cycles

*Housing*

Thermoplastic polyester, blue. (U.L. SE-O rating).

*Hardware*

Nut: brass, nickel-plated

Lockwasher: phosphorous bronze, nickel-plated

*Solvent Resistance*

Housing resistant to trichlorethylene, \*Chlorethene NU, Freon TMS, \*\*Freon TMC, toluene, MEK, ethyl acetate and gasoline. For solvents not listed, please consult Factory. **Note:** Units not immersion sealed

*Terminals*

Gold-coated PC terminals or solder hook style. PC pins fit .100 grid spacing. Terminal mounting options available.

*Weight (approx.)*

Metal shaft & bushing: (Single) .19 oz., (Dual) .27 oz., (Triple) .35 oz.

\*T.M. Dow Chemical Co.

\*\*T.M. DuPont

*Mechanical Specifications continued, next column*

## Series 308/309 Operational Specifications

### Operating Temperature Range

Series 308: -40°C to +120°C

Series 309: -40°C to +150°C

### Storage Temperature Range

Series 308: -55°C to +120°C

Series 309: -55°C to +150°C

### Rotational Life

Series 308: linear control, 50,000 cycles under load.  
(plain bushing).

Change not to exceed 10% R.

Trimmer life under load is 5,000 cycles.

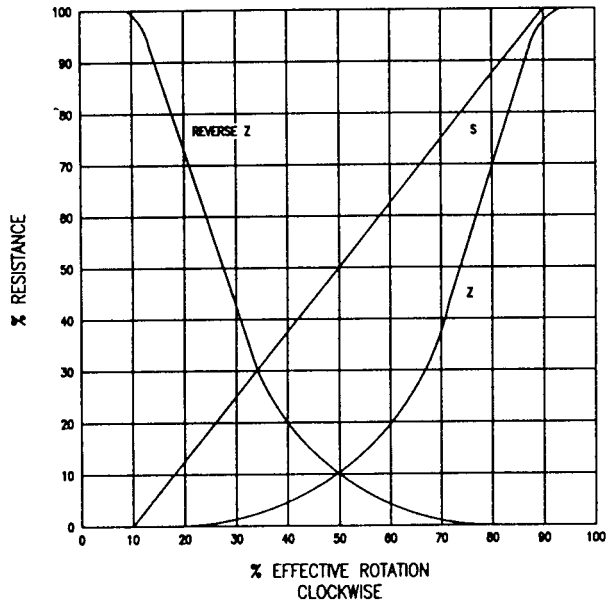
Series 309: linear control, 25,000 cycles under load.  
(plain bushing).

Change not to exceed 5% R.

Trimmer life under load is 5,000 cycles.

Figure 1

Chart A



### Curves Standard

The "S" taper is linear, the change in resistance value being directly proportional to the degree of rotation. It can be used either as right-hand or left-hand taper.

The "Z" taper attains 10% resistance value at 50% of clockwise rotation (left-hand).

The reverse "Z" taper attains 10% resistance values at 50% of counter-clockwise rotation (right-hand).

For conformity and special output curves, consult Factory

## AL Switch Specifications

### Rating

125ma 28Vdc (dry circuit)

### Rotational Life

25,000 cycles under rated load

## DJ Switch Specifications

### Rating

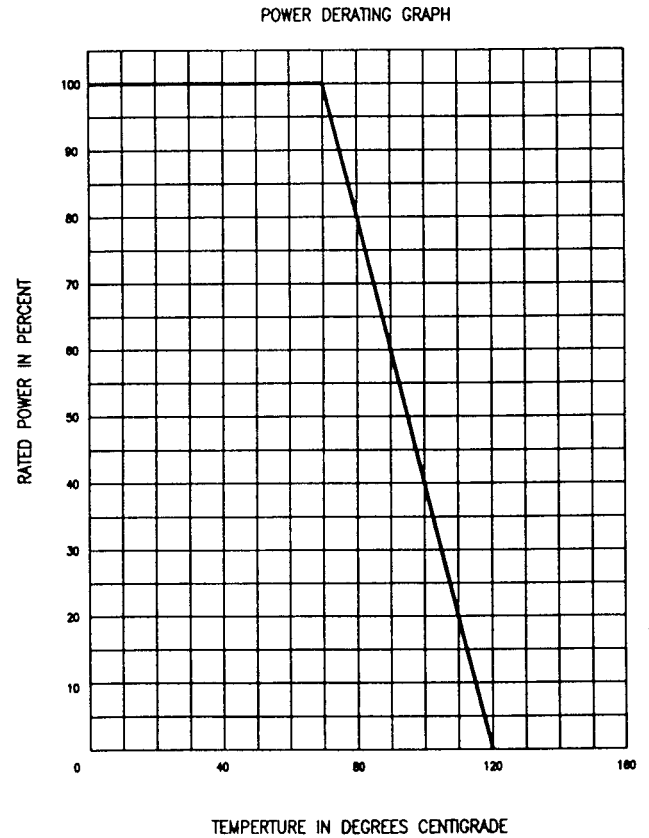
125ma 28Vdc

### Rotational Life

25,000 under rated load

Figure 2

Chart B



**Figure 3**  
**Chart C**

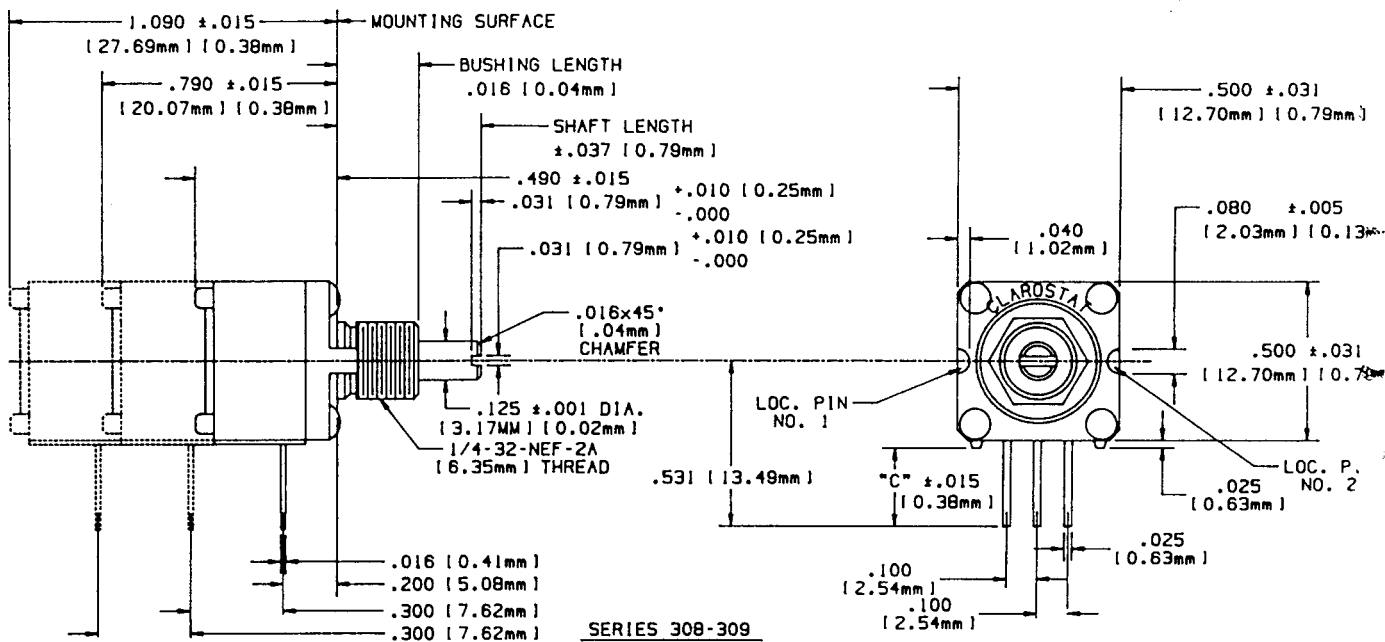
Nominal Resistance	Maximum Percent Temporary Resistance Change From 25°						
	-55°C	-40°C	0°C	+25°C	+55°C	+85°C	+120°C
100 Ohms	±5.0	±4.0	±1.5	0	±1.5	±2.0	±3.5
10k Ohms	+7.0	+5.5	+2.0	0	±1.5	±2.5	±5.5
100k Ohms	+8.0	+6.0	+2.5	0	±2.0	±3.5	±6.0
1 Megohm	+10.0	+8.0	+3.0	0	±2.5	±4.0	±7.5

For non-linear tapers, multiply chart values by 1.25.

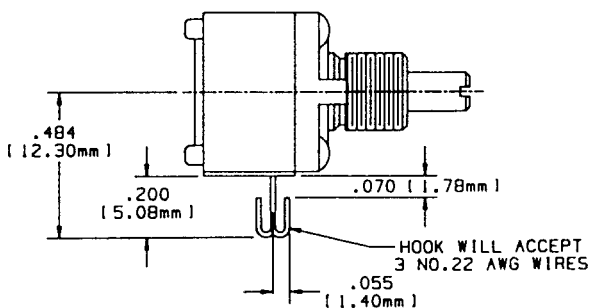
Tolerance specifications apply to all layout drawings unless otherwise specified:  
 fractions  $\pm 1/64$  in. (.379mm);  
 $\pm 1/32$  in. (.794mm) over 1 in. (25.4mm);  
 decimals  $\pm .005$  in. (.127mm);  
 PC board layout  $\pm .010$  in. (.254mm).

**Figure 4**  
**Series 308/309**

Single, Dual or Triple  
 (Second or Third Section May Be AL Series Rotary Switch)  
 Printed Circuit - Type B-22  
 "C" Terminal Length: .875" (22.3mm) Maximum  
 Standard PC Terminal Length: .250" (6.36mm)



**Figure 5**  
**Series 308/309 Solder Lug Terminals**



**Figure 6**  
**Series 308/309 Bushingless Trimmer**

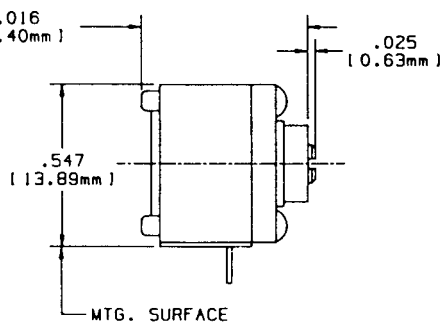
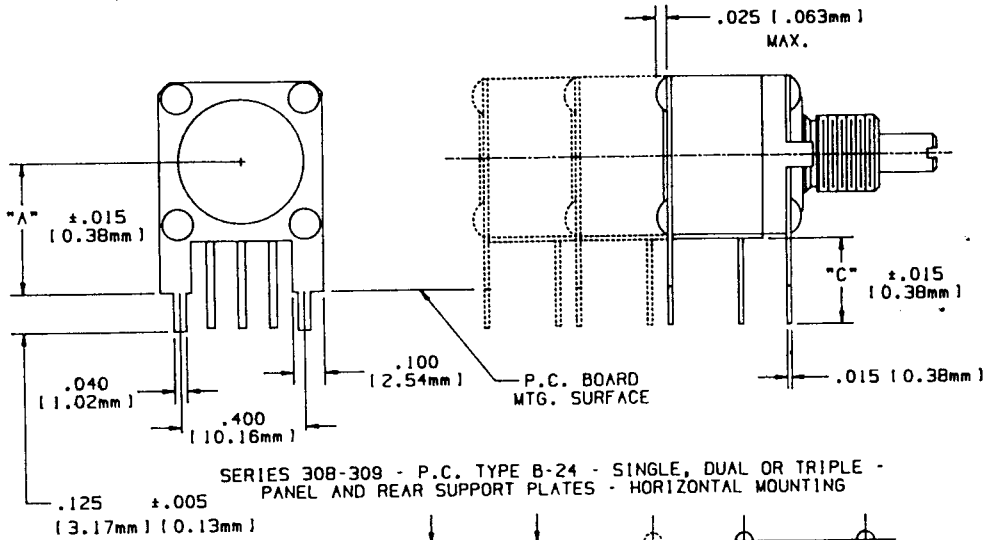


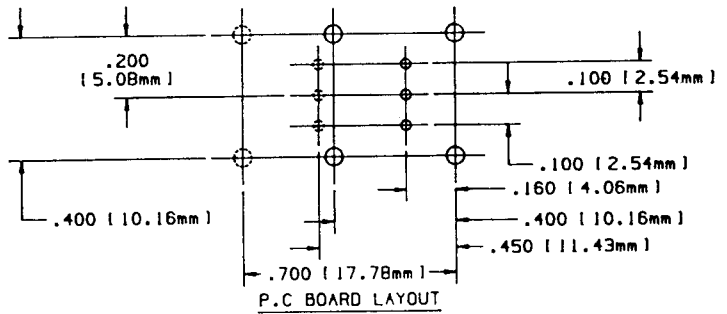
Figure 7

Series 308/309 Single, Dual, or Triple with Panel and Rear Support Plates, Horizontal Mounting



SERIES 308-309 - P.C. TYPE B-24 - SINGLE, DUAL OR TRIPLE - PANEL AND REAR SUPPORT PLATES - HORIZONTAL MOUNTING

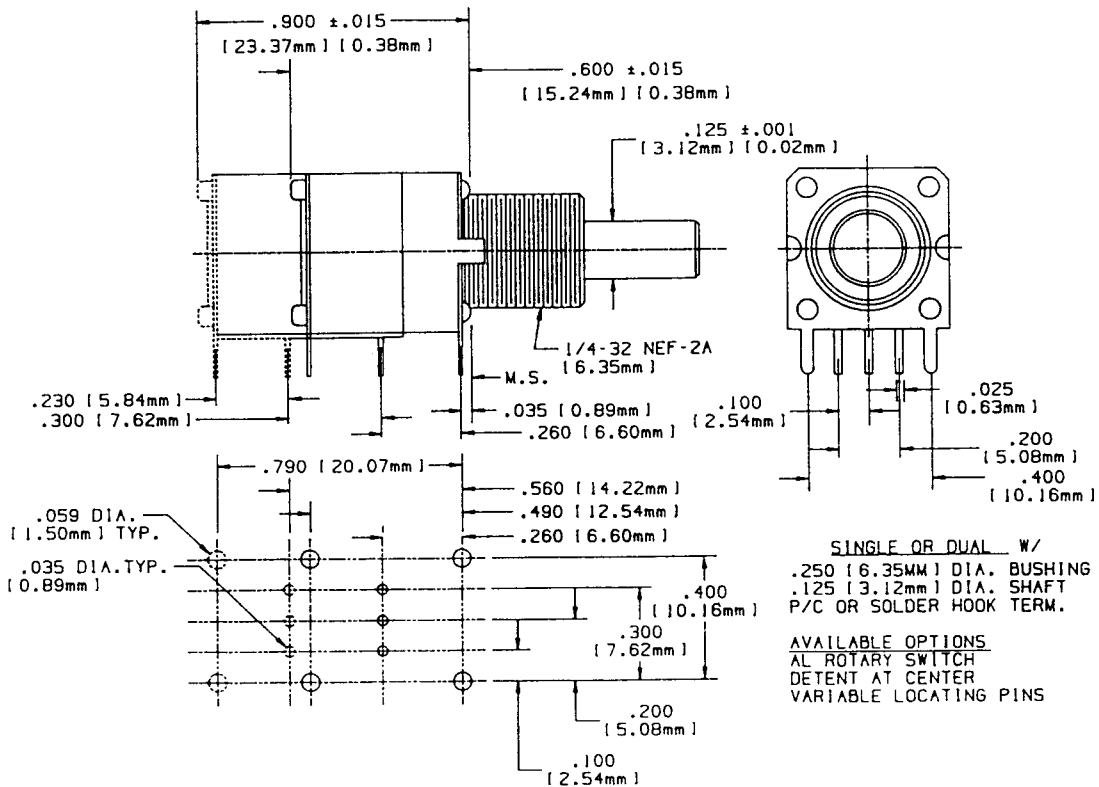
TYPE	"A" PLATE	"C" TERMINAL
B24A-1	.375 (9.52mm)	.250 STD. (6.35mm)
B24A-2	.500 (12.70mm)	.375 (9.52mm)
B24A-3	.625 (15.87mm)	.500 (12.70mm)
B24A-4	.750 (19.05mm)	.625 (15.87mm)
B24A-5	.255 (6.47mm)	.125 (3.17mm)
B24A-6	.300 (7.62mm)	.175 (4.44mm)
B24A-7	.437 (11.10mm)	.315 (8.00mm)
B24A-8	.562 (14.27mm)	.425 (10.79mm)



\* NOT USED AS MTG. SURFACE, PROVIDES STABILITY ONLY FOR P.C. BOARD MTG.

Figure 8

Series 308/309 Single or Dual with Center Detent



SINGLE OR DUAL W/  
 .250 (6.35mm) DIA. BUSHING  
 .125 (3.12mm) DIA. SHAFT  
 P/C OR SOLDER HOOK TERM.

AVAILABLE OPTIONS  
 AL ROTARY SWITCH  
 DETENT AT CENTER  
 VARIABLE LOCATING PINS

Figure 9

Series 308/309 Single or Dual with Center Detent

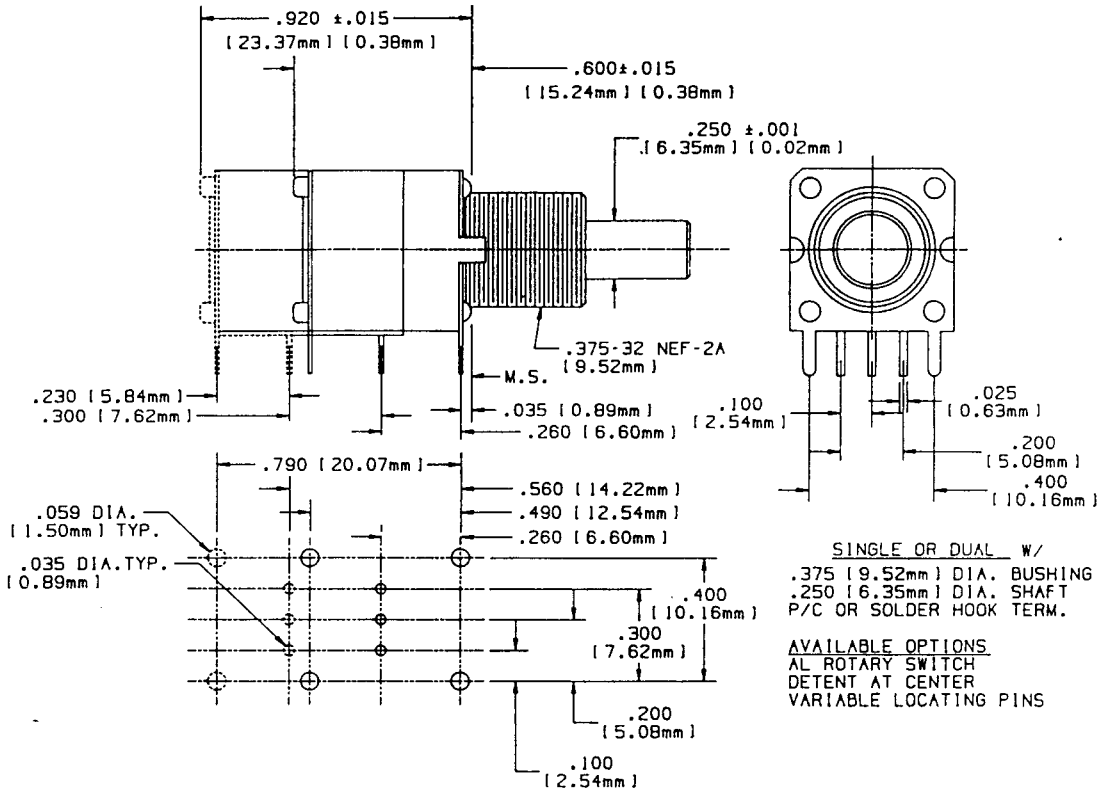


Figure 10

Series 308/309 Single, Dual or Triple with High Rotational Torque

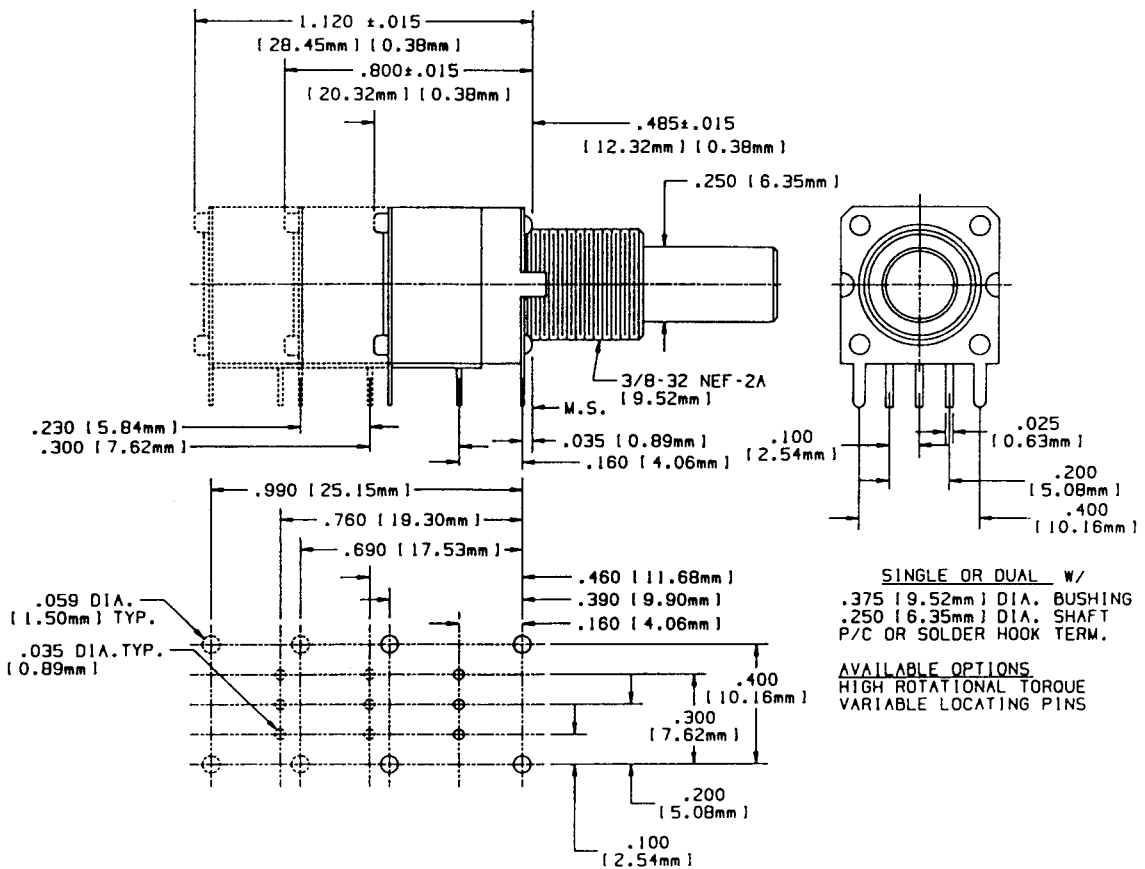






Figure 14

Series 308/309 Type C - 8A Printed Circuit Terminals

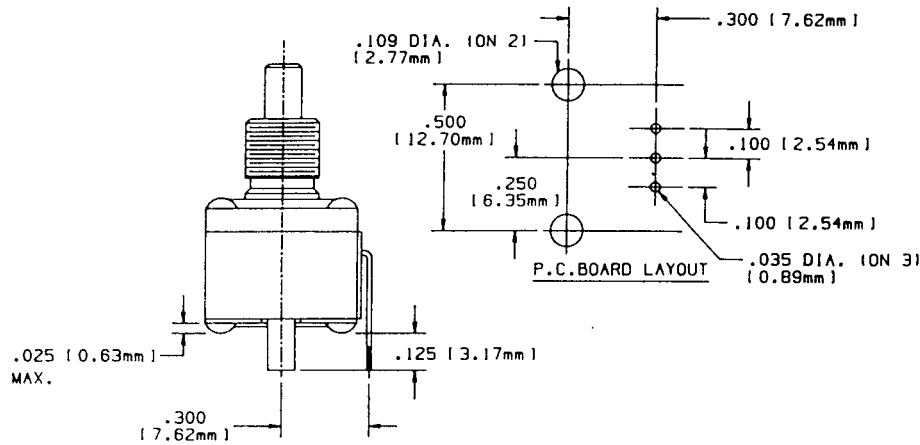
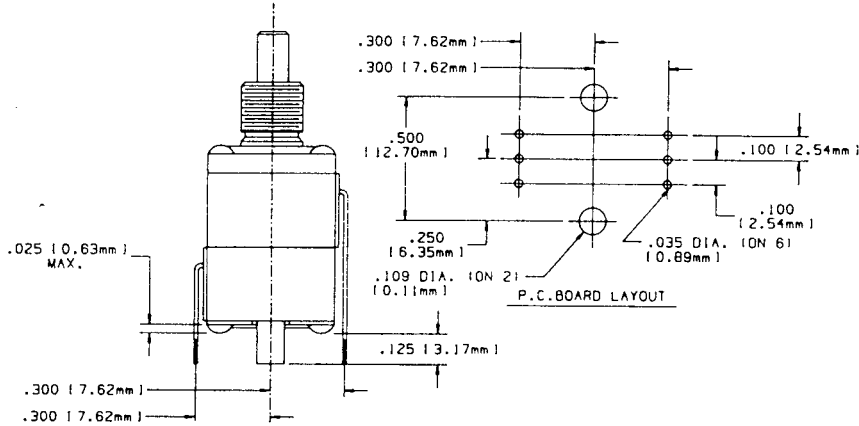


Figure 15

Series 308/309 Type C - 9A Printed Circuit Terminals



Series 308/309 Standard Resistance Values

Stock Values (Ohms)

<b>308N</b>				
100	1000	10K	100K	1Meg
250	2500	25K	250K	1.5Meg
500	5000	50K	500K	5Meg
<b>308N - PC</b>				
100	1000	10K	100K	1Meg
250	2500	25K	250K	2.5Meg
500	5000	50K	500K	5Meg
<b>308L</b>				
500	10K	100K		
1000	25K	250K		
5000	50K	500K		
<b>309N</b>				
100	10K	10K	100K	1Meg
250	25K	25K	250K	2.5Meg
500	50K	50K	500K	5Meg

309L/D308/T308/D309/T309

Please consult factory for price and delivery.

Series 308/309 How To Order

Example: **D308-N-PPS-100-Z**

**D308**

- Series**  
 308 = Single  
 Conductive Plastic -  
 1/2 watt  
 D308 = Dual  
 Conductive Plastic -  
 1/2 watt  
 T308 = Triple  
 Conductive Plastic -  
 1/2 watt  
 309 = Single  
 Cermet - 1 watt  
 D309 = Dual  
 Cermet - 1 watt  
 T309 = Triple  
 Cermet - 1 watt

**N**

**S**

**100K**

**Z**

**Resistance Value**  
(Ohms)

**Taper**  
 Z = Log  
 RZ = Reverse Log  
 S = Linear

**Switches**

- S = Rotary switch S.P.D.T.  
 PM = Push Momentary S.P.S.T.  
 PPS = Push/pull switch S.P.D.T.  
 No switch requirement = Blank

**Shaft & Bushing**

- N = Shaft: 1/8 in. (3.18mm) diameter x 3/4 in. (19.05mm) FMS screwdriver slotted  
 Bushing: 1/4 in. (6.35mm) diameter x 1/4 in. (6.35mm) length  
 L = Shaft: 1/8 in. (3.17mm) diameter x 7/16 in. (11.11mm) FMS screw driver slotted  
 Locking Bushing: 3/8 in. (9.52mm) x 1/4 in. (6.35mm) - 32-NEF 2A thread



**CLAROSTAT**  
 1 Washington St.,  
 P.O. Box 1507  
 Dover, NH 03820-1507  
 603-742-1120  
 FAX 603-742-0481