



Chipsmall Limited consists of a professional team with an average of over 10 year of expertise in the distribution of electronic components. Based in Hongkong, we have already established firm and mutual-benefit business relationships with customers from,Europe,America and south Asia,supplying obsolete and hard-to-find components to meet their specific needs.

With the principle of “Quality Parts,Customers Priority,Honest Operation,and Considerate Service”,our business mainly focus on the distribution of electronic components. Line cards we deal with include Microchip,ALPS,ROHM,Xilinx,Pulse,ON,Everlight and Freescale. Main products comprise IC,Modules,Potentiometer,IC Socket,Relay,Connector.Our parts cover such applications as commercial,industrial, and automotives areas.

We are looking forward to setting up business relationship with you and hope to provide you with the best service and solution. Let us make a better world for our industry!



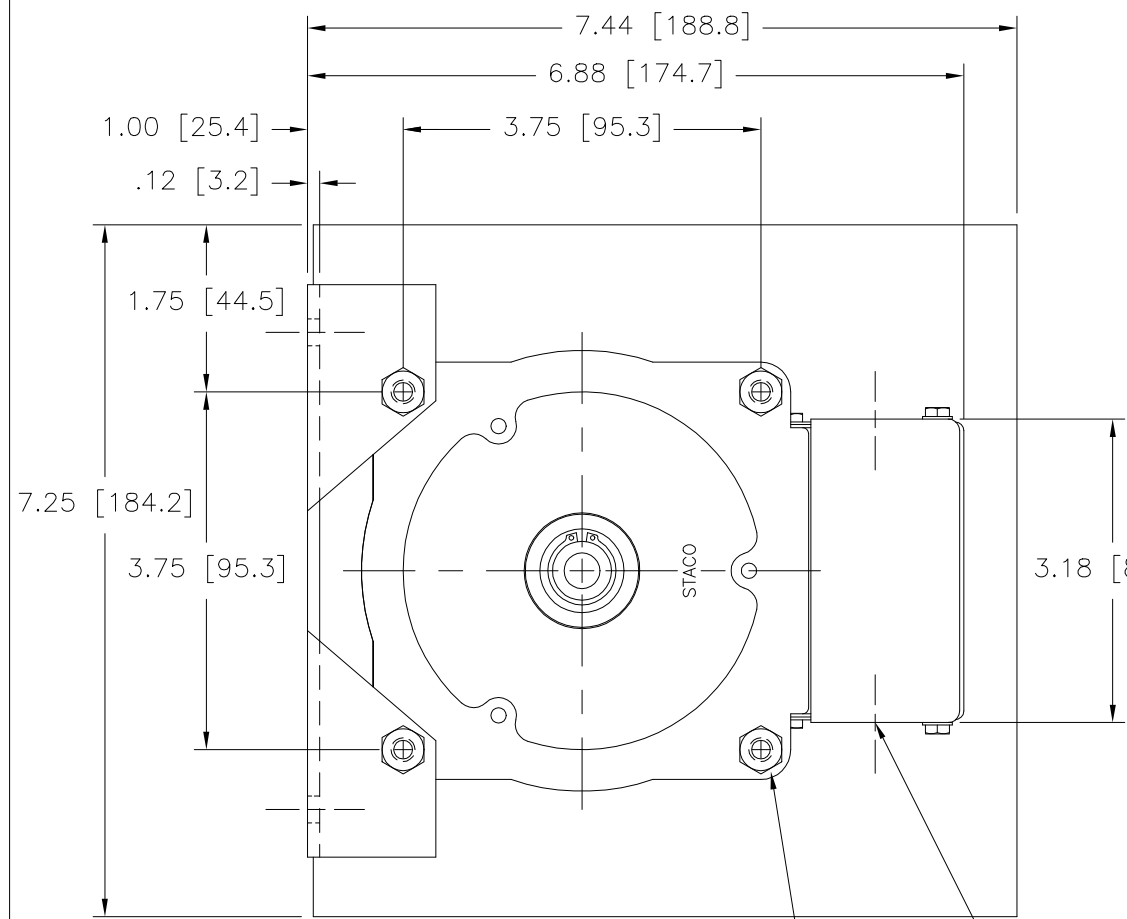
Contact us

Tel: +86-755-8981 8866 Fax: +86-755-8427 6832

Email & Skype: info@chipsmall.com Web: www.chipsmall.com

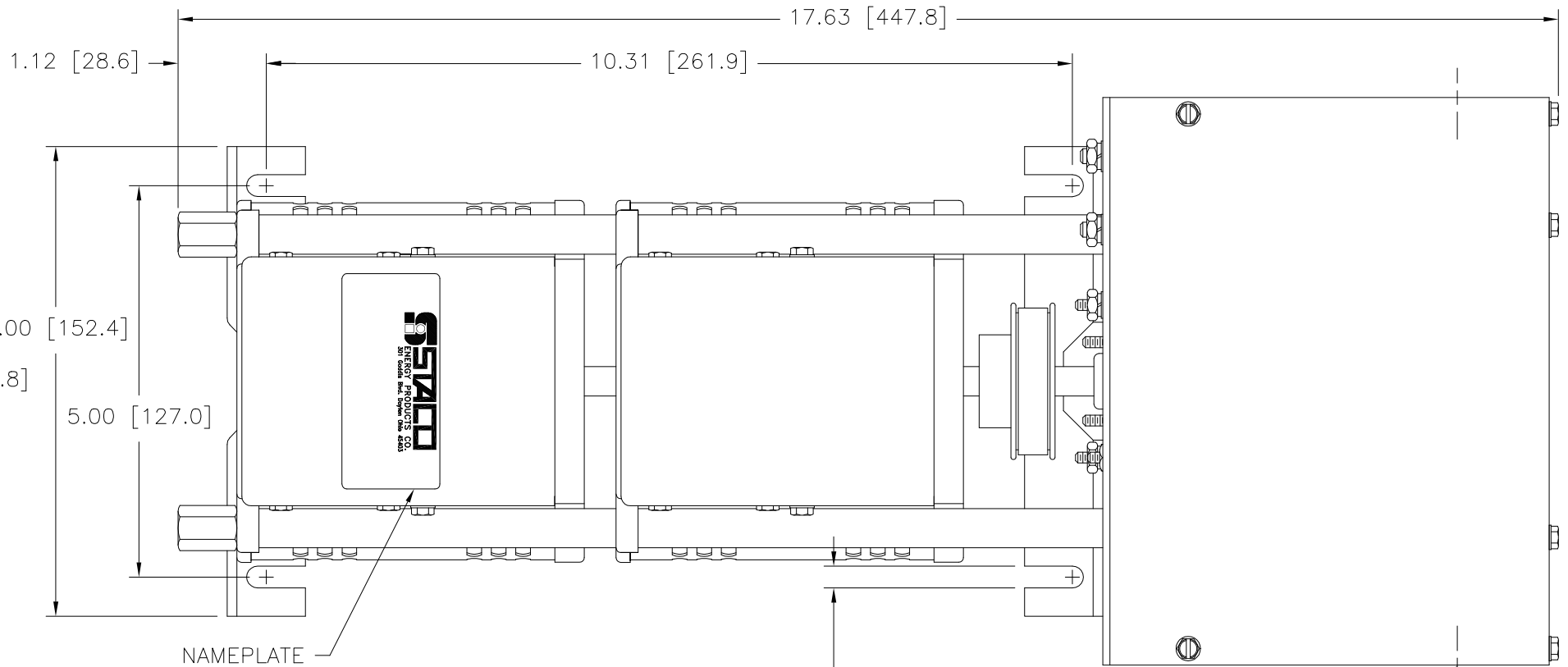
Address: A1208, Overseas Decoration Building, #122 Zhenhua RD., Futian, Shenzhen, China





(4) STANDOFFS TAPPED
 1/4-28 X .38 [9.5] DEEP
 FOR MOUNTING BOLTS

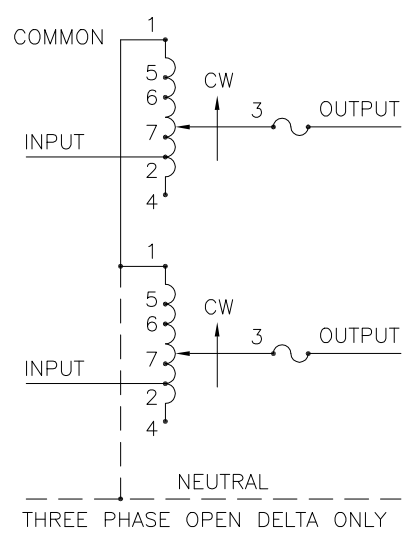
.88 [22.2] DIA. KNOCKOUT
 (4) PLACES FOR
 WIRING CONNECTIONS



NAMEPLATE

.28 [7.1]
 (4) PLACES FOR
 CUSTOMER MOUNTING

.88 [22.2] DIA. KNOCKOUT
 (4) PLACES FOR
 MOTOR CONNECTIONS



SCHEMATIC
 THREE PHASE OPEN DELTA AND SINGLE
 PHASE SERIES. FUSE RECOMMENDED BUT
 NOT SUPPLIED.

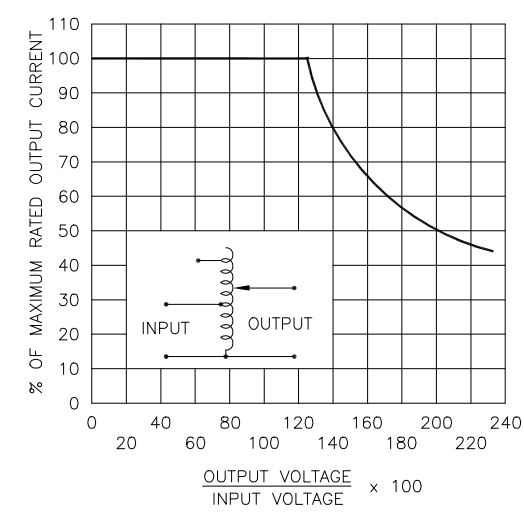
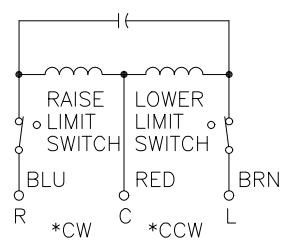


FIGURE A
 MAXIMUM OUTPUT CURRENT OF ANY
 DUAL INPUT VOLTAGE OR VOLTAGE DOUBLER
 UNIT OPERATED AT LOWER INPUT VOLTAGE.



MOTOR CIRCUIT
 120V, 50/60 HZ
 * ROTATION AS VIEWED
 FROM MOTOR END
 MOTOR SPEED: SEE CHART

- # MAXIMUM OUTPUT CURRENT IN OUTPUT VOLTAGE RANGE FROM 0 TO 25% ABOVE LINE VOLTAGE. AT HIGHER OUTPUT VOLTAGES, THE OUTPUT CURRENT MUST BE REDUCED ACCORDING TO THE DERATING CURVE FIGURE A.
- S MAXIMUM KVA AT MAXIMUM OUTPUT VOLTAGE AND CORRESPONDING DERATED OUTPUT CURRENT. MAXIMUM KVA FOR LOWER VOLTAGES MAY BE CALCULATED FROM DERATING CURVE FIGURE A.
- ∏ IF GANGED UNITS ARE USED IN A SYSTEM THAT ORDINARILY HAS A COMMON NEUTRAL OR GROUND BETWEEN SOURCE AND LOAD, THE NEUTRAL OR GROUND MUST BE CONNECTED TO THE COMMON TERMINALS OF THE VARIABLE TRANSFORMER ASSEMBLY. IF THE SYSTEM HAS NO NEUTRAL, THE LOAD MUST BE BALANCED OR THE TRANSFORMER WILL BE DAMAGED.
- JUMPER PROVIDED IN STANDARD COMMON POSITION AND SHOULD BE MOVED OR REMOVED AS REQUIRED.
- ++ LINE TO LINE VOLTAGE.
- + MOTOR DRIVEN UNITS USE TERMINAL CONNECTIONS FOR CCW INCREASING VOLTAGE AS VIEWED FROM BASE END.

SPEED (SECONDS)	MODEL NUMBER
5	5M1020BCT-2
15	15M1020BCT-2
30	30M1020BCT-2
60	60M1020BCT-2

SPECIFICATIONS											
WIRING	INPUT		OUTPUT				SHAFT ROTATION TO INCREASE VOLTAGE	TERMINAL CONNECTIONS			
	VOLTS	HERTZ	VOLTS	CONSTANT CURRENT LOAD		CONSTANT IMPEDANCE LOAD		FOR INCREASING VOLTAGE AS VIEWED FROM BASE END +			
				MAX. AMPS	MAX. KVA	MAX. AMPS	MAX. KVA	INPUT	JUMPER	OUTPUT	
SINGLE PHASE SERIES	480	50/60	0-480	3.5	1.68	5.0	2.4	CW	1-1	4-4	3-3
			0-560	3.5	1.96	—	—	CCW	4-4	1-1	3-3
	240	50/60	0-560	3.5#	0.84	—	—	CW	5-5	4-4	3-3
			0-280	3.5	1.70	—	—	CCW	2-2	1-1	3-3
THREE PHASE OPEN DELTA	240	50/60	0-240	3.5	1.45	5.0	2.08	CW	6-6	1-1	3-3
			0-280	3.5	1.70	—	—	CCW	1-4-1	4-4	3-4-3
	120	50/60	0-280	3.5#	0.73	—	—	CW	4-1-4	1-1	3-1-3
			0-280	3.5	1.70	—	—	CCW	5-4-5	4-4	3-4-3
	++	50/60	0-280	3.5#	0.73	—	—	CW	2-1-2	1-1	3-1-3
			0-280	3.5#	0.73	—	—	CCW	7-4-7	4-4	3-4-3
							CCW	6-1-6	1-1	3-1-3	

UNLESS OTHERWISE SPECIFIED, TOLERANCE IS # DECIMALS .005 HOLES .002 ANGLES 1° DRAFT 1-1/2° UNITS IN [mm]
 MATERIAL: ALL DIMENSIONS APPLY AFTER PLATING
 TITLE: SPEC. CONTROL DRAWING
 MOTORIZED VARIABLE XFMR
 MODEL: M1020BCT-2
 DRAWN BY: S.A. SMITH DATE: 9/24/97 FIRST USED ON: DO NOT SCALE DWG. CUSTOMER APPROVAL: DATE:
 CHECKER: DATE: WEIGHT APPROX. 30.75 LBS. CODE IDENT. NO. 83008 DWG. NO. 031-2540
 ENGINEER: DATE: SCALE 1=1 SHEET 1 OF 1

