



Chipsmall Limited consists of a professional team with an average of over 10 year of expertise in the distribution of electronic components. Based in Hongkong, we have already established firm and mutual-benefit business relationships with customers from,Europe,America and south Asia,supplying obsolete and hard-to-find components to meet their specific needs.

With the principle of “Quality Parts,Customers Priority,Honest Operation,and Considerate Service”,our business mainly focus on the distribution of electronic components. Line cards we deal with include Microchip,ALPS,ROHM,Xilinx,Pulse,ON,Everlight and Freescale. Main products comprise IC,Modules,Potentiometer,IC Socket,Relay,Connector.Our parts cover such applications as commercial,industrial, and automotives areas.

We are looking forward to setting up business relationship with you and hope to provide you with the best service and solution. Let us make a better world for our industry!



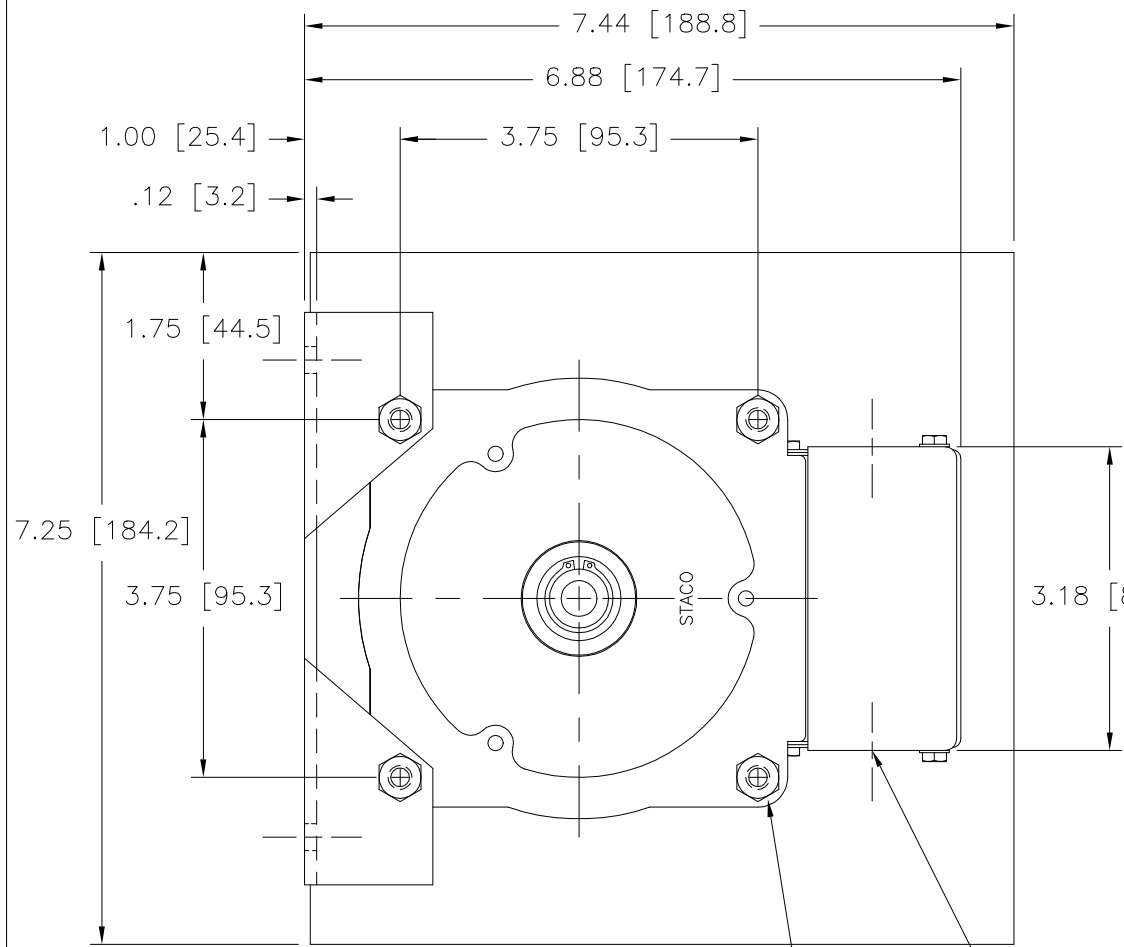
Contact us

Tel: +86-755-8981 8866 Fax: +86-755-8427 6832

Email & Skype: info@chipsmall.com Web: www.chipsmall.com

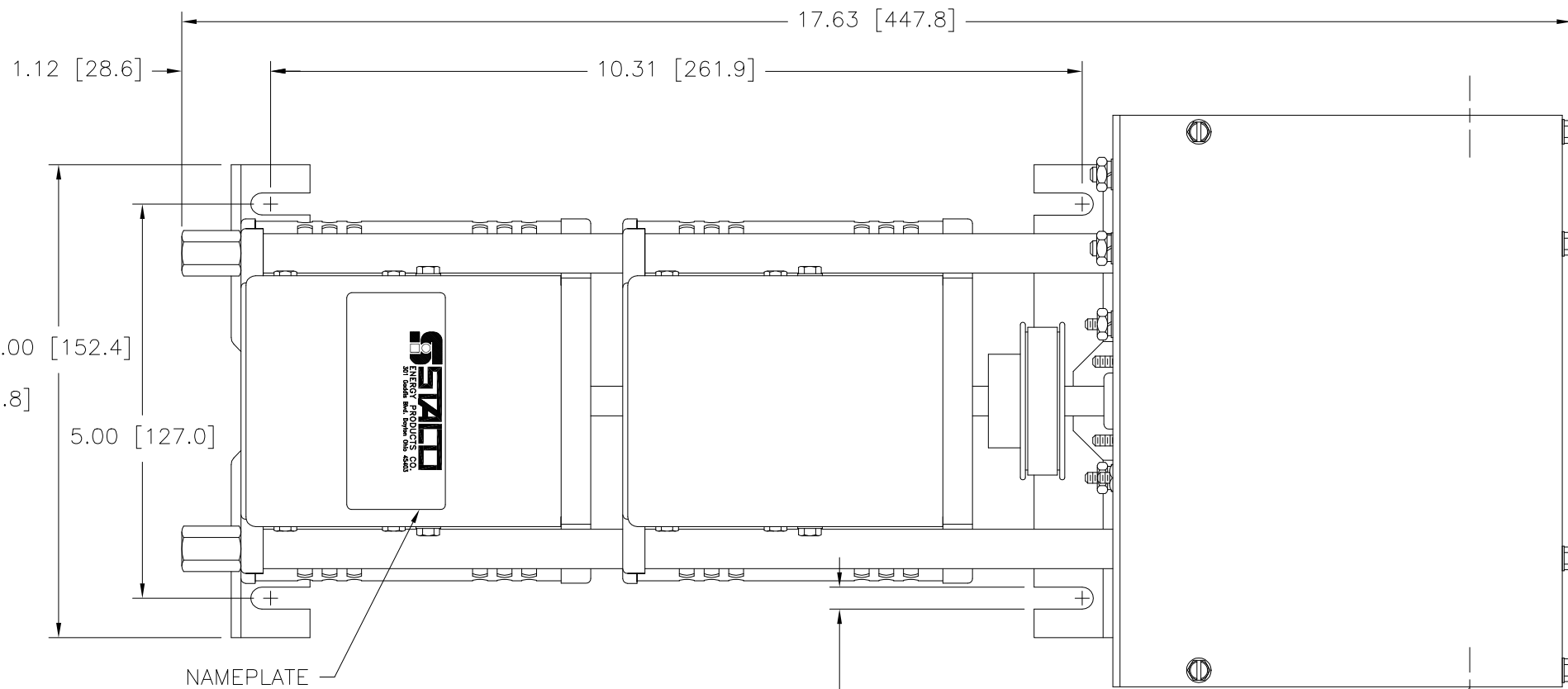
Address: A1208, Overseas Decoration Building, #122 Zhenhua RD., Futian, Shenzhen, China





(4) STANDOFFS TAPPED
 1/4-28 X .38 [9.5] DEEP
 FOR MOUNTING BOLTS

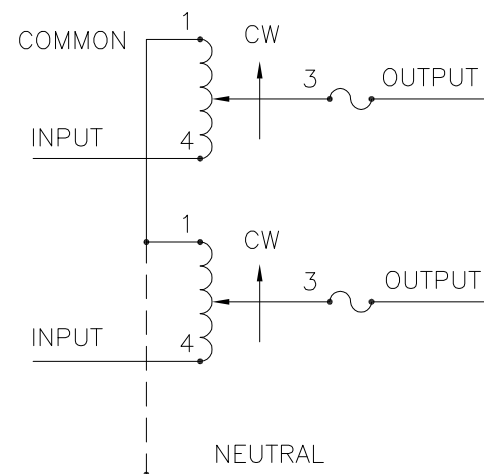
.88 [22.2] DIA. KNOCKOUT
 (4) PLACES FOR
 WIRING CONNECTIONS



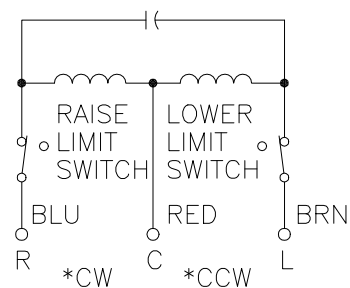
NAMEPLATE

.28 [7.1]
 (4) PLACES FOR
 CUSTOMER MOUNTING

.88 [22.2] DIA. KNOCKOUT
 (4) PLACES FOR
 MOTOR CONNECTIONS



THREE PHASE OPEN DELTA ONLY



MOTOR CIRCUIT

120V, 50/60 HZ
 * ROTATION AS VIEWED
 FROM MOTOR END

MOTOR SPEED: SEE CHART

- + MOTOR DRIVEN UNITS USE TERMINAL CONNECTIONS FOR CCW INCREASING VOLTAGE, AS VIEWED FROM BASE END.
- π IF GANGED UNITS ARE USED IN A SYSTEM THAT ORDINARILY HAS A COMMON NEUTRAL OR GROUND BETWEEN SOURCE AND LOAD, THE NEUTRAL OR GROUND MUST BE CONNECTED TO THE COMMON TERMINALS OF THE VARIABLE TRANSFORMER ASSEMBLY. IF THE SYSTEM HAS NO NEUTRAL, THE LOAD MUST BE BALANCED OR THE TRANSFORMER WILL BE DAMAGED.
- JUMPER PROVIDED IN STANDARD COMMON POSITION AND SHOULD BE MOVED OR REMOVED AS REQUIRED.
- ++ LINE TO LINE VOLTAGE.

WIRING	INPUT		OUTPUT				SHAFT ROTATION TO INCREASE VOLTAGE	TERMINAL CONNECTIONS			
	VOLTS	HERTZ	VOLTS	CONSTANT CURRENT LOAD		CONSTANT IMPEDANCE LOAD		FOR INCREASING VOLTAGE AS VIEWED FROM BASE END +			
				MAX. AMPS	MAX. KVA	MAX. AMPS		MAX. KVA	INPUT	JUMPER	OUTPUT
SINGLE PHASE SERIES	240	60	0-240	12	2.88	15	3.60	CW	1-1	4-4	3-3
THREE PHASE OPEN DELTA π	120	60	0-120	12	2.49	15	3.12	CW	1-4-1	4-4	3-4-3
								CCW	4-1-4	1-1	3-1-3

SPEED (SECONDS)	MODEL NUMBER
5	5M1210BCT-2
15	15M1210BCT-2
30	30M1210BCT-2
60	60M1210BCT-2

UNLESS OTHERWISE SPECIFIED, TOLERANCE IS # DECIMALS HOLES .002 ANGLES DRAFT 1° 1-1/2° UNITS IN [mm]

MATERIAL: ALL DIMENSIONS APPLY AFTER PLATING

TITLE: SPEC. CONTROL DRAWING
 MOTORIZED VARIABLE XFMR
 MODEL: M1210BCT-2

DRAWN BY: S.A. SMITH DATE: 9/25/97 FIRST USED ON: DO NOT SCALE DWG. CUSTOMER APPROVAL: DATE:

CHECKER: DATE: WEIGHT APPROX. 30.75 LBS CODE IDENT. NO. 83008 DWG. NO. 031-3200

ENGINEER: DATE: SCALE 1=1 SHEET 1 OF 1

SCHEMATIC
 THREE PHASE OPEN DELTA AND SINGLE
 PHASE SERIES. FUSE RECOMMENDED BUT
 NOT SUPPLIED.

