



Chipsmall Limited consists of a professional team with an average of over 10 year of expertise in the distribution of electronic components. Based in Hongkong, we have already established firm and mutual-benefit business relationships with customers from,Europe,America and south Asia,supplying obsolete and hard-to-find components to meet their specific needs.

With the principle of "Quality Parts,Customers Priority,Honest Operation,and Considerate Service",our business mainly focus on the distribution of electronic components. Line cards we deal with include Microchip,ALPS,ROHM,Xilinx,Pulse,ON,Everlight and Freescale. Main products comprise IC,Modules,Potentiometer,IC Socket,Relay,Connector.Our parts cover such applications as commercial,industrial, and automotives areas.

We are looking forward to setting up business relationship with you and hope to provide you with the best service and solution. Let us make a better world for our industry!



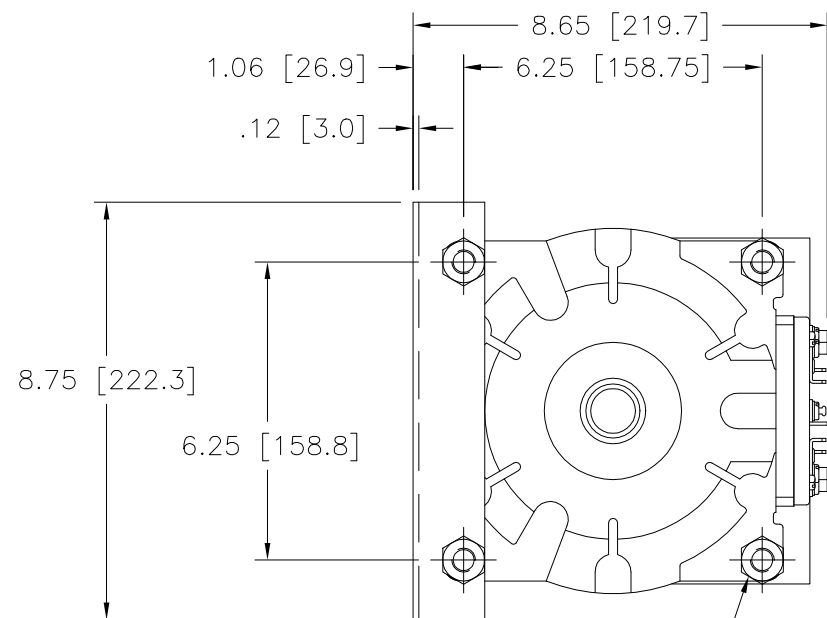
Contact us

Tel: +86-755-8981 8866 Fax: +86-755-8427 6832

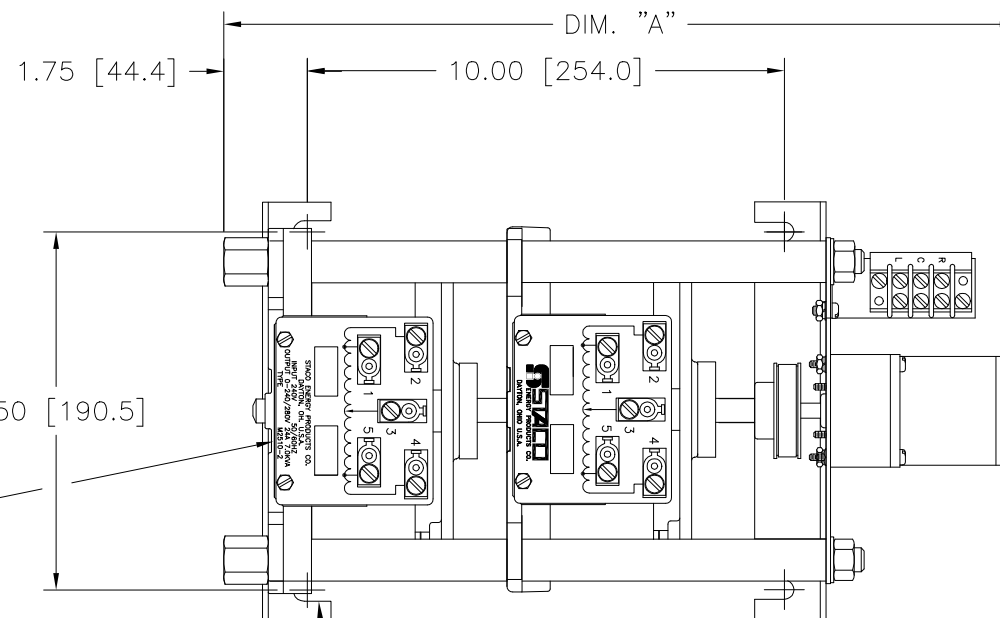
Email & Skype: info@chipsmall.com Web: www.chipsmall.com

Address: A1208, Overseas Decoration Building, #122 Zhenhua RD., Futian, Shenzhen, China

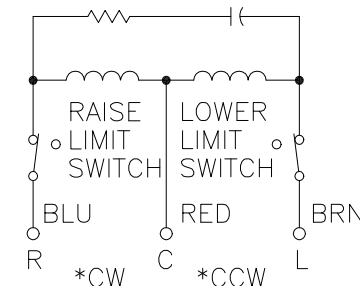




STANDOFFS TAPPED
 1/2-13 X .50 [12.7]
 DEEP FOR MTG. BOLTS
 (4) PLACES

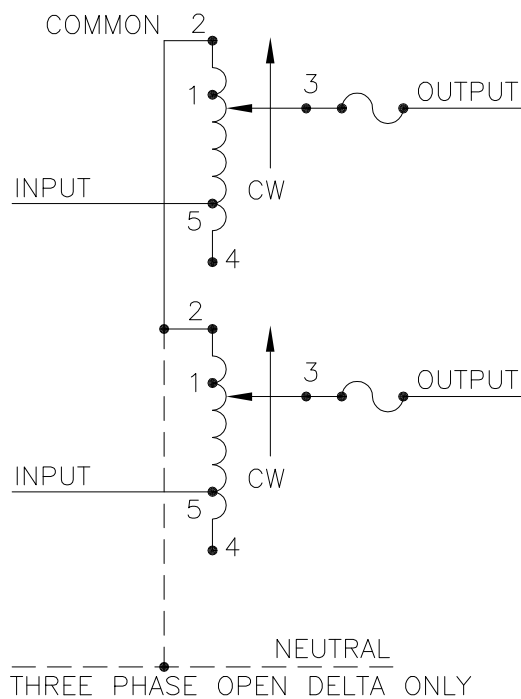


.41 [10.3] WIDE
 MOUNTING SLOTS
 (4) PLACES

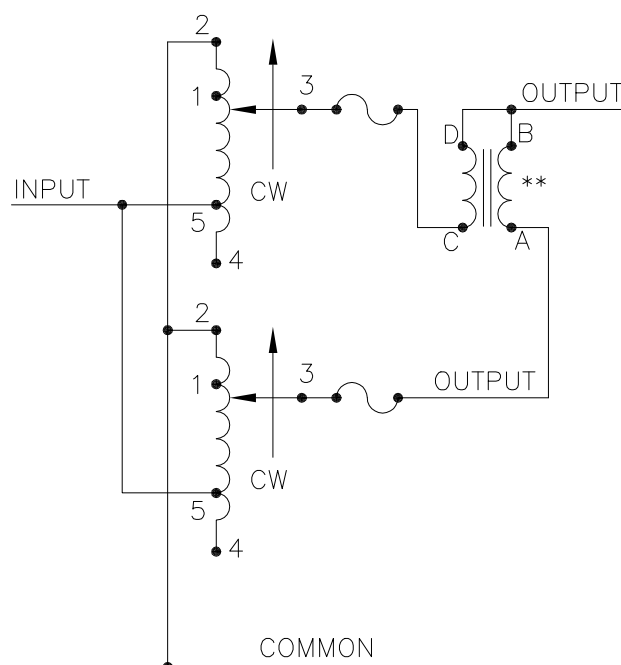


MOTOR CIRCUIT
 120V, 50/60 HZ
 * ROTATION AS VIEWED
 FROM MOTOR END
 MOTOR SPEED: SEE CHART

SPEED (SECONDS)	MODEL NUMBER	DIM. "A"
5	5M2510-2	16.11 [409.1]
15	15M2510-2	16.11 [409.1]
30	30M2510-2	16.62 [422.1]
60	60M2510-2	16.62 [422.1]



SCHMATIC
 THREE PHASE OPEN DELTA AND SINGLE
 PHASE SERIES. FUSE RECOMMENDED BUT
 NOT SUPPLIED



SCHMATIC
 SINGLE PHASE PARALLEL
 FUSE RECOMMENDED BUT NOT SUPPLIED

⌘ IF GANGED UNITS ARE USED IN A SYSTEM THAT ORDINARILY HAS A COMMON NEUTRAL OR GROUND BETWEEN SOURCE AND LOAD, THE NEUTRAL OR GROUND MUST BE CONNECTED TO THE COMMON TERMINALS OF THE VARIABLE TRANSFORMER ASSEMBLY. IF THE SYSTEM HAS ON NEUTRAL, THE LOAD MUST BE BALANCED OR THE TRANSFORMERS WILL BE DAMAGED.

- JUMPER PROVIDED IN STANDARD COMMON POSITION AND SHOULD BE MOVED OR REMOVED AS REQUIRED.
- + + LINE TO LINE VOLTAGE.
- + MOTOR DRIVEN UNITS USE TERMINAL CONNECTIONS FOR C.C.W. INCREASING VOLTAGE AS VIEWED FROM BASE END.

** REQUIRES ONE 51LAC PARALLELING CHOKE (NOT SUPPLIED).

WIRING	INPUT		OUTPUT				SHAFT ROTATION TO INCREASE VOLTAGE	TERMINAL CONNECTIONS			
	VOLTS	HERTZ	VOLTS	CONSTANT CURRENT LOAD		CONSTANT IMPEDANCE LOAD		FOR INCREASING VOLTAGE AS VIEWED FROM BASE END			
				MAX. AMPS	MAX. KVA			MAX. AMPS	MAX. KVA	INPUT	JUMPER
** SINGLE PHASE PARALLEL	120	50/60	0-120	50	6.00	60	7.2	CW	2-2,4-4	—	4-B
			0-140	50	7.00	—	—	CCW	2-2,4-4	—	2-B
			0-240	25	6.00	30	7.2	CW	1-1,4-4	—	4-B
			0-280	25	7.00	—	—	CCW	5-5,2-2	—	2-B
SINGLE PHASE SERIES	240	50/60	0-240	25	6.00	30	7.2	CW	2-2	4-4	3-3
			0-280	25	7.00	—	—	CCW	4-4	2-2	3-3
			0-280	25	7.00	—	—	CCW	5-5	2-2	3-3
THREE PHASE OPEN DELTA ⌘	120	50/60	0-120	25	5.20	30	6.2	CW	2-4-2	4-4	3-4-3
			0-140	25	6.06	—	—	CCW	4-2-4	2-2	3-2-3
			0-140	25	6.06	—	—	CW	1-4-1	4-4	3-4-3

UNLESS OTHERWISE SPECIFIED, TOLERANCE IS # DECIMALS HOLES ANGLES DRAFT XX .0006 .01 1° 1-1/2° MATERIAL: ALL DIMENSIONS APPLY AFTER PLATING UNITS IN [mm]

TITLE: SPEC. CONTROL DRAWING MOTORIZED VARIABLE XFMR. TYPE: M2510-2

STACO ENERGY PRODUCTS CO. A COMPONENTS CORPORATION OF AMERICA COMPANY DAYTON, OHIO U.S.A.

DRAWN BY: TIM RAU DATE: 5/25/99 FIRST USED ON: DO NOT SCALE DWG. CUSTOMER APPROVAL: DATE:

CHECKER: DATE: WEIGHT APPROX. 60 LBS. CODE IDENT. NO. 83008 DWG. NO. 031-5133

ENGINEER: DATE: SCALE: .5=1 SHEET 1 OF 1 D