



Chipsmall Limited consists of a professional team with an average of over 10 year of expertise in the distribution of electronic components. Based in Hongkong, we have already established firm and mutual-benefit business relationships with customers from,Europe,America and south Asia,supplying obsolete and hard-to-find components to meet their specific needs.

With the principle of “Quality Parts,Customers Priority,Honest Operation,and Considerate Service”,our business mainly focus on the distribution of electronic components. Line cards we deal with include Microchip,ALPS,ROHM,Xilinx,Pulse,ON,Everlight and Freescale. Main products comprise IC,Modules,Potentiometer,IC Socket,Relay,Connector.Our parts cover such applications as commercial,industrial, and automotives areas.

We are looking forward to setting up business relationship with you and hope to provide you with the best service and solution. Let us make a better world for our industry!



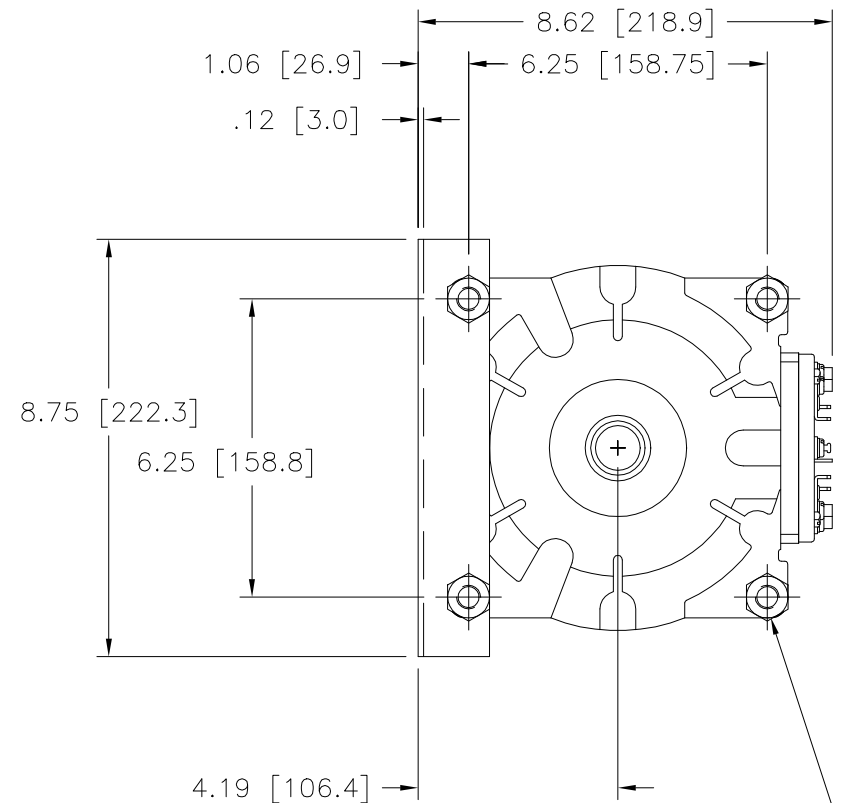
Contact us

Tel: +86-755-8981 8866 Fax: +86-755-8427 6832

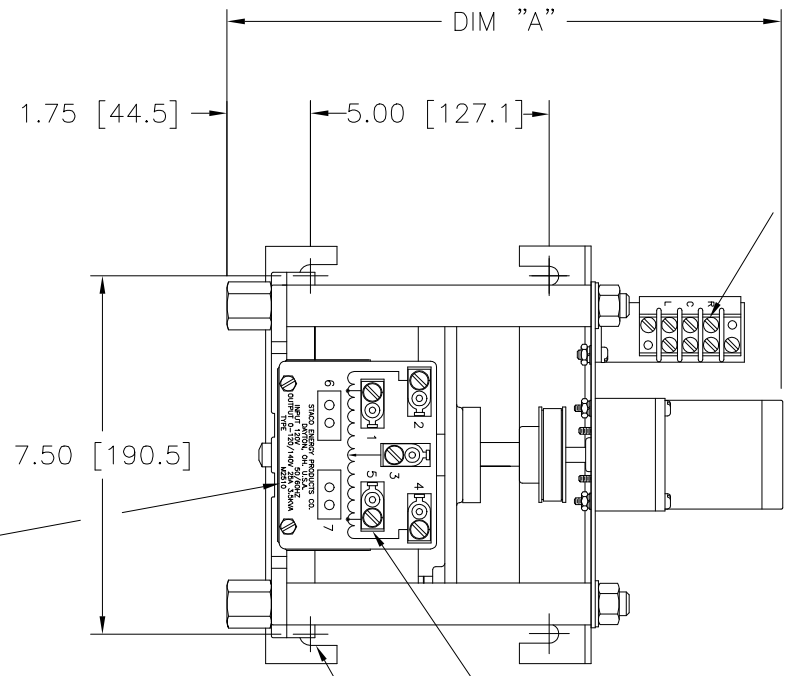
Email & Skype: info@chipsmall.com Web: www.chipsmall.com

Address: A1208, Overseas Decoration Building, #122 Zhenhua RD., Futian, Shenzhen, China





STANDOFFS TAPPED
 1/2-13 X .50 (12.7)
 DEEP FOR MTG. BOLTS
 (4) PLACES

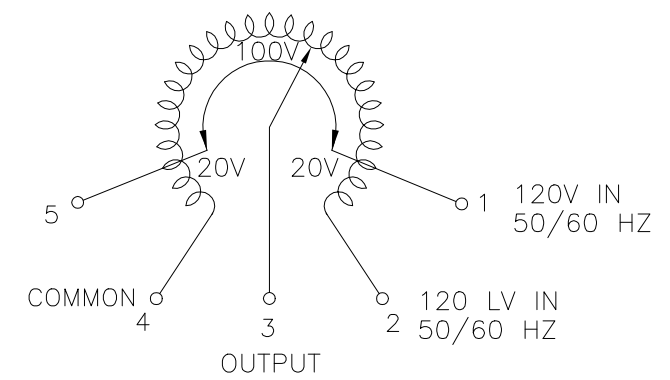


MARK SPEED PER
 BILL OF MATERIAL

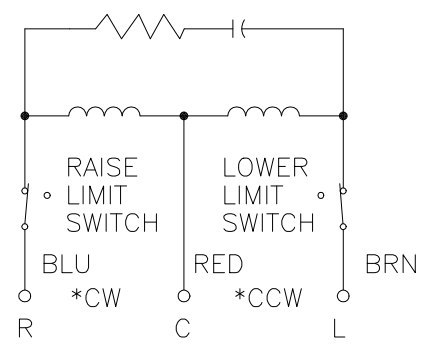
(4) SLOTS IN SUPPORTS
 FOR .38 [9.6] MTG. BOLTS

OPTIONAL TERMINALS FOR
 PUSH ON CONNECTIONS
 (.032 X .250) SUPPLIED

MOTOR DRIVE TERMINALS



SCHMATIC
 VIEW FROM BASE END



MOTOR CIRCUIT
 120V 50/60 HZ.
 MOTOR SPEED: SEE CHART
 * ROTATION AS VIEWED
 FROM MOTOR END

SPEED (SECONDS)	MODEL NUMBER	DIM "A"
5	5M2510	11.23 [285.2]
15	15M2510	11.23 [285.2]
30	30M2510	11.62 [295.1]
60	60M2510	11.62 [295.1]

WIRING	INPUT		OUTPUT				SHAFT ROTATION TO INCREASE VOLTAGE	TERMINAL CONNECTIONS			
	VOLTS	HERTZ	VOLTS	CONSTANT CURRENT LOAD		CONSTANT IMPEDANCE LOAD		FOR INCREASING VOLTAGE AS VIEWED FROM BASE END			
				MAX. AMPS	MAX. KVA	MAX. AMPS		MAX. KVA	INPUT	JUMPER	OUTPUT
SINGLE PHASE	120	50/60	0-120	25	3.00	30	3.6	CW	2-4	---	4-3
			0-140	25	3.50	---	---	CCW	2-4	---	2-3
								CW	1-4	---	4-3
								CCW	2-5	---	2-3

UNLESS OTHERWISE SPECIFIED, TOLERANCE IS # DECIMALS .XX .010 .002 HOLES .002 ANGLES 1° DRAFT 1-1/2° UNITS IN [mm]

MATERIAL: ALL DIMENSIONS APPLY AFTER PLATING

TITLE: SPEC. CONTROL DRAWING
 MOTORIZED VARIABLE XFMR.
 TYPE: M2510

STACO ENERGY PRODUCTS CO.
 A COMPONENTS CORPORATION OF AMERICA COMPANY
 DAYTON, OHIO U.S.A.

DRAWN BY TIM RAU	DATE 6/3/98	FIRST USED ON DO NOT SCALE DWG.	CUSTOMER APPROVAL DATE
CHECKER	DATE	WEIGHT APPROX. CODE IDENT. NO. 83008	DWG. NO. 031-5100
ENGINEER	DATE	SCALE .5=1	SHEET 1 OF 1