



Chipsmall Limited consists of a professional team with an average of over 10 year of expertise in the distribution of electronic components. Based in Hongkong, we have already established firm and mutual-benefit business relationships with customers from,Europe,America and south Asia,supplying obsolete and hard-to-find components to meet their specific needs.

With the principle of “Quality Parts,Customers Priority,Honest Operation,and Considerate Service”,our business mainly focus on the distribution of electronic components. Line cards we deal with include Microchip,ALPS,ROHM,Xilinx,Pulse,ON,Everlight and Freescale. Main products comprise IC,Modules,Potentiometer,IC Socket,Relay,Connector.Our parts cover such applications as commercial,industrial, and automotives areas.

We are looking forward to setting up business relationship with you and hope to provide you with the best service and solution. Let us make a better world for our industry!



Contact us

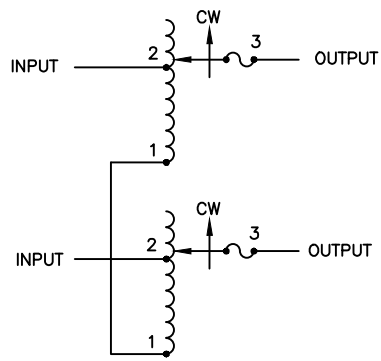
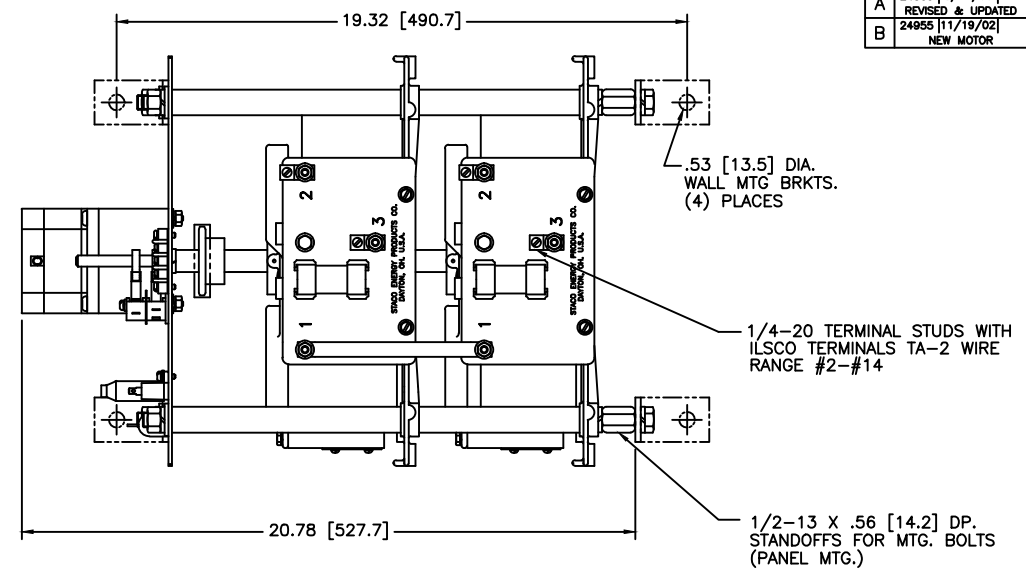
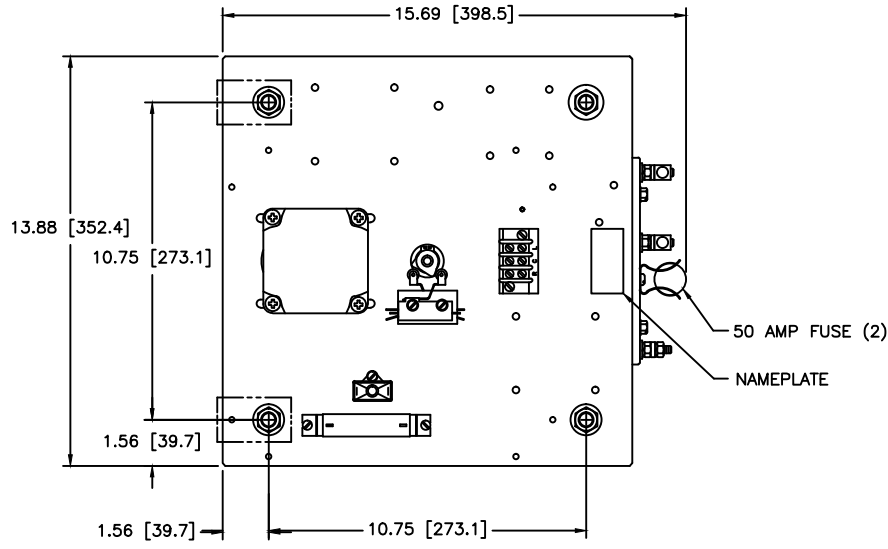
Tel: +86-755-8981 8866 Fax: +86-755-8427 6832

Email & Skype: info@chipsmall.com Web: www.chipsmall.com

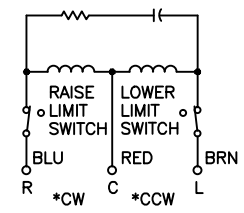
Address: A1208, Overseas Decoration Building, #122 Zhenhua RD., Futian, Shenzhen, China



REV. NO.	031-6237		
REVISIONS			
REV.	DATE	BY	APP.
A	24309 8/11/00		
REVISED & UPDATED			
B	24955 11/19/02		
NEW MOTOR			



SCHMATIC



120V, 50/60 HZ.
 ** ROTATION AS VIEWED FROM MOTOR END
 SPEED: SEE CHART

MOTOR CIRCUIT

SPEED (SECONDS)	MODEL NO.
15	15M5011-2S
30	30M5011-2S
60	60M5011-2S

SPECIFICATIONS								
WIRING	INPUT		OUTPUT			SHAFT ROTATION FOR INCREASE VOLTAGE	TERMINAL CONNECTIONS FOR INCREASING VOLTAGE AS VIEWED FROM ROTOR END	
	VOLTS	HERTZ	VOLTS	MAX. AMPS	MAX. KVA		INPUT	OUTPUT
SINGLE PHASE SERIES	240	50/60	0-280	50	14.0	CW	2-2	3-3

UNLESS OTHERWISE SPECIFIED, DRAWING IS A STANDARD DRAWING OF THE COMPANY'S DESIGN. ALL DIMENSIONS ARE IN INCHES UNLESS OTHERWISE SPECIFIED.

DATE: 1/9/97

SCALE: .5=1

REV. NO. D 031-6237

STAG ENERGY PRODUCTS CO.