



Chipsmall Limited consists of a professional team with an average of over 10 year of expertise in the distribution of electronic components. Based in Hongkong, we have already established firm and mutual-benefit business relationships with customers from,Europe,America and south Asia,supplying obsolete and hard-to-find components to meet their specific needs.

With the principle of "Quality Parts,Customers Priority,Honest Operation,and Considerate Service",our business mainly focus on the distribution of electronic components. Line cards we deal with include Microchip,ALPS,ROHM,Xilinx,Pulse,ON,Everlight and Freescale. Main products comprise IC,Modules,Potentiometer,IC Socket,Relay,Connector.Our parts cover such applications as commercial,industrial, and automotives areas.

We are looking forward to setting up business relationship with you and hope to provide you with the best service and solution. Let us make a better world for our industry!



## Contact us

Tel: +86-755-8981 8866 Fax: +86-755-8427 6832

Email & Skype: info@chipsmall.com Web: www.chipsmall.com

Address: A1208, Overseas Decoration Building, #122 Zhenhua RD., Futian, Shenzhen, China



DWG. NO.	032-7616		
REVISIONS			
SYM.	E.C.N.	DATE	APVD.
A	23385	4/26/97	
REVISED & UPDATED			
B	23396	5/12/97	
REVISED & UPDATED			
C	24431	12/21/00	
REVISED & UPDATED			
D	24955	11/20/02	
NEW MOTOR			

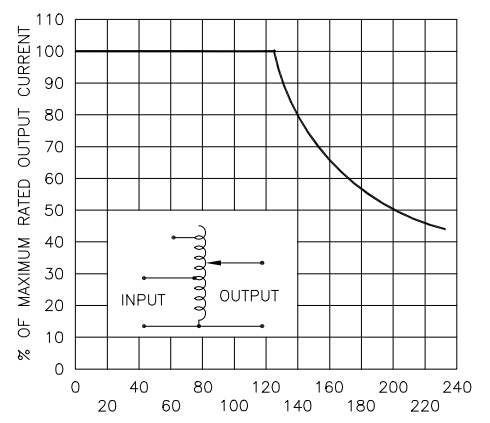
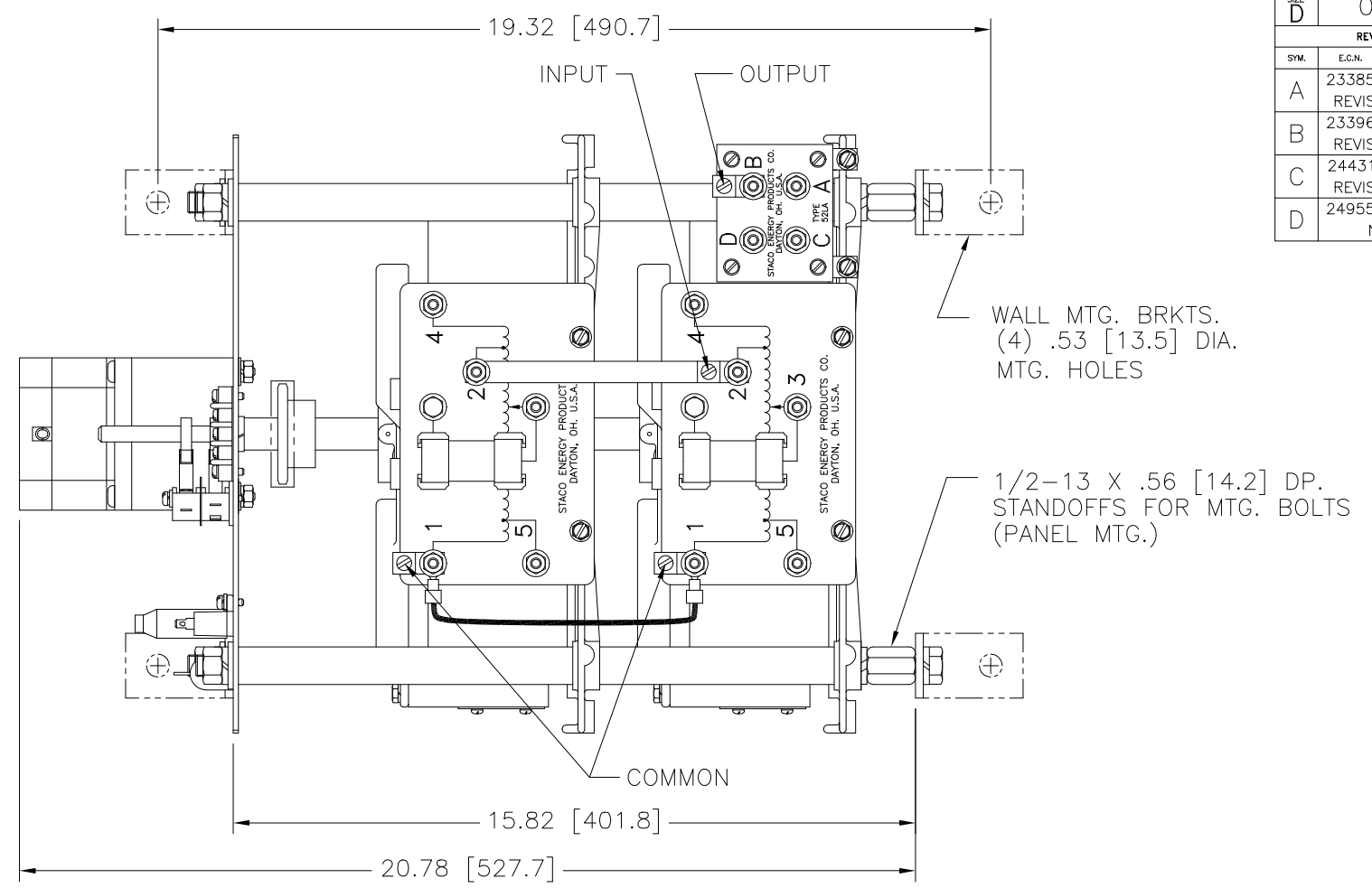
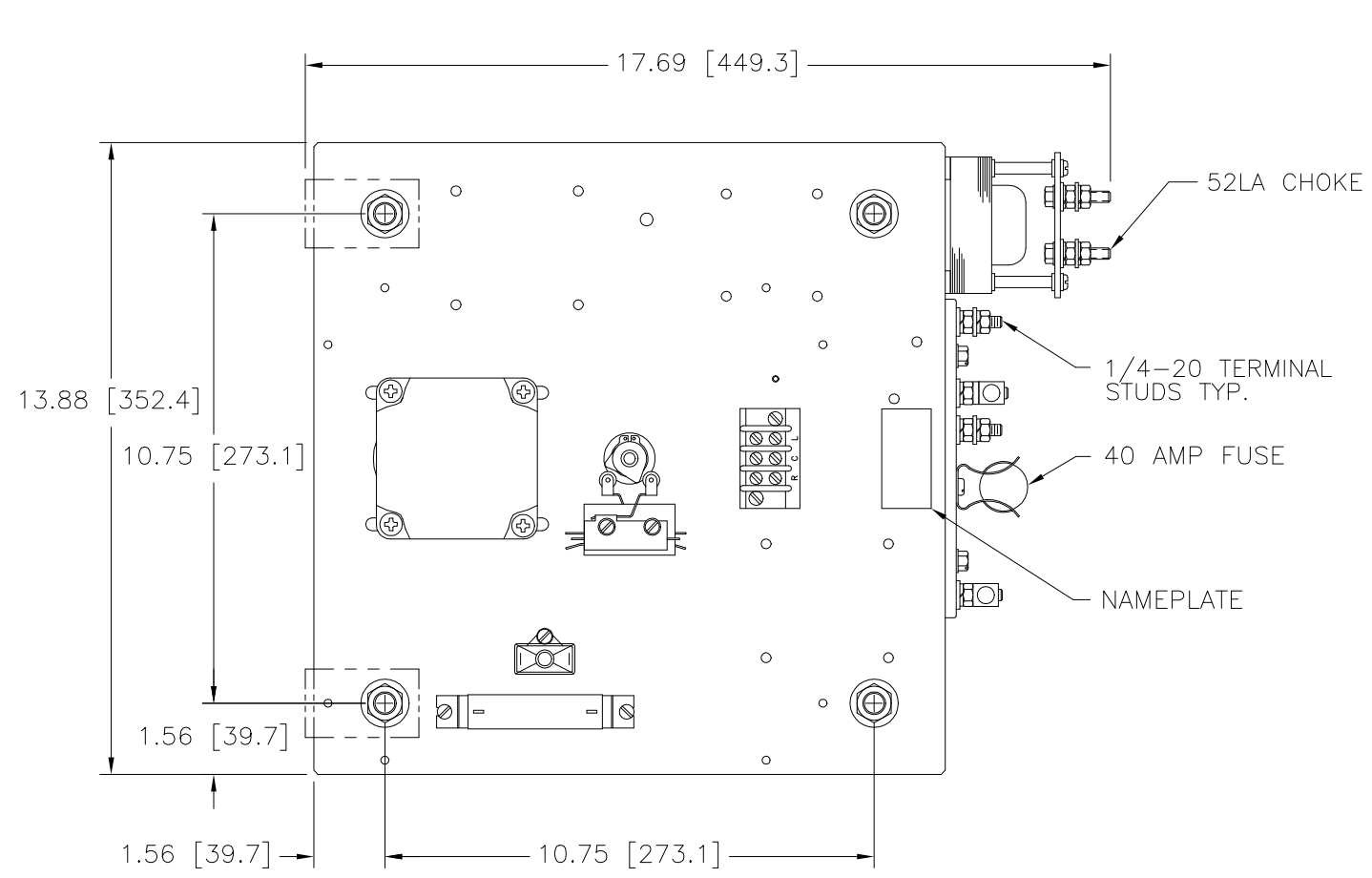
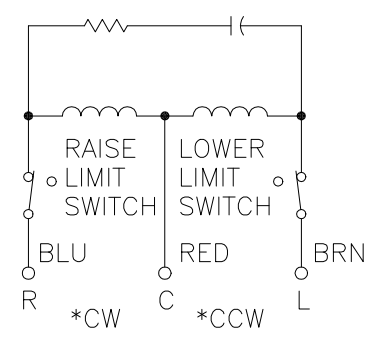
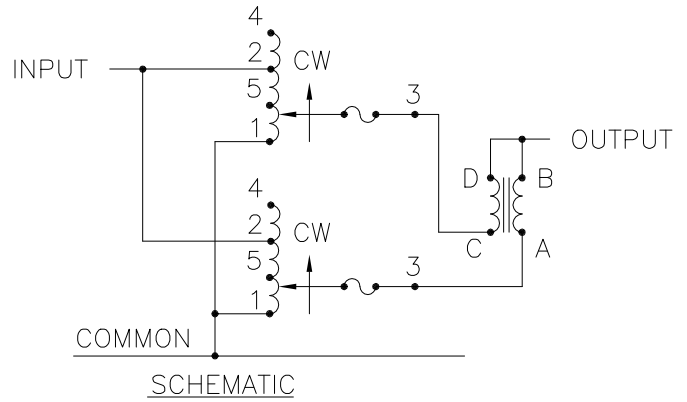


FIGURE A  
MAXIMUM OUTPUT CURRENT OF ANY DUAL INPUT VOLTAGE OR VOLTAGE DOUBLER UNIT OPERATED AT LOWER INPUT VOLTAGE.



120V, 50/60 HZ.  
\* ROTATION AS VIEWED FROM MOTOR END  
SPEED: SEE CHART  
MOTOR CIRCUIT



\* VOLTAGE DOUBLER  
# MAXIMUM OUTPUT CURRENT IN OUTPUT VOLTAGE RANGE FROM 0 TO 25% ABOVE LINE VOLTAGE. AT HIGHER OUTPUT VOLTAGES, OUTPUT CURRENT MUST BE REDUCED ACCORDING TO RATING CURVE, FIGURE A.  
‡ MAXIMUM KVA AT MAXIMUM OUTPUT AND CORRESPONDING DE-RATED CURRENT. MAXIMUM KVA AT LOWER OUTPUT VOLTAGES MAY BE CALCULATED FROM RATING CURVE, FIGURE A.

SPECIFICATIONS								
WIRING	INPUT		OUTPUT			SHAFT ROTATION FOR INCREASE VOLTAGE	TERMINAL CONNECTIONS	
	VOLTS	HERTZ	VOLTS	MAX. AMPS	MAX. KVA		FOR INCREASING VOLTAGE AS VIEWED FROM ROTOR END	
							INPUT	OUTPUT
SINGLE PHASE	240	50/60	0-240	70	16.8	CW	1-4	1-B
			0-280	70	19.6	CW	1-2	1-B
PARALLEL	120	50/60	0-280	70-30 #	8.4 ‡	CW	1-5	1-B

SPEED (SECONDS)	MODEL NUMBER	UNLESS OTHERWISE SPECIFIED, TOLERANCE IS ± DECIMALS HOLES ANGLES DRAFT UNITS IN [mm]	TITLE: SPEC. CONTROL DRAWING MOTORIZED VARIABLE XFMR. TYPE: M6020-2P	
15	15M6020-2P	.XX .010-12 .002 1° 1-1/2°	DRAWN BY: TIM RAU	DATE: 1/26/96
30	30M6020-2P	MATERIAL:	CHECKER:	DATE:
60	60M6020-2P	ALL DIMENSIONS APPLY AFTER PLATING	ENGINEER:	DATE:
The information and design disclosed herein was originated by and is the property of STACO ENERGY PRODUCTS CO., which reserves all patent, proprietary, design, manufacturing, reproduction, use and sale rights thereto, and to any article disclosed therein except to the extent rights are expressly granted to others. The foregoing does not apply to vendor proprietary parts.		WEIGHT APPROX. 169 LBS	CAGE CODE 83008	DWG. NO. 032-7616
		SCALE .5=1	SHEET 1 OF 2	

