



Chipsmall Limited consists of a professional team with an average of over 10 year of expertise in the distribution of electronic components. Based in Hongkong, we have already established firm and mutual-benefit business relationships with customers from,Europe,America and south Asia,supplying obsolete and hard-to-find components to meet their specific needs.

With the principle of “Quality Parts,Customers Priority,Honest Operation,and Considerate Service”,our business mainly focus on the distribution of electronic components. Line cards we deal with include Microchip,ALPS,ROHM,Xilinx,Pulse,ON,Everlight and Freescale. Main products comprise IC,Modules,Potentiometer,IC Socket,Relay,Connector.Our parts cover such applications as commercial,industrial, and automotives areas.

We are looking forward to setting up business relationship with you and hope to provide you with the best service and solution. Let us make a better world for our industry!



Contact us

Tel: +86-755-8981 8866 Fax: +86-755-8427 6832

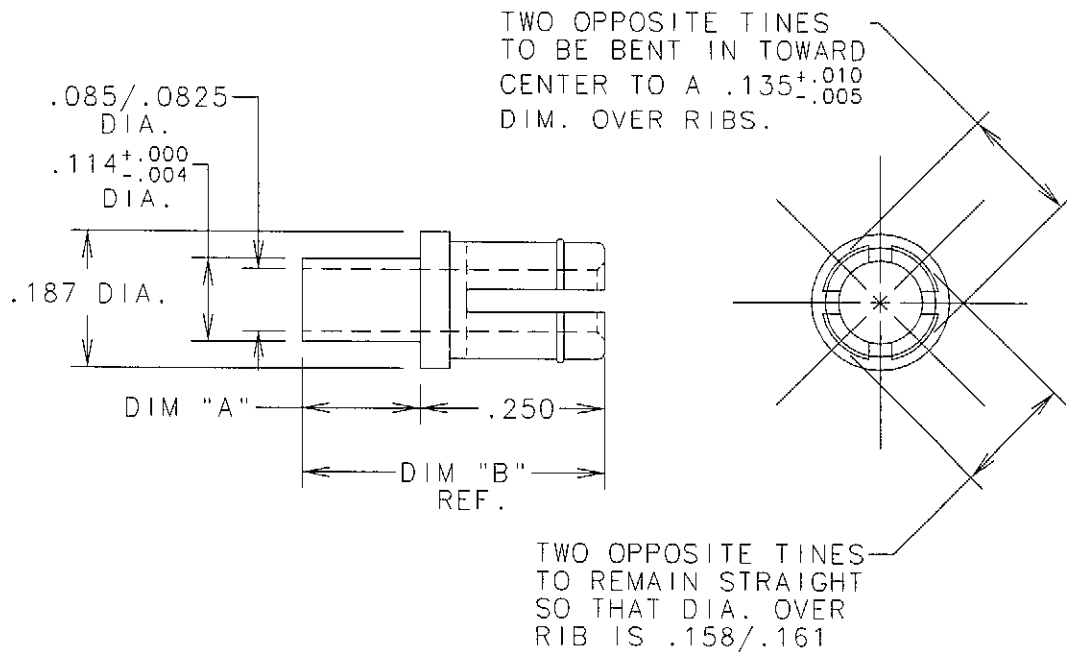
Email & Skype: info@chipsmall.com Web: www.chipsmall.com

Address: A1208, Overseas Decoration Building, #122 Zhenhua RD., Futian, Shenzhen, China



ENG110C

DWG. NO. 31YY1001-X



SALES PART NO.	TEST JACK PART NO.	DIM "A"	DIM "B"	P.C. BOARD THICKNESS
31-1	31C1012-1	.105	.355	1/16"
31-2	31C1012-2	.135	.385	3/32"
31-3	31C1012-3	.165	.415	1/8"

Obsolete
 Obsolete

NOTES:

1. FINISH: SILVER .0003/.0005 UNDER GOLD .00002 MIN.

P	DWP 9-17-97	REDRAWN TO CAD ECN#317632 DWS 9-16-97
A	JMK 1-18-55	ORIGINAL JMK 1-18-55
ISSUE	APP/DATE	DESCRIPTION
REVISIONS		
Grayhill		GRAYHILL, INC. 561 HILLGROVE AVE. LA GRANGE, IL 60525 PHONE (708) 354-1040
UNLESS OTHERWISE SPECIFIED TOLERANCES AND DIMENSIONS ARE IN INCHES LINEAR $\pm .010$ DIAMETERS $\pm .003$ ANGULAR $\pm 5^\circ$ LIMITS APPLY BEFORE FINISHING DO NOT SCALE THIS PRINT		
CRITICAL CHARACTERISTIC FLAGS PER GRAYHILL SPEC.SOP2338		
	-- CRITICAL CHARACTERISTIC FLAG	
	-- Cpk REQUIRED	
	-- S.P.C. FLAG (CONTROL CHART REQ'D ON FEATURE SPECIFIED)	
FINISH	SEE NOTE 1	APPROVED DATE JMK 1-18-55
MATERIAL	BRASS ALLOY #283	CHECKED DATE JMK 1-18-55
NAME	TEST JACK ASSY.	DRAWN DATE JMK 1-18-55
CAGE NO.	81073	CADAM DRAWING 31YY1001-X,P,01,1,1
A SIZE	DWG. NO. 31YY1001-X	ISSUE P
SCALE	4:1	SHEET 1 OF 1