



Chipsmall Limited consists of a professional team with an average of over 10 year of expertise in the distribution of electronic components. Based in Hongkong, we have already established firm and mutual-benefit business relationships with customers from,Europe,America and south Asia,supplying obsolete and hard-to-find components to meet their specific needs.

With the principle of “Quality Parts,Customers Priority,Honest Operation,and Considerate Service”,our business mainly focus on the distribution of electronic components. Line cards we deal with include Microchip,ALPS,ROHM,Xilinx,Pulse,ON,Everlight and Freescale. Main products comprise IC,Modules,Potentiometer,IC Socket,Relay,Connector.Our parts cover such applications as commercial,industrial, and automotives areas.

We are looking forward to setting up business relationship with you and hope to provide you with the best service and solution. Let us make a better world for our industry!



Contact us

Tel: +86-755-8981 8866 Fax: +86-755-8427 6832

Email & Skype: info@chipsmall.com Web: www.chipsmall.com

Address: A1208, Overseas Decoration Building, #122 Zhenhua RD., Futian, Shenzhen, China





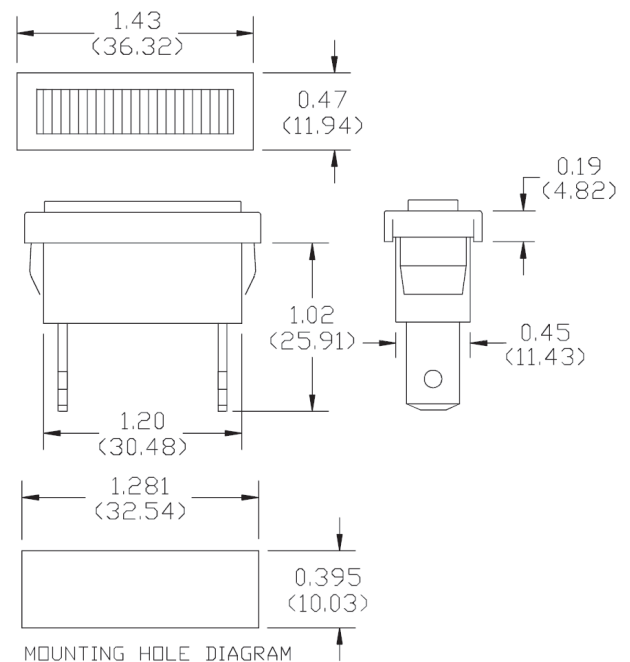
31 Series Snapfit Rectangular Indicator Lights for 1.281" x 0.395" (32.54mm x 10.03mm) Mounting Hole

Zinc plated bezel, white nylon housing, neon or incandescent lights

Overview

The 31 Series rectangular indicators feature a wide variety of lens colors and voltage options. Indicator lights quickly snap fit into a 1.281" x 0.395" (32.54mm x 10.03mm) mounting hole. Recommended panel thickness range from 0.020" (0.5mm) minimum to 0.090" (2.3mm) maximum. Lenses may be customized with stamped message.

- rectangular indicator lights for 1.281" x 0.395" (32.54mm x 10.03mm) mounting hole
- 0.250" (6.35mm) tab terminals
- neon or incandescent indicator lights
- variety of lens colors
- UL Listed
- UL File E20356
- Quick Disconnect Terminal: CE Certified



Dimensions in inches (mm)

Specifications

Housing: white nylon. A black housing is available.

Bezel: zinc plated steel. A black anodized bezel is available.

Lens: polycarbonate. Lenses may be customized with stamped message.

Incandescent AC or DC voltage options: 6, 14 and 28 volts.

Neon AC or DC voltage options: 125 and 250 volts.

Note: high brightness green and blue neon lamps supplied in green and blue neon applications.

Terminals: 0.250" (6.35mm) tabs: brass, (.250" (6.35mm) length x 0.030" (.76mm)) thick.



31 Series Snapfit Indicator Lights

Zinc plated bezel, white nylon housing, neon or incandescent lights

Ordering Specifications

Part Number	Lens Color	Lamp Type	Design Volts	Design Watts or Amps	Life (hrs)
31-2111T	Red	Neon	125	1/3W	25,000
31H-2111T	Red	Neon	250	1/3W	25,000
31G1-2111T	Red	Incandescent	6	.20A	5,000
31G3-2111T	Red	Incandescent	14	.10A	10,000
31G18-2111T	Red	Incandescent	28	.04A	7,000
31-2112T	Green	Neon	125	1/3W	25,000
31H-2112T	Green	Neon	250	1/3W	25,000
31G1-2112T	Green	Incandescent	6	.20A	5,000
31G3-2112T	Green	Incandescent	14	.10A	10,000
31G18-2112T	Green	Incandescent	28	.04A	7,000
31-2113T	Amber	Neon	125	1/3W	25,000
31H-2113T	Amber	Neon	250	1/3W	25,000
31G1-2113T	Amber	Incandescent	6	.20A	5,000
31G3-2113T	Amber	Incandescent	14	.10A	10,000
31G18-2113T	Amber	Incandescent	28	.04A	7,000
31-2114T	Blue	Neon	125	1/3W	25,000
31H-2114T	Blue	Neon	250	1/3W	25,000
31G1-2114T	Blue	Incandescent	6	.20A	5,000
31G8-2114T	Blue	Incandescent	14	.10A	10,000
31G18-2114T	Blue	Incandescent	28	.04A	7,000
31-2115T	White	Neon	125	1/3W	25,000
31H-2115T	White	Neon	250	1/3W	25,000
31G1-2115T	White	Incandescent	6	.20A	5,000
31G3-2115T	White	Incandescent	14	.10A	10,000
31G18-2115T	White	Incandescent	28	.04A	7,000
31-2117T	Clear	Neon	125	1/3W	25,000
31H-2117T	Clear	Neon	250	1/3W	25,000
31G1-2117T	Clear	Incandescent	6	.20A	5,000
31G3-2117T	Clear	Incandescent	14	.10A	10,000
31G18-2117T	Clear	Incandescent	28	.04A	7,000