



Chipsmall Limited consists of a professional team with an average of over 10 year of expertise in the distribution of electronic components. Based in Hongkong, we have already established firm and mutual-benefit business relationships with customers from,Europe,America and south Asia,supplying obsolete and hard-to-find components to meet their specific needs.

With the principle of “Quality Parts,Customers Priority,Honest Operation,and Considerate Service”,our business mainly focus on the distribution of electronic components. Line cards we deal with include Microchip,ALPS,ROHM,Xilinx,Pulse,ON,Everlight and Freescale. Main products comprise IC,Modules,Potentiometer,IC Socket,Relay,Connector.Our parts cover such applications as commercial,industrial, and automotives areas.

We are looking forward to setting up business relationship with you and hope to provide you with the best service and solution. Let us make a better world for our industry!



## Contact us

Tel: +86-755-8981 8866 Fax: +86-755-8427 6832

Email & Skype: info@chipsmall.com Web: www.chipsmall.com

Address: A1208, Overseas Decoration Building, #122 Zhenhua RD., Futian, Shenzhen, China



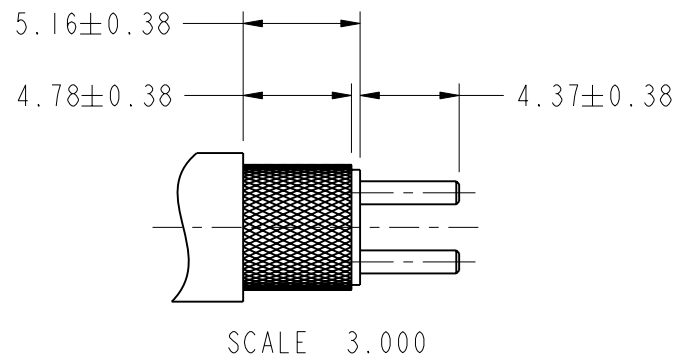
NOTES:

1. MATERIALS AND FINISHES:  
 BODY - BRASS, NICKEL PLATING  
 CONTACTS - BRASS & BERYLLIUM COPPER, SILVER PLATING  
 INSULATOR - NORYL, GREY
2. ELECTRICAL:  
 A. DIELECTRIC WITHSTANDING VOLTAGE: 1500 VRMS, MIN.
3. MECHANICAL:  
 A. DURABILITY: 200 CYCLES MIN.  
 B. TEMPERATURE RANGE: -45° C TO +121° C
4. PACKAGING:  
 A. QUANTITY: SINGLE PACK  
 B. MARKING: BAG TO BE MARKED  
 "AMPHENOL RF, 31-224, AND DATE CODE"
6. CUSTOMER NOTE: ITEMS 1, 2, 3, 4, 5 & 6 ARE ASSEMBLED PRIOR TO SOLDERING ITEMS 7 & 8. AFTER SOLDERING ITEMS 7 & 8 IN PLACE, ITEM 9 IS SLIPPED ONTO ITEMS 7 & 8, THE COMPLETED ASSEMBLY IS PUSHED INTO ITEM 10 & SECURELY RETAINED BY WRENCH TIGHTENING ITEM 1.
7. APPLICATION INFORMATION  
 THIS PLUG IS INTENDED FOR USE WITH 31-223 & 31-235 TWIN CONTACT RECEPTACLES WHEN MATING THIS PLUG WITH 31-223 OR 31-235 RECEPTACLE, THE PLUG MUST BE INSERTED & PROPERLY INDEXED FOR POLARIZATION WITH THE MATING RECEPTACLE BEFORE COMPLETING THE LOCKING THE BAYONET SLEEVE, WHEN THE CONNECTORS ARE COMPLETELY ENGAGED, THE BODY OF THE PLUG SHOULD NOT BE ROTATED RELATIVE TO THE RECEPTACLE AS THIS CAN CAUSE DAMAGE TO THE CONTACTS & INSULATORS.
8. CUSTOMER NOTE: SOLDER CONTACT TO CABLE

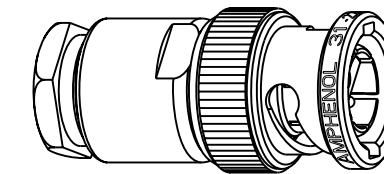
THIRD ANGLE PROJ.

REVISIONS

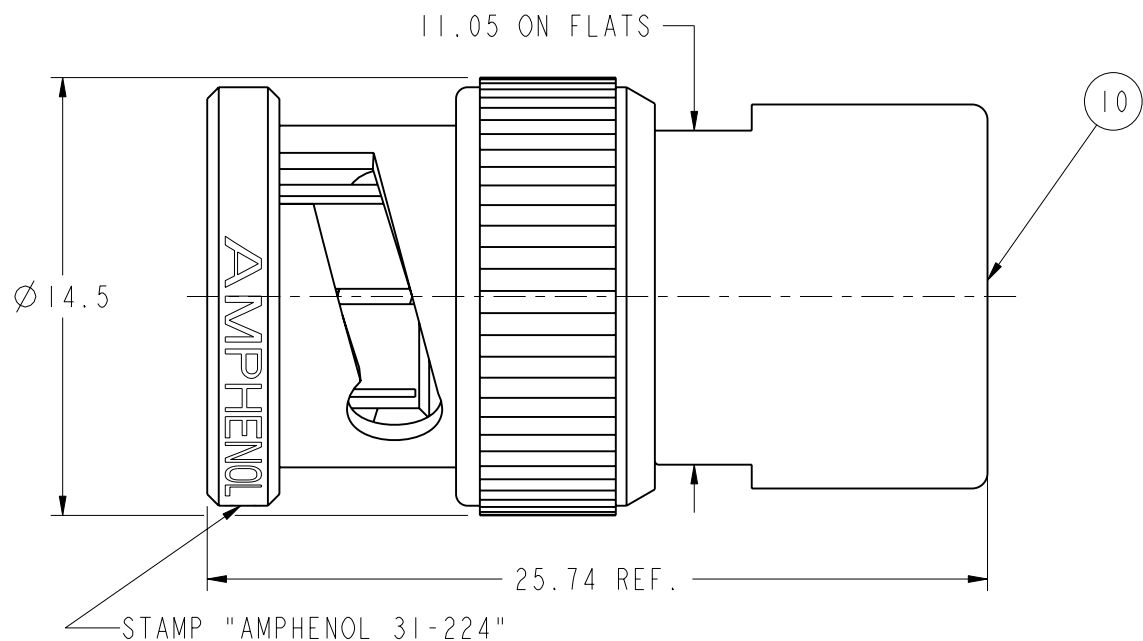
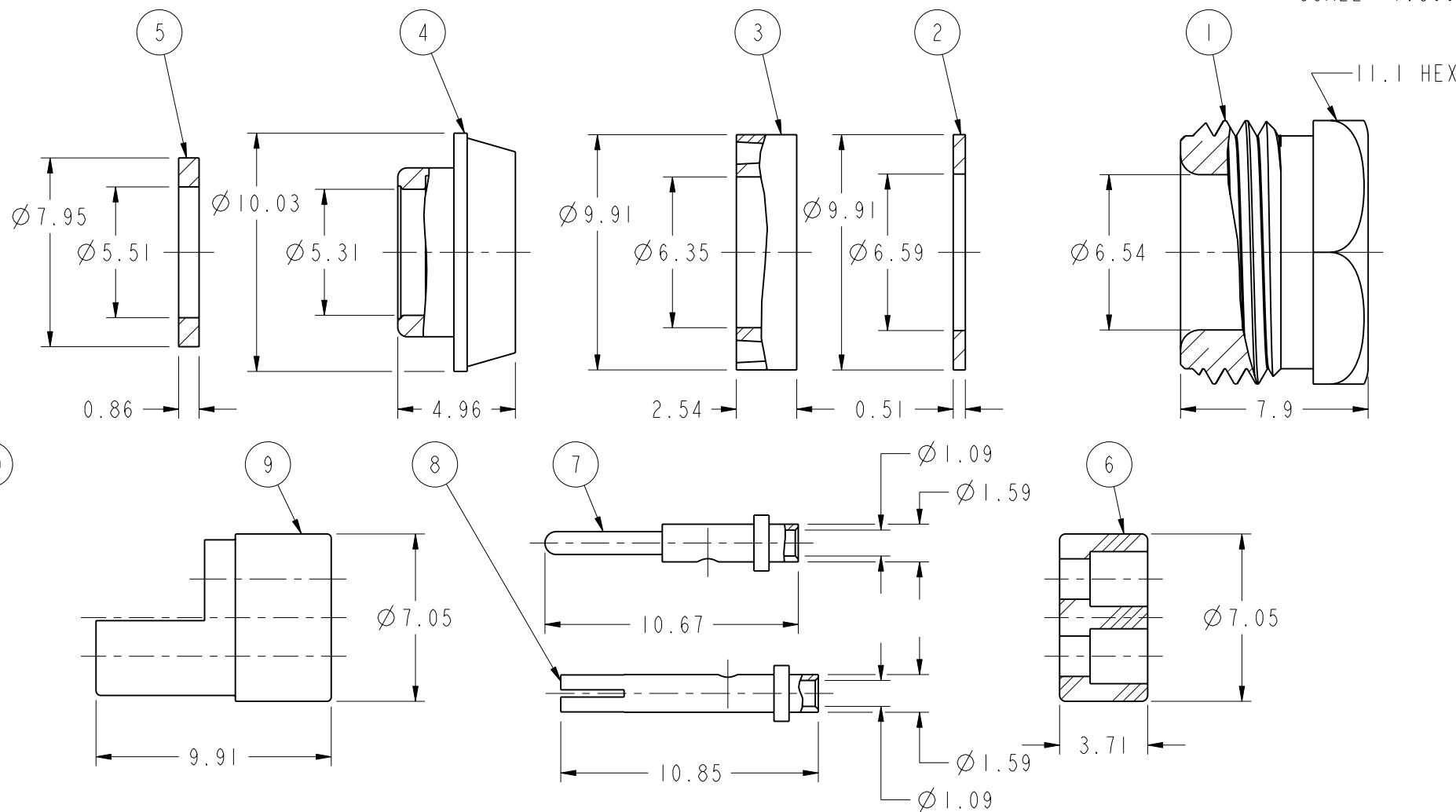
REV	DESCRIPTION	DATE	ECO	APPR
A2	SEE SHEET 1	09-Jan-03	--	TONY
B	SEE SHEET 1	06-Mar-08	--	AW
T	SEE SHEET 1	12-Jan-10	47921	SH
U	NOTE 8 WAS CHANGED\RD-DM1101100IT1	12-Jan-11	48420	SH
V	PART 1 WAS CHANGED\RD-DMI4032501J1	10-Apr-14	49928	SH



**RECOMMENDED CABLE STRIPPING DIMENSIONS**



SCALE 1.500



**CUSTOMER OUTLINE DRAWING**  
 ALL OTHER SHEETS ARE FOR INTERNAL USE ONLY

UNLESS OTHERWISE SPECIFIED, DIMENSIONS ARE IN METRIC AND TOLERANCES ARE:  
 <0.5mm ±0.05mm    0.5 - 6mm ±0.1mm    6 - 30mm ±0.2mm    30 - 120mm ±0.3mm    ANGLES ±1°

NOTICE - These drawings, specifications, or other data (1) are, and remain the property of Amphenol corp. (2) must be returned upon request; and (3) are confidential and not to be disclosed to any person other than those to whom they are given by Amphenol Corp. the furnishing of these drawings, specifications, or other data by Amphenol Corp., or to any other person to anyone for any purpose is not to be regarded by implication or otherwise in any manner licensing, granting rights to permitting such holder or any other person to manufacture, use or sell any product, process or design, patented or otherwise, that may in any way be related to or disclosed by said drawings, specifications, or other data.

MATERIAL	DRAWN JEKY.C	DATE 10-Apr-14
REFERENCE TEXTRONIX 100X3225-1 DOR 22-25-5152	ENGINEER D. ROYCE	DATE 29-Jun-90
FINISH	APPROVED S. HSIEH	DATE 10-Apr-14
	CAD FILE I:\BNC\31-224	

TITLE SPECIAL PLUG (TWIN CONTACT) BNC LOW VOLTAGE	SCALE: 5.0:1.0	SHEET 2 OF 2
DWG SIZE B	REV V	

TITLE SPECIAL PLUG (TWIN CONTACT) BNC LOW VOLTAGE	
SCALE: 5.0:1.0	SHEET 2 OF 2
DWG SIZE B	REV V

Amphenol RF Danbury CT USA, Tainan, Taiwan, Shenzhen, China www.amphenolrf.com	
DRAWING NO. 31-224	
ITEM NO. 31-224	
PART NO. 31-224	