



Chipsmall Limited consists of a professional team with an average of over 10 year of expertise in the distribution of electronic components. Based in Hongkong, we have already established firm and mutual-benefit business relationships with customers from,Europe,America and south Asia,supplying obsolete and hard-to-find components to meet their specific needs.

With the principle of "Quality Parts,Customers Priority,Honest Operation,and Considerate Service",our business mainly focus on the distribution of electronic components. Line cards we deal with include Microchip,ALPS,ROHM,Xilinx,Pulse,ON,Everlight and Freescale. Main products comprise IC,Modules,Potentiometer,IC Socket,Relay,Connector.Our parts cover such applications as commercial,industrial, and automotives areas.

We are looking forward to setting up business relationship with you and hope to provide you with the best service and solution. Let us make a better world for our industry!



Contact us

Tel: +86-755-8981 8866 Fax: +86-755-8427 6832

Email & Skype: info@chipsmall.com Web: www.chipsmall.com

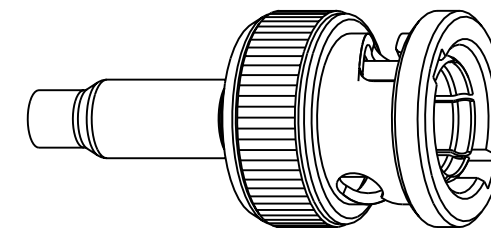
Address: A1208, Overseas Decoration Building, #122 Zhenhua RD., Futian, Shenzhen, China



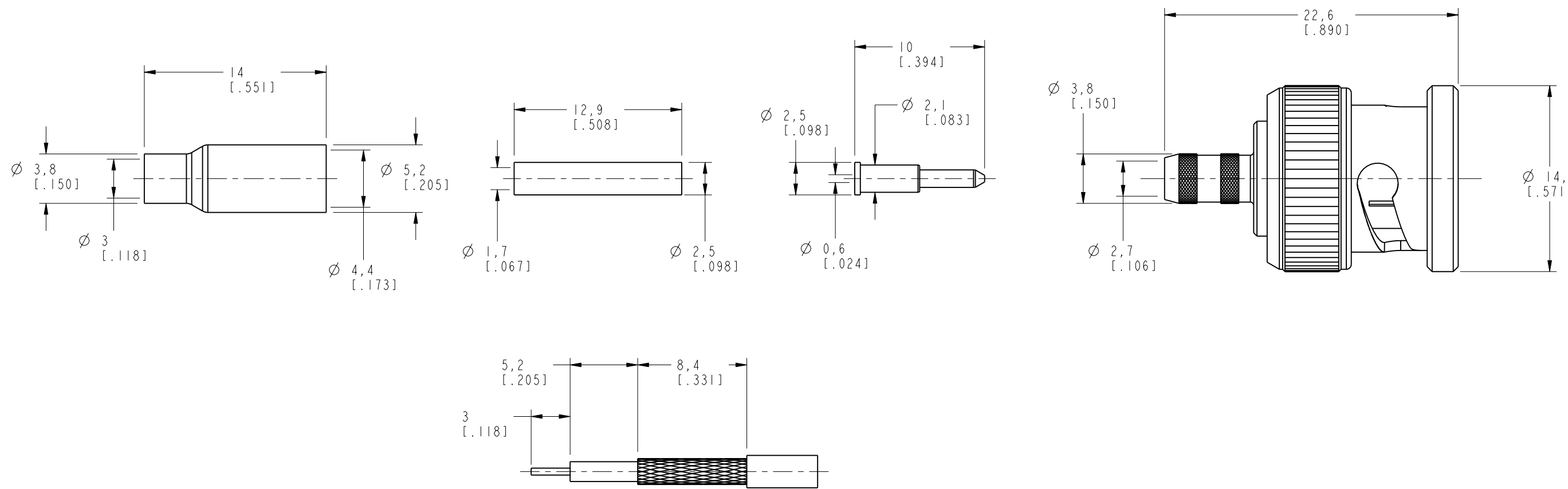
NOTES:

- MATERIALS OF CONSTRUCTION:
 SHELL = ZINC DIECAST, NICKEL PLATED (.000100 MIN) THICK
 BODY, & RETAINER RING = BRASS (ASTM-B16 HO2, C36000), NICKEL PLATED (.000100 MIN THICK)
 CONTACT PIN = BRASS (ASTM-B16 HO2, C36000), GOLD PLATED (.000003 MIN THICK)
 WASHER = BRASS (QQ-B-613), NICKEL PLATED (.000100 MIN THICK)
 SPRING = COPPER ALLOY, NICKEL PLATED (.000200 MIN THICK)
 INSULATOR & SLEEVE = DELRIN, COLOR NATURAL
 FERRULE = BRASS, NICKEL PLATED (.000100 MIN) THICK
 GASKET = SILICONE RUBBER, COLOR RED
- CRIMPED FERRULE = HEX CRIMP SIZE .178
 CRIMPED CONTACT PIN = HEX CRIMP SIZE .068

| | | | | | |
|-------------------|-----|-----------------|---------|-------|------|
| 31-315-RFX | | REVISIONS | | | |
| DRAWING NO. | REV | DESCRIPTION | DATE | ECO | APPR |
| THIRD ANGLE PROJ. | A | RELEASE TO MFG. | | 39618 | CPM |
| | D | SEE SHEET 1 | 1/30/02 | 43956 | CPM |



SCALE 2.000



RECOMMENDED CABLE
 STRIPPING DIMENSIONS
 SCALE 3.000

CUSTOMER OUTLINE DRAWING
 ALL OTHER SHEETS ARE FOR INTERNAL USE ONLY

| | | | | | | | |
|---|---|--------------------------|------------------|---|---------------------------|---|--------------|
| UNLESS OTHERWISE SPECIFIED, DIMENSIONS ARE IN INCHES AND TOLERANCES ARE: 0.5 - 6mm ±0.2mm 6 - 30mm ±0.4mm 30 - 120mm ±0.6mm | MATERIAL | DRAWN C. McGRATH | DATE 1/28/02 | TITLE BNC CRIMP PLUG (FOR RG-174/U, 188A/U, 316/U CABLES) | | Amphenol Amphenol Corporation Communication and Network Products Division Danbury, CT U.S.A. 06810 | |
| | REFERENCE EAR 962370 GEN# 31-315-RFX_ASSY | ENGINEER O. BARTHELME | DATE 1/28/02 | | | | |
| NOTICE - These drawings, specifications, or other data (1) are, and remain the property of Amphenol Corp. (2) must be returned upon request; and (3) are confidential and not to be disclosed to any person other than those to whom they are given by Amphenol Corp. The furnishing of these drawings, specifications, or other data by Amphenol Corp., or to any other person to anyone for any purpose is not to be regarded by implication or otherwise in any manner licensing, granting rights or permitting such holder or any other person to manufacture, use or sell any product, process or design, patented or otherwise, that may in any way be related to or disclosed by said drawings, specifications, or other data. | CAD FILE I:\BNC75\31-315-RFX | | CODE ID 74868 | DWG SIZE B | DRAWING NO. 31-315-RFX | SCALE: 3.0:1 | SHEET 2 OF 2 |
| | | | | | | REV D | |