



Chipsmall Limited consists of a professional team with an average of over 10 year of expertise in the distribution of electronic components. Based in Hongkong, we have already established firm and mutual-benefit business relationships with customers from,Europe,America and south Asia,supplying obsolete and hard-to-find components to meet their specific needs.

With the principle of “Quality Parts,Customers Priority,Honest Operation,and Considerate Service”,our business mainly focus on the distribution of electronic components. Line cards we deal with include Microchip,ALPS,ROHM,Xilinx,Pulse,ON,Everlight and Freescale. Main products comprise IC,Modules,Potentiometer,IC Socket,Relay,Connector.Our parts cover such applications as commercial,industrial, and automotives areas.

We are looking forward to setting up business relationship with you and hope to provide you with the best service and solution. Let us make a better world for our industry!



Contact us

Tel: +86-755-8981 8866 Fax: +86-755-8427 6832

Email & Skype: info@chipsmall.com Web: www.chipsmall.com

Address: A1208, Overseas Decoration Building, #122 Zhenhua RD., Futian, Shenzhen, China



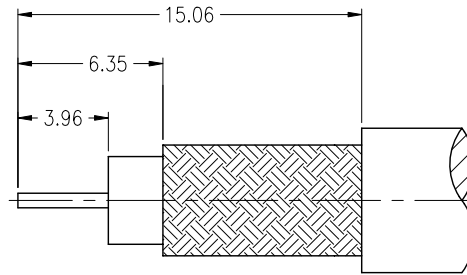
NOTES:

1. MATERIALS AND FINISHES(PLATING THICKNESS IN MICRO-INCHES):
 BODY - BRASS, NICKEL PLATING
 CONTACT - BRASS, GOLD PLATING
 INSULATOR - PTFE, NATURAL
2. ELECTRICAL:
 A. IMPEDANCE: 50 OHM
 B. FREQUENCY RANGE: DC -4 GHz
 C. DIELECTRIC WITHSTANDING VOLTAGE: 1500 VRMS, MIN.
3. MECHANICAL:
 A. DURABILITY: 500 CYCLES MIN.
 B. TEMPERATURE RANGE: - 65°C to +165°C
4. WHEN CRIMPING FERRULE TO CABLE, CRIMP WITH AMPHENOL TOOL 277-944 (M22520/5-01) AND DIE SET 227-1221-13 CAVITY 'A' (M22520/5-13,CLOSURE 'A')
5. ITEM 8 IS USED FOR RG62 CABLE ONLY
6. USE WITH RG 59 AND BELDEN 8221, 8241, 8241A, 8241F, 8263, 8279A, 9209, 9209A, 9244 CABLES.

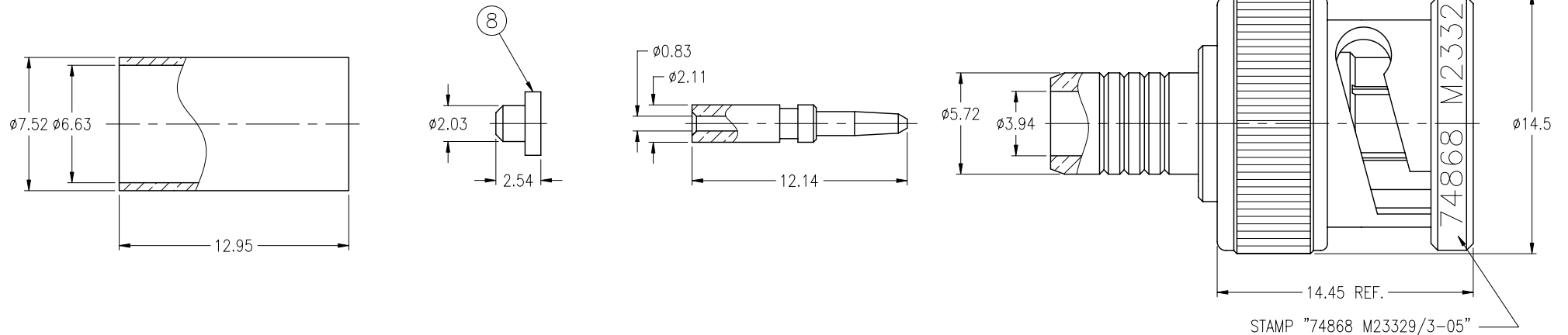
THIRD ANGLE PROJ.

REVISIONS

REV	DESCRIPTION	DATE	ECO	APPR
A2	APPEARANCE WAS CHANGED\N/A	16-Apr-03	---	TONY
A3	SEE SHEET 1	17-Mar-05	---	SH
A4	SEE SHEET 1	30-Jun-05	---	SH
B	SEE SHEET 1	28-Sep-06	---	SH
AE	SEE SHEET 1	21-Sep-10	47921	SH
AF	NOTE 5 WAS CHANGE\RD-DM11071101R3	02-Aug-11	48675	SH



RECOMMENDED
CABLE STRIPPING DIM'S



CUSTOMER OUTLINE DRAWING
ALL OTHER SHEETS ARE FOR INTERNAL USE ONLY

UNLESS OTHERWISE SPECIFIED, DIMENSIONS ARE IN METRIC AND TOLERANCES ARE:
 <0.5mm ±0.05mm 0.5 - 6mm ±0.1mm 6 - 30mm ±0.2mm 30 - 120mm ± 0.3mm ANGLES ±1°

NOTICE - These drawings, specifications, or other data (1) are, and remain the property of Amphenol Corp. (2) must be returned upon request; and (3) are confidential and not to be disclosed to any person other than those to whom they are given by Amphenol Corp. The furnishing of these drawings, specifications, or other data by Amphenol Corp., or to any other person to anyone for any purpose is not to be regarded by implication or otherwise in any manner licensing, granting rights or permitting such holder or any other person to manufacture, use or sell any product, process or design, patented or otherwise, that may in any way be related to or disclosed by said drawings, specifications, or other data.

MATERIAL	DRAWN	DATE	TITLE		
	R.MAO	22-Jul-11	BNC PLUG MIL-CRIMP 23329 (FOR RG-59/U, 62/U CABLE)		
REFERENCE	ENGINEER	DATE	Danbury CT USA, Tainan Taiwan, Shenzhen China www.amphenolrf.com		
	C.WANG	22-Jul-11	DRAWING NO. 31-321		
FINISH	APPROVED	DATE	SCALE: 3/1	SHEET 2 OF 2	ITEM NO. 31-321
	S.HSIEH	22-Jul-11	DWG SIZE B	CODE ID 74868	REV AF
	CAD FILE				
	F:\DWG\CNPD\31\321\00-AFSZ				