



Chipsmall Limited consists of a professional team with an average of over 10 year of expertise in the distribution of electronic components. Based in Hongkong, we have already established firm and mutual-benefit business relationships with customers from,Europe,America and south Asia,supplying obsolete and hard-to-find components to meet their specific needs.

With the principle of "Quality Parts,Customers Priority,Honest Operation,and Considerate Service",our business mainly focus on the distribution of electronic components. Line cards we deal with include Microchip,ALPS,ROHM,Xilinx,Pulse,ON,Everlight and Freescale. Main products comprise IC,Modules,Potentiometer,IC Socket,Relay,Connector.Our parts cover such applications as commercial,industrial, and automotives areas.

We are looking forward to setting up business relationship with you and hope to provide you with the best service and solution. Let us make a better world for our industry!



## Contact us

Tel: +86-755-8981 8866 Fax: +86-755-8427 6832

Email & Skype: info@chipsmall.com Web: www.chipsmall.com

Address: A1208, Overseas Decoration Building, #122 Zhenhua RD., Futian, Shenzhen, China



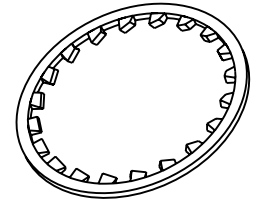
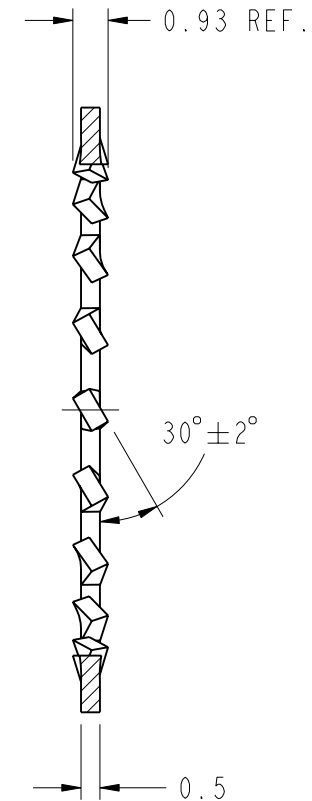
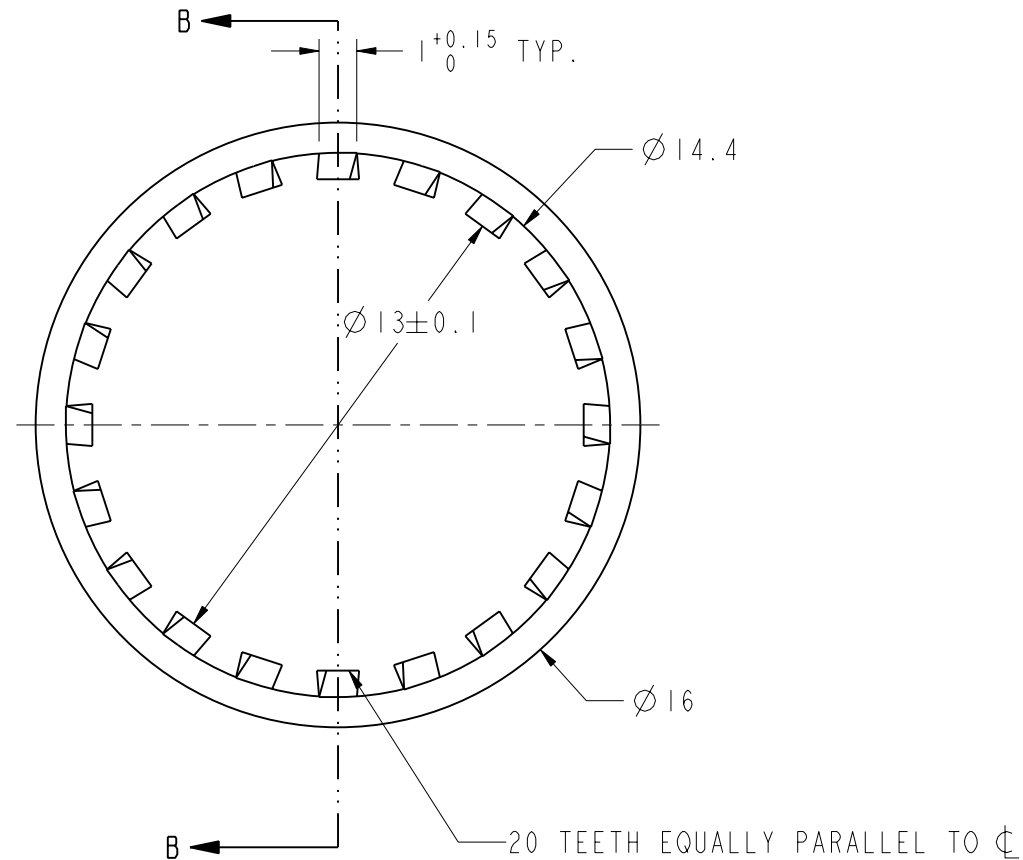
NOTES:

- MATERIAL AND FINISH (PLATING THICKNESS IN MICRO-INCHES):  
LOCK WASHER - PHOSPHOR, NICKEL PLATING
- BULKPACK 100 PCS . PER POLY BAG. MARK BAG "31-5653 QTY 100"

THIRD ANGLE PROJ.

REVISIONS

REV	DESCRIPTION	DATE	ECO	APPR
A	RELEASE TO MFG.	01-Nov-05		LIGHTER
B	REDRAWN TO FORMAT AND ADDED NOTES	23-Nov-09		SCOTT
C	TEETH DIRECTION WAS CHANGED; $\phi 13 \pm 0.1$ WAS $\phi 12.93$ ; $\phi 16$ WAS $15.88 \pm 0.12$ ; $0.5 \pm 0.02$ WAS $0.56 \pm 0.12$	31-Oct-11	48832	HS



**CUSTOMER OUTLINE DRAWING**

ALL OTHER SHEETS ARE FOR INTERNAL USE ONLY

<p>UNLESS OTHERWISE SPECIFIED, DIMENSIONS ARE IN METRIC AND TOLERANCES ARE:                  0.5 - 6mm <math>\pm 0.1</math>mm    6 - 30mm <math>\pm 0.2</math>mm    30 - 120mm <math>\pm 0.3</math>mm    ANGLES <math>\pm 1^\circ</math></p> <p>NOTICE - These drawings, specifications, or other data (1) are, and remain the property of Amphenol corp. (2) must be returned upon request; and (3) are confidential and not to be disclosed to any person other than those to whom they are given by Amphenol Corp. the finishing of these drawings, specifications, or other data by Amphenol Corp., or to any other person to anyone for any purpose is not to be regarded by implication or otherwise in any manner licensing, granting rights to permitting such holder or any other person to manufacture, use or sell any product, process or design, patented or otherwise, that may in any way be related to or disclosed by said drawings, specifications, or other data.</p>	MATERIAL	DRAWN F. WANG	DATE 31-Oct-11	TITLE LOCK WASHER 100 PCS BULKPACK			Amphenol RF Danbury CT USA, Tainan, Taiwan, Shenzhen, China www.amphenolrf.com	
	REFERENCE AND CONFIGURATION LEVEL:	ENGINEER FIGO	DATE 31-Oct-11					
	FINISH	APPROVED S. HSIEH	DATE 31-Oct-11	SCALE: 2.0:1.0	SHEET 2 OF 2	ITEM NO. 31-5653		
		I:/HARD /31-5653		DWG SIZE B	CODE ID 74868	REV C	PART NO. 31-5653	