



Chipsmall Limited consists of a professional team with an average of over 10 year of expertise in the distribution of electronic components. Based in Hongkong, we have already established firm and mutual-benefit business relationships with customers from,Europe,America and south Asia,supplying obsolete and hard-to-find components to meet their specific needs.

With the principle of “Quality Parts,Customers Priority,Honest Operation,and Considerate Service”,our business mainly focus on the distribution of electronic components. Line cards we deal with include Microchip,ALPS,ROHM,Xilinx,Pulse,ON,Everlight and Freescale. Main products comprise IC,Modules,Potentiometer,IC Socket,Relay,Connector.Our parts cover such applications as commercial,industrial, and automotives areas.

We are looking forward to setting up business relationship with you and hope to provide you with the best service and solution. Let us make a better world for our industry!



## Contact us

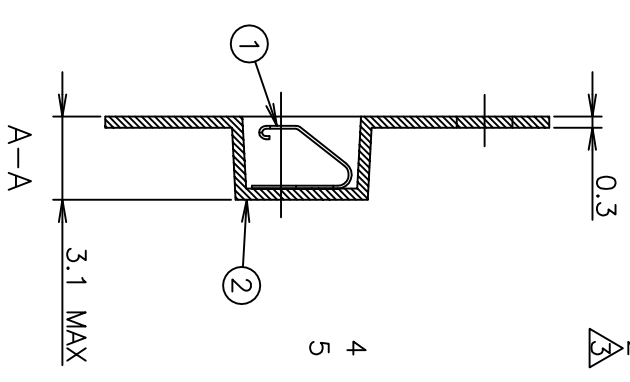
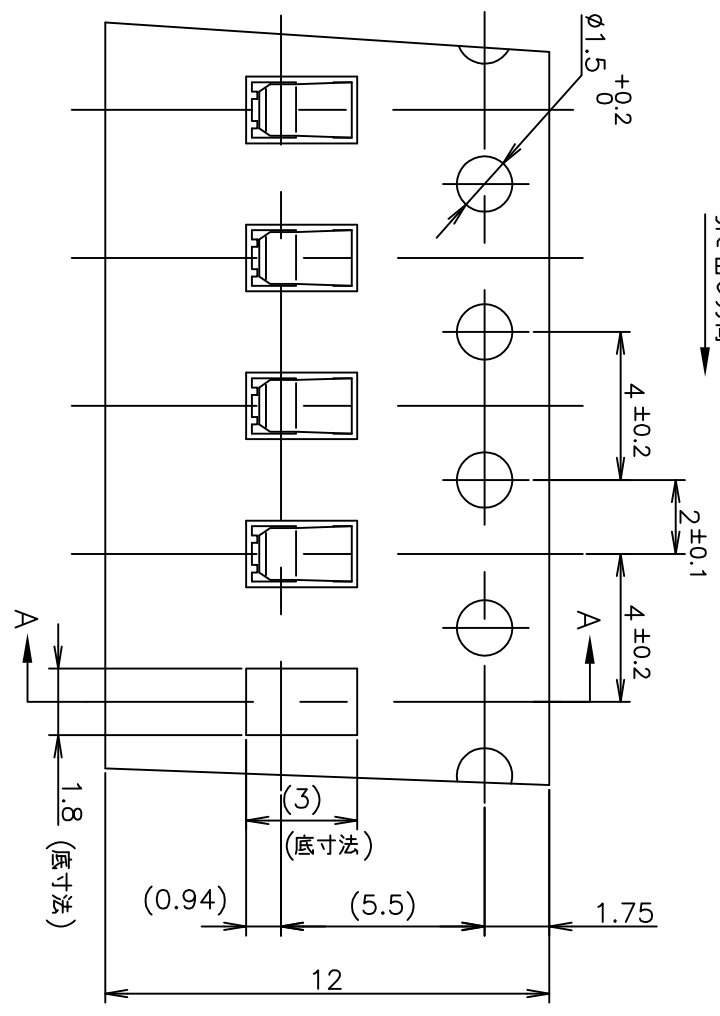
Tel: +86-755-8981 8866 Fax: +86-755-8427 6832

Email & Skype: info@chipsmall.com Web: www.chipsmall.com

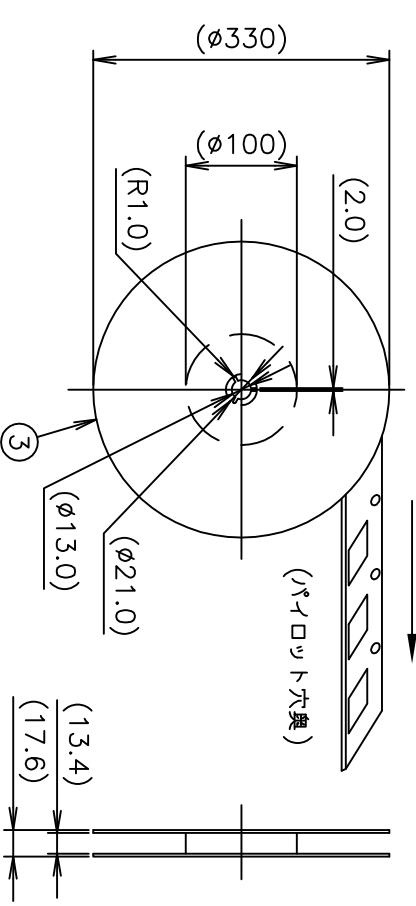
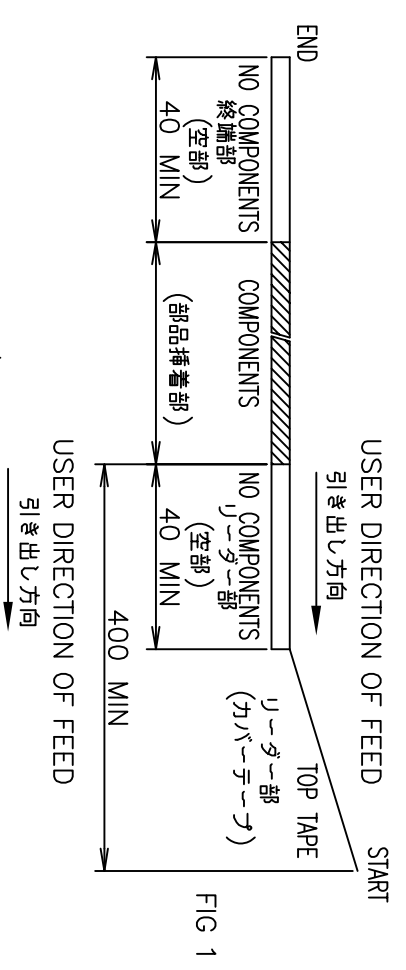
Address: A1208, Overseas Decoration Building, #122 Zhenhua RD., Futian, Shenzhen, China



USER DIRECTION OF FEED  
引き出し方向

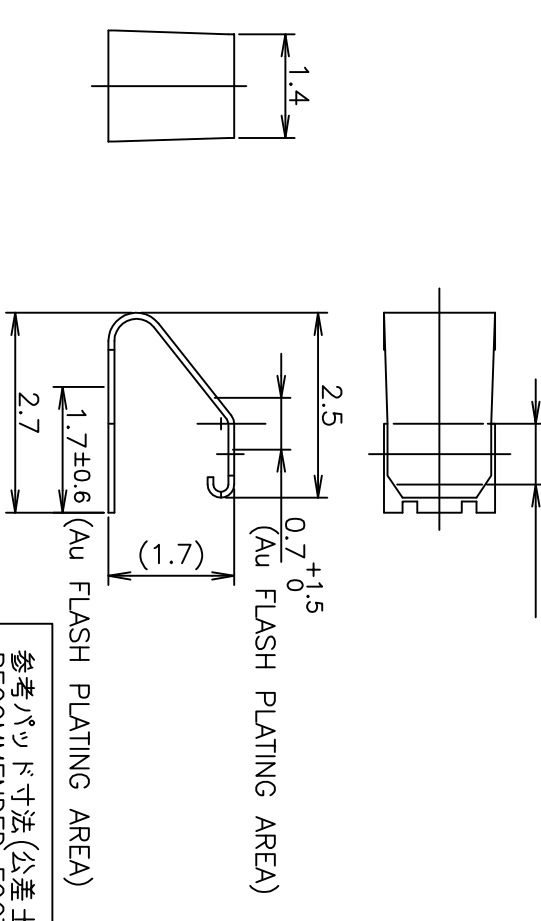


- 1 GENERAL TOLERANCE: ±0.3
- 2 PACKING STYLE: 5,000 PCS/REEL
- 3 MATERIAL:  
SHIELD FINGER: COPPER ALLOY  
(PRE-NICKEL PLATING 0.8~1.5um)  
(PRE-GOLD PLATING ON THE CONTACT AND FOOT AREA 0.05~0.1um)
- 4 CARRIER TAPE: ACRYLIC FILM
- 5 TOP TAPE: PET FILM
- 6 REEL: PLASTIC
- 7 TAPES DIMENSION: SEE FIG 1
- 8 REEL DIMENSION: REFERENCE ONLY



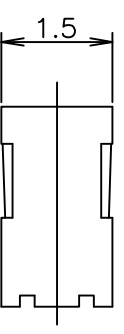
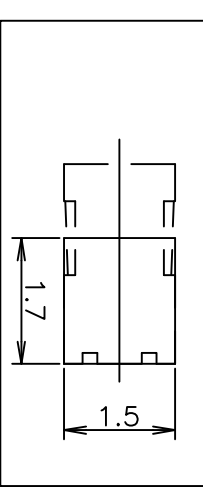
シールドフィンガー 1715  
SHIELD FINGER 1715

旧型番: 3400196 SCALE 10:1  
OLD CAT. NO. 3400196



(Au FLASH PLATING AREA)

参考パッド寸法(公差±0.5)  
RECOMMENDED FOOT PRINT  
REFERENCE ONLY



1447360-9	3100069	OLD PACKAGING CAT. NO.	NO.	名称	型番	数量
			③	リール	(旧型番: 3150008)	1
			②	エソボスキャリアテープ	(旧型番: 3150038)	5000 ボット (部品装着部)
			①	シールドフィンガー	(旧型番: 3400196)	5000枚
THIS DRAWING IS A CONTROLLED DOCUMENT.		DMN	DESIGNATION			
		CHK	K.TAMURA			
		APVD	K.KODAIRA			
		PRODUCT SPEC	製品規格			
		APPLICATION SPEC	取付適用規格			
		WEIGHT	CUSTOMER DRAWING			



PACKAGING OF SHIELD FINGER 1715  
ON CONTINUOUS TAPES

DIMENSIONS: 単位: 概 mm	TOLERANCES UNLESS OTHERWISE SPECIFIED: 一般公差	0 PLC ±-	1 PLC ±-	2 PLC ±-	3 PLC ±-	4 PLC ±-	FINISH 在工
MATERIAL 材料		3					
REV	SCALE	SHEET	RESTRICTED TO				
A2	5:1	1 OF 1	A2				