



Chipsmall Limited consists of a professional team with an average of over 10 year of expertise in the distribution of electronic components. Based in Hongkong, we have already established firm and mutual-benefit business relationships with customers from,Europe,America and south Asia,supplying obsolete and hard-to-find components to meet their specific needs.

With the principle of “Quality Parts,Customers Priority,Honest Operation,and Considerate Service”,our business mainly focus on the distribution of electronic components. Line cards we deal with include Microchip,ALPS,ROHM,Xilinx,Pulse,ON,Everlight and Freescale. Main products comprise IC,Modules,Potentiometer,IC Socket,Relay,Connector.Our parts cover such applications as commercial,industrial, and automotives areas.

We are looking forward to setting up business relationship with you and hope to provide you with the best service and solution. Let us make a better world for our industry!



## Contact us

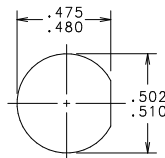
Tel: +86-755-8981 8866 Fax: +86-755-8427 6832

Email & Skype: info@chipsmall.com Web: www.chipsmall.com

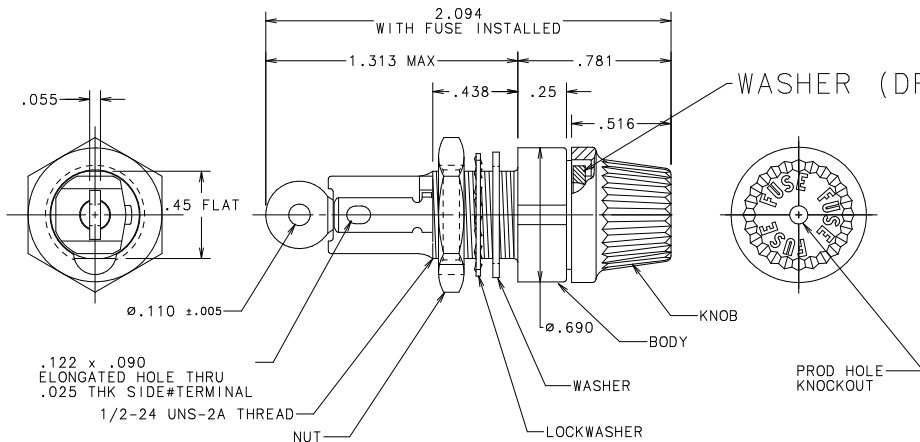
Address: A1208, Overseas Decoration Building, #122 Zhenhua RD., Futian, Shenzhen, China



COMPONENT	MATERIAL
KNOB & BODY	GRAY, DIALLYL PHTHALATE, MIL-M-14F, TYPE: SDG-F
SIDE TERMINAL	BRASS - BRIGHT SILVER (NOTE 3)
BOTTOM TERMINAL	BRASS - BRIGHT SILVER (NOTE 3)
KNOB INSERT	BRASS - SILVER
CONTACT CLIP	BeCu - SILVER
SPRING	BeCu ALLOY - SILVER
WHEN REQUIRED	
KNOB WASHER (DRIP-PROOF)	RUBBER
NUT	STEEL - ZINC PLATE WITH YELLOW CHROMATE
WASHER	SILICONE-ORANGE/RED
LOCKWASHER	STEEL - ZINC PLATE WITH SUPPLEMENTARY CHROMATE TREATMENT PER QQ-Z-325, CLASS 2, TYPE 2.



MOUNTING HOLE



NO	COMPONENT NO	DESCRIPTION	QTY/M	U/M
----	--------------	-------------	-------	-----

**BILL OF MATERIAL**

MATERIAL SPEC		FINISH	
DRW	JMB	DATE	SCALE
1 9 18		6/22/88	2=1
2 10 19			
3 12 20		DATE	SUPER DRW
4 13 21			
5 14 22		DATE	RAW STK WT
6 15 23			LBS/M
7 16 43		TOLERANCE UNLESS OTHERWISE SPECIFIED	
8 17 53		TWO PLACE DEC ±.01 FRACTION ±	
		THREE PLACE DEC ±.005 ANGULAR ±1°	

TITLE	3AG MINIATURE FUSEHOLDER
DESIGNER	W
DATE	03/4/2024
OUTLINE	



- NOTES:
1. GOVERNMENT DESIGNATION: MIL-F-19207/16B, STYLE FHN 26G2.
  2. "UL" & "CSA" RECOGNIZED UNDER THE COMPONENT PROGRAM.
  3. WHEN SOLDER DIPPED PER MIL SPEC'S, TOLERANCE COVERING HOLE DIMENSIONS IS ±.020.
  4. a) 0342024 CONSISTS OF BODY AND DRIP-PROOF KNOB ASSEMBLED, WASHER, NUT AND LOCKWASHER UNASSEMBLED.  
b) 0342024A CONSISTS OF BODY AND DRIP-PROOF KNOB ASSEMBLED, WASHER, NUT AND LOCKWASHER ASSEMBLED TO THE BODY.

UNLESS OTHERWISE SPECIFIED, DIMENSIONS DO NOT INCLUDE PLATING.  
 UNLESS OTHERWISE SPECIFIED, DIMENSIONS DO NOT INCLUDE PLATING.  
 DENOTES CRITICAL CHARACTERISTICS.  
 DENOTES CPK DIMENSIONS - MINIMUM CPK VALUE  
 DENOTES A CHARACTERISTIC THAT PROVIDES AN INDICATION  
 OF THE PROCESS CAPABILITY OF THE MANUFACTURING PROCEDURE FOR MEASUREMENT  
 OF THIS CHARACTERISTIC TO THE TOLERANCE SPECIFIED IN THE INSTRUCTIONS.  
 DENOTES CP DIMENSIONS - MINIMUM CP VALUE  
 DENOTES DIMENSIONS THAT ARE DIMENSIONAL LIMITATIONS  
 WHICH MAY BE WITHIN THE DIMENSIONAL LIMITATIONS  
 ALLOWED FOR MAXIMUM TOOL LIFE.

