



Chipsmall Limited consists of a professional team with an average of over 10 year of expertise in the distribution of electronic components. Based in Hongkong, we have already established firm and mutual-benefit business relationships with customers from,Europe,America and south Asia,supplying obsolete and hard-to-find components to meet their specific needs.

With the principle of “Quality Parts,Customers Priority,Honest Operation,and Considerate Service”,our business mainly focus on the distribution of electronic components. Line cards we deal with include Microchip,ALPS,ROHM,Xilinx,Pulse,ON,Everlight and Freescale. Main products comprise IC,Modules,Potentiometer,IC Socket,Relay,Connector.Our parts cover such applications as commercial,industrial, and automotives areas.

We are looking forward to setting up business relationship with you and hope to provide you with the best service and solution. Let us make a better world for our industry!



Contact us

Tel: +86-755-8981 8866 Fax: +86-755-8427 6832

Email & Skype: info@chipsmall.com Web: www.chipsmall.com

Address: A1208, Overseas Decoration Building, #122 Zhenhua RD., Futian, Shenzhen, China



IP67 Sealed Toggle Switches

Highest quality for the most demanding applications



3100 Series

Standard 15/32" diameter bushing. Standard Bat length is .560".

Current Rating	Catalog No.		Action	Termination
6A -125VAC, 3A-250VAC	3105C	Fig 1	SPST on-none-off	.250" QC
6A -125VAC, 3A-250VAC	3105D	Fig 2	SPST on-none-off	6" Wire Leads, #16 Gauge
6A -125VAC, 3A-250VAC	3101C	Fig 1	SPDT on-none-on	.250" QC
6A -125VAC, 3A-250VAC	3101D	Fig 2	SPDT on-none-on	6" Wire Leads, #16 Gauge
6A -125VAC, 3A-250VAC	3102C	Fig 1	SPDT on-off-on	.250" QC
6A -125VAC, 3A-250VAC	3102D	Fig 2	SPDT on-off-on	6" Wire Leads, #16 Gauge

3100 Series Toggle

Electrical Rating: 6A - 125 VAC , 3A - 250 VAC

Life Cycles: 25,000 **Electrical** (Optional 75,000 with silver rocker) 50,000 **Mechanical** (Optional 100,000 with silver rocker)

Operating Temp: -10 °C to +65 °C

Sealing: seal tested per IP67 standards to withstand submersion in water to a depth of 1 meter for 30 minutes, Meets IP68

UL Recognized File No. E66512, Vol 1, Sec.12

Dielectric Strength 1000 Volts RMS Minimum

Mounting Means 15/32" Bushing, Keyway .078 - .083 Wide X .037 - .043 Deep, Standard Hardware supplied

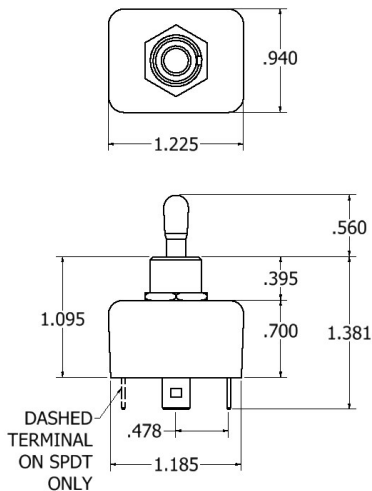


Fig 1

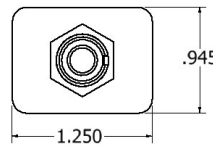
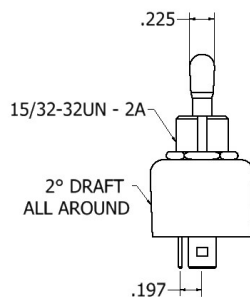
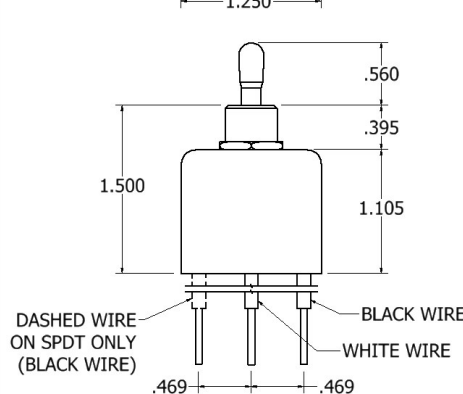


Fig 2



All Information subject to change without notice