



Chipsmall Limited consists of a professional team with an average of over 10 year of expertise in the distribution of electronic components. Based in Hongkong, we have already established firm and mutual-benefit business relationships with customers from,Europe,America and south Asia,supplying obsolete and hard-to-find components to meet their specific needs.

With the principle of “Quality Parts,Customers Priority,Honest Operation,and Considerate Service”,our business mainly focus on the distribution of electronic components. Line cards we deal with include Microchip,ALPS,ROHM,Xilinx,Pulse,ON,Everlight and Freescale. Main products comprise IC,Modules,Potentiometer,IC Socket,Relay,Connector.Our parts cover such applications as commercial,industrial, and automotives areas.

We are looking forward to setting up business relationship with you and hope to provide you with the best service and solution. Let us make a better world for our industry!



## Contact us

Tel: +86-755-8981 8866 Fax: +86-755-8427 6832

Email & Skype: info@chipsmall.com Web: www.chipsmall.com

Address: A1208, Overseas Decoration Building, #122 Zhenhua RD., Futian, Shenzhen, China



# Data Sheet

## RP025xxHBWC

Page 1/5

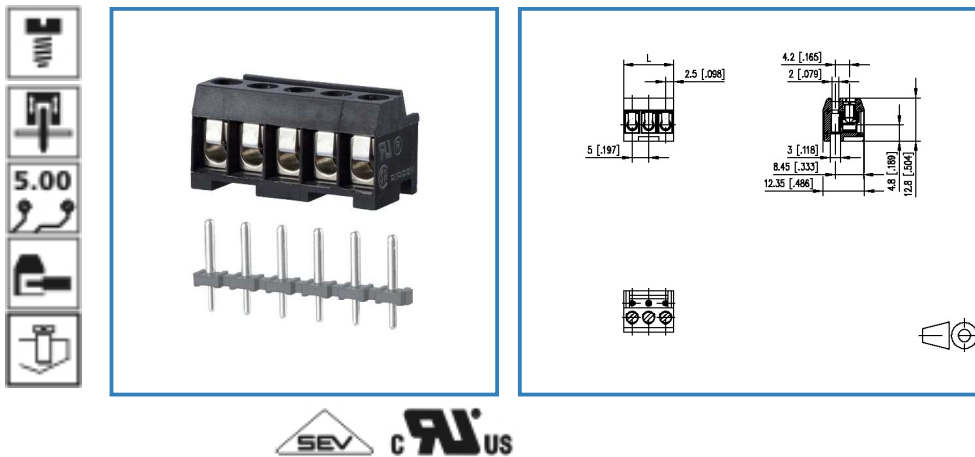
P/N

311071xx

xx=number of poles

2017/01/24

### Illustration



see enlarged drawing at the end of the document

### Product specification

- screw type terminal block, pluggable
- centerline 5.00 mm, direction of connection 90°
- wire protector, fittable without loss of poles
- color black
- Wire entry perpendicular to plug direction

# Data Sheet

## RP025xxHBWC

### Technical Data


#### General Data


Tightening torque SEV	0.5 Nm		
Tightening torque UL	6 lb-in		
min. number of poles	2		
max. number of poles	24		
Insulating material class	CTI 600		
clearance/creepage dist.	2.3 mm		
protection category	IP 00		
Overvoltage category	III	III	II
Pollution degree	3	2	2
Rated voltage	160 V	400 V	400 V
Rated test voltage	2.5 kV	2.5 kV	2.5 kV

#### Connection data

Rated wiring solid wire	0.08 - 2.5 mm <sup>2</sup> / AWG 28 - 12		
Rated wiring stranded wire	0.08 - 2.5 mm <sup>2</sup> / AWG 28 - 12		

#### Approvals

 V / A / AWG	300 / 10 / 28 - 12		
--	--------------------	--	--

	10 A / 250 V / 2.5 kV / 3 / IEC 61984 / 0.33 - 2.5 mm <sup>2</sup>		
--	---	--	--

#### Material

insulating material	PA66
flammability class	V0
contact material	CuSn
Glow-Wire Flammability GWFI	960
Glow-Wire Flammability GWIT	775
contact surface	Sn
terminal body material	CuZn
terminal body surface	Ni
screw surface	Zn Cr(VI)-frei/free
wire protector material	CuSn
wire protector surface	Sn
screw thread	M3

#### Climatic properties

upper limit temperature	105 °C
lower limit temperature	-40 °C



# Data Sheet

## RP025xxHBWC

Page 3/5

P/N

311071xx

xx=number of poles

2017/01/24

### General

---

Tolerance	ISO 2768 -mH
-----------	--------------

---





# Data Sheet

## RP025xxHBWC

Page 4/5

P/N

311071xx

xx=number of poles

2017/01/24

### Matching Part

P/N	Product name
310171	PR015xxVBHC Typ 017
310271	PR015xxVBVC Typ 027
310391	PT055xxHBHC Typ 039
310411	PT065xxVBEN Typ 041
310421	PT065xxVBVN Type 042
314171	PM035xxVBHC Typ 417

### Accessories

P/N	Product name
710084	710084
710085	710085
710121-2	710121
710122-2	710122
716846	716846



# Data Sheet

## RP025xxHBWC

Page 5/5

P/N

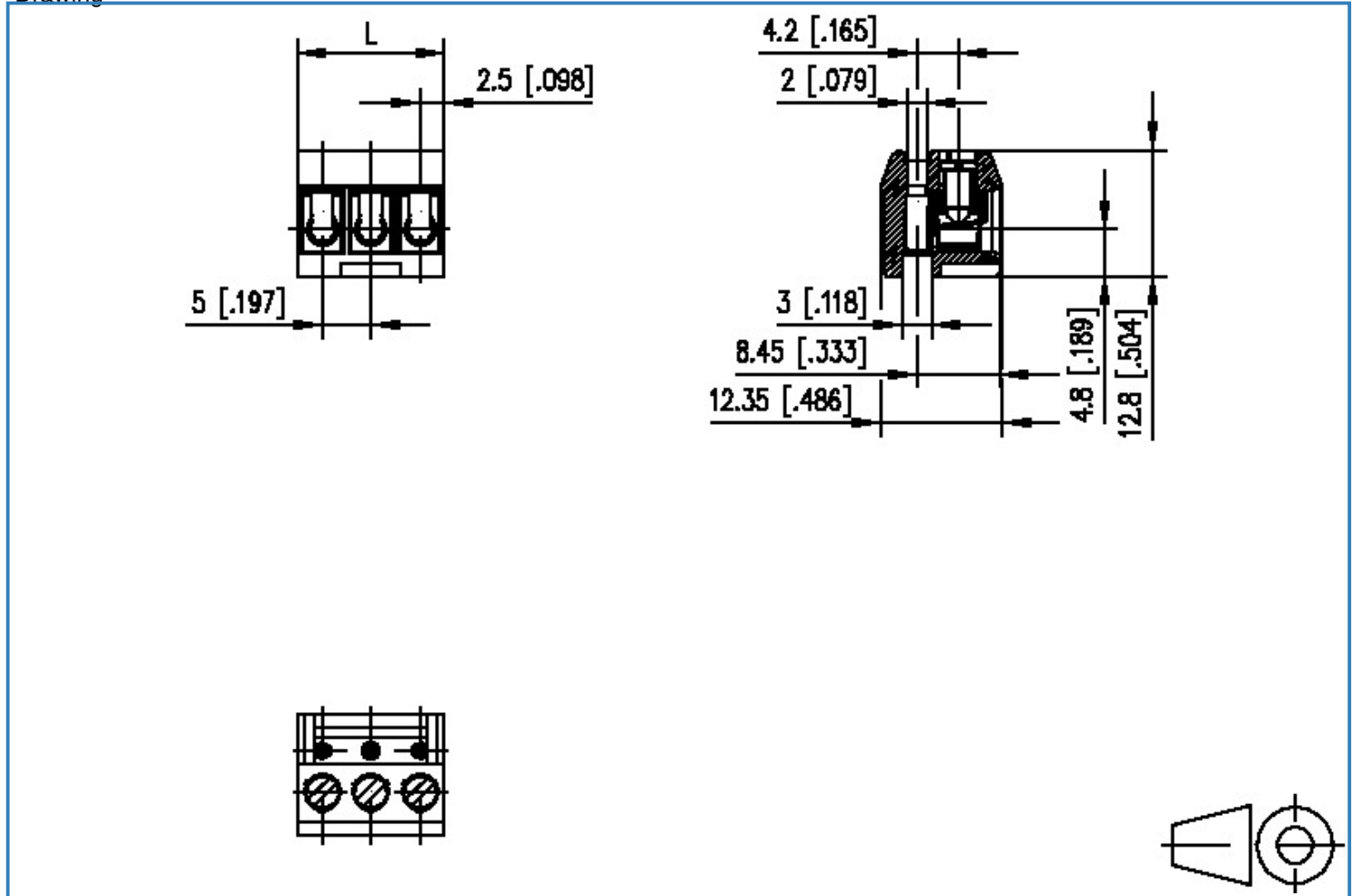
311071xx

xx=number of poles

2017/01/24

### Illustration

Drawing



$$L = (\text{pole size} - 1) \times \text{centerline} + 5 [0.197]$$