



Chipsmall Limited consists of a professional team with an average of over 10 year of expertise in the distribution of electronic components. Based in Hongkong, we have already established firm and mutual-benefit business relationships with customers from,Europe,America and south Asia,supplying obsolete and hard-to-find components to meet their specific needs.

With the principle of "Quality Parts,Customers Priority,Honest Operation,and Considerate Service",our business mainly focus on the distribution of electronic components. Line cards we deal with include Microchip,ALPS,ROHM,Xilinx,Pulse,ON,Everlight and Freescale. Main products comprise IC,Modules,Potentiometer,IC Socket,Relay,Connector.Our parts cover such applications as commercial,industrial, and automotives areas.

We are looking forward to setting up business relationship with you and hope to provide you with the best service and solution. Let us make a better world for our industry!



## Contact us

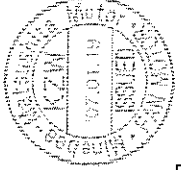
Tel: +86-755-8981 8866 Fax: +86-755-8427 6832

Email & Skype: info@chipsmall.com Web: www.chipsmall.com

Address: A1208, Overseas Decoration Building, #122 Zhenhua RD., Futian, Shenzhen, China

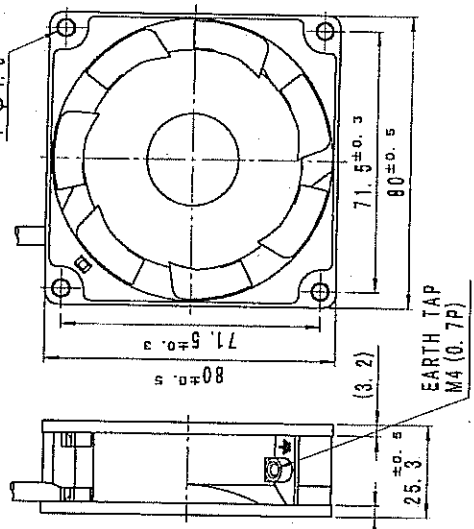
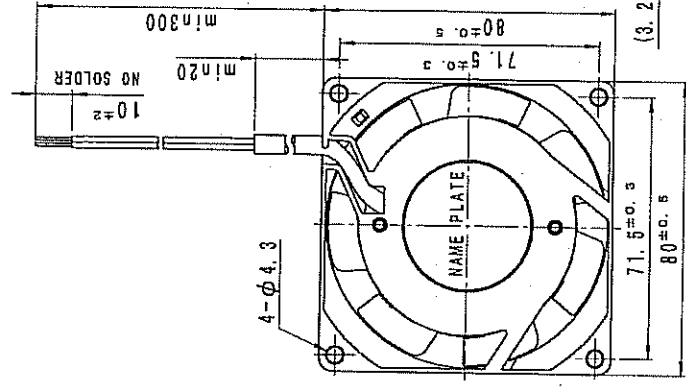
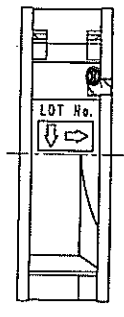


1	2	3	4	5	6	7
MARK	DATE	REASON/ECN NO.	ENG.	APR.		



**NOTE**

- ☆1 Guarantee AC 1500V 1 min
- ☆2 Designates average values
- ☆3 At 0 static pressure
- ☆4 At 0 Air Flow
- ☆5 Producing Country 'CHINA, JAPAN'
- ☆6 Between Frame and Lead Wire
- ☆7 To be free of defects on practical use after 100h of stored at -40°C ~ +70°C and 24h to ambient humidity.



項目 (ITEMS)	諸元 (DESCRIPTION)
モーターの種類 (MOTOR TYPE)	単相2極誘起リコイル誘導電動機 2P Single Ph. Shaded Pole Induction Motor
定格 (Rating)	
定格時間 (Duty)	連続 (Continuous)
電圧 (Voltage)	(V) 230
周波数 (Frequency)	(Hz) 50
使用電圧範囲 (Operating Voltage)	(V) 230 ±15%
起動電圧 (Starting Voltage)	(V) 180
定格回転速度 (Speed)	min (min <sup>-1</sup> ) 2500
定格電流 (Current)	max (A) 0.050
定格入力 (Input Power)	+15% (W) 7.5
最大風量 (Max. Air Flow)	(m <sup>3</sup> /min) 0.57
最大静圧 (Max. Static Pressure)	(Pa) 39.0
拘束電流 (Locked Rotor Current)	(A) 0.055
規格 (Standard)	
絶縁抵抗 (Insulation resistance)	☆6 DC500Vメガーにて100MΩ以上 (min 100MΩ BY DC500V Megger)
絶縁耐圧 (Dielectric Withstand Voltage)	☆1 ☆6 AC1500V, 50/60Hz, 3s
温度上昇 (Temperature Rise)	max 20 °C
抵抗法 (Resistance Method)	
期待できる平均寿命 (Life Expectation)	max 50 °C 常温常湿にて50,000時間 (50,000h at 20 °C ±15 °C, 65% ±20%RH)
許容環境温度範囲 (Allowable Ambient Temperature)	-10 °C ~ +70 °C (Operating) -40 °C ~ +70 °C (Storage) ☆7 (No dew formation at operating and storage condition) 薬用上さしつかえない状態で結露無きこと
表面処理 (Surface Treatment)	黒色塗装 (Black Painting)
質量 (Mass : kg)	0.24
騒音 (Noise : dB) ☆2	24/31 (50/60Hz, 傾面より1m) (50/60Hz, 1m aside)
保護方式 (Protection)	インピーダンス プロテクト (Impedance Protected)
絶縁耐電圧 (Insulation Class)	E種 (class A)
型式許可番号	
UL File No.	
CSA File No.	
European Standard No.	
構造 (Structure)	ポールベアリング (Ball Bearings)
結晶 (Sintering)	UL3259 CSA CL12B2 AWG22 Color Black
リードワイヤー (Lead Wire)	
リードチューブ (Lead Tube)	PVC Tube UL認可品 UL APPROVAL

**NMB-MAT**  
Nippon Motor Bearing  
ミネベア・松下モーター株式会社

APPROVED	CHECKED	DRAWN
TKTN	NKJM	SND

単位 (UNIT)	mm
尺寸 (SCALE)	1:1
寸法 (DIMENSION)	mm
公差 (TOLERANCE)	mm
表面処理 (FINISH)	表面処理
材質 (MATERIAL)	鉄鋼材料 SURF. ROUGH
熱処理 (HEAT TREAT)	熱処理
検査 (INSPECTION)	検査

作製日 (DATE)	2006 / 12 / 27
品名 (DESCRIPTION)	AC FAN MOTOR
部品番号 (PART NO. MODEL NO.)	3110MS-23W-B30
図番 (DRAWING NO.)	3110MS-23W-B30
製図 (DRAWING)	1 / 1
訂正 (REV.)	訂正

特記事項 NOTE  
 (1) 本仕様書に記載されていない項目で特に括弧の必要項目は事前に御連絡下さい。  
 SPECIFICATIONS WILL BE SPECIFIED BETWEEN MANUFACTURER AND CUSTOMER, IF CUSTOMER REQUIRED ANY OTHER SPECIFICATION FROM SPECIFICATIONS.  
 (2) 当仕様書範囲において性能向上の為、部品等一部変更する場合があります。  
 PARTS DESIGN WILL BE CHANGED WITHOUT ANY INFORMATION DUE TO IMPROVE THE MOTOR CHARACTERISTICS BY UNDER SPECIFIED SPECIFICATIONS.  
 (3) 保管はできる限り6ヶ月以内とし、高温多湿の場所は避けて下さい。  
 STORAGE TERMS SHOULD BE WITHIN 6 MONTHS AS MUCH AS POSSIBLE, AND SHOULD NOT BE KEPT IN HIGH TEMPERATURE AND HIGH HUMIDITY AREA.