



Chipsmall Limited consists of a professional team with an average of over 10 year of expertise in the distribution of electronic components. Based in Hongkong, we have already established firm and mutual-benefit business relationships with customers from,Europe,America and south Asia,supplying obsolete and hard-to-find components to meet their specific needs.

With the principle of “Quality Parts,Customers Priority,Honest Operation,and Considerate Service”,our business mainly focus on the distribution of electronic components. Line cards we deal with include Microchip,ALPS,ROHM,Xilinx,Pulse,ON,Everlight and Freescale. Main products comprise IC,Modules,Potentiometer,IC Socket,Relay,Connector.Our parts cover such applications as commercial,industrial, and automotives areas.

We are looking forward to setting up business relationship with you and hope to provide you with the best service and solution. Let us make a better world for our industry!



Contact us

Tel: +86-755-8981 8866 Fax: +86-755-8427 6832

Email & Skype: info@chipsmall.com Web: www.chipsmall.com

Address: A1208, Overseas Decoration Building, #122 Zhenhua RD., Futian, Shenzhen, China



General Specifications

- Motor Structure: Shaded Pole Induction Motor
- Motor Protection: Impedance Protection
- Insulation Resistance: 10M Ω or over with a DC500V Megger
- Dielectric Withstand Voltage: AC 700V 1s
- Allowable Ambient Temperature Range:
 - 10°C ~ +70°C (Operating)
 - 40°C ~ +70°C (Storage)
 - (non-condensing environment)

Expected Life

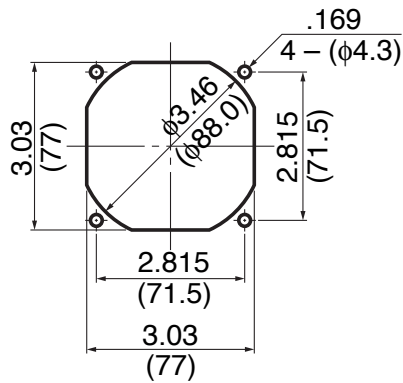
- Failure Rate: 10%
- 25°C 100,000 Hours

Material

- Casing : Aluminum (Black Painting)
- Impeller : Plastic (Black) UL94V-0
- Bearing : Ball Bearing
- Lead Wire : AWG22, UL3266
- or Terminal : Faston #110 or equivalent

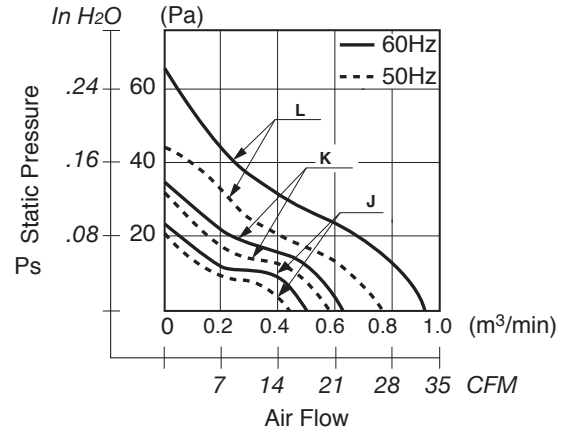
Panel Cut-Outs

Units: $\frac{\text{inch}}{\text{mm}}$

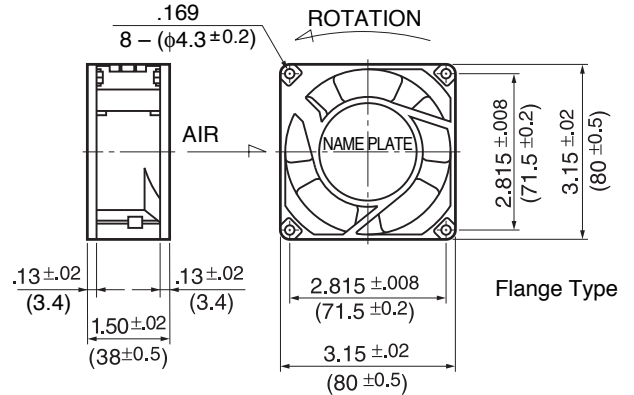


INLET SIDE / OUTLET SIDE

Characteristic Curves



Outline



Specifications

MODEL	LEGACY P/N	Rated Voltage	Frequency	Starting Voltage	Current	Input Power	Speed	Max. Air Flow		Max. Static Pressure		Noise	Mass
		(V)	(Hz)	(V)	(A) ^{*1}	(W)	(min ⁻¹) ^{*2}	CFM ^{*1}	(m ³ /min) ^{*2}	in H ₂ O	(Pa) ^{*2}	(dB) ^{*2}	(g)
** 08038PB-A0J-EA-00	3115PS-10T-B10-B00	100	50	65	0.065	4.5	1700	17.6	0.50	.06	16.6	23.0	270
		100	60	65	0.055	4.0	1900	19.4	0.55	.08	21.5	25.0	270
** 08038PB-A0K-EA-00	3115PS-10T-B20-B00	100	50	65	0.080	4.5	2100	21.0	0.60	.10	24.5	29.0	270
		100	60	65	0.070	4.0	2300	24.0	0.68	.12	29.4	32.0	270
** 08038PB-A0L-EA-00	3115PS-10T-B30-B00	100	50	65	0.170	9.0	2700	26.5	0.75	.14	34.3	33.0	270
		100	60	65	0.120	7.0	3200	32.0	0.90	.20	49.0	38.0	270
08038PB-A1J-EA-00	3115PS-12T-B10-A00	115	50	75	0.060	4.5	1700	17.6	0.50	.06	16.6	23.0	270
		115	60	75	0.055	4.0	1900	19.4	0.55	.08	21.5	25.0	270
08038PB-A1K-EA-00	3115PS-12T-B20-A00	115	50	75	0.080	5.0	2100	21.0	0.60	.10	24.5	29.0	270
		115	60	75	0.070	4.5	2300	24.0	0.68	.12	29.4	32.0	270
08038PB-A1L-EA-00	3115PS-12T-B30-A00	115	50	75	0.140	9.0	2700	26.5	0.75	.14	34.3	33.0	270
		115	60	75	0.110	7.0	3200	32.0	0.90	.20	49.0	38.0	270
** 08038PB-B0J-EA-00	3115PS-20T-B10-B00	200	50	130	0.045	4.5	1700	17.6	0.50	.06	16.6	23.0	270
		200	60	160	0.040	4.0	1900	19.4	0.55	.08	21.5	26.0	270
** 08038PB-B0K-EA-00	3115PS-20T-B20-B00	200	50	130	0.040	4.5	2100	21.0	0.60	.10	24.5	29.0	270
		200	60	160	0.035	4.0	2300	24.0	0.68	.13	31.3	32.0	270
** 08038PB-B0L-EA-00	3115PS-20T-B30-B00	200	50	130	0.080	9.0	2700	26.5	0.75	.14	34.3	33.0	270
		200	60	130	0.060	7.0	3200	32.0	0.90	.20	49.0	38.0	270
** 08038PB-B2J-EA-00	3115PS-22T-B10-B00	220	50	150	0.050	5.5	1750	17.6	0.50	.06	16.6	23.0	270
		220	60	150	0.045	4.5	2000	21.2	0.60	.09	23.5	26.0	270
** 08038PB-B2K-EA-00	3115PS-22T-B20-B00	220	50	165	0.045	6.0	2200	22.0	0.63	.10	24.5	29.0	270
		220	60	165	0.040	5.0	2400	25.4	0.72	.13	31.3	34.0	270
** 08038PB-B2L-EA-00	3115PS-22T-B30-B00	220	50	150	0.070	9.0	2700	26.5	0.75	.14	34.3	33.0	270
		220	60	150	0.060	7.0	3200	32.0	0.90	.20	49.0	38.0	270
08038PB-B3J-EA-00	3115PS-23T-B10-A00	230	50	150	0.055	6.0	1800	17.6	0.50	.07	17.6	23.0	270
		230	60	150	0.050	5.0	2100	22.0	0.63	.10	24.5	26.0	270
08038PB-B3K-EA-00	3115PS-23T-B20-A00	230	50	150	0.050	7.0	2200	22.0	0.63	.10	24.5	30.0	270
		230	60	150	0.045	6.0	2500	26.0	0.74	.14	35.2	34.0	270
08038PB-B3L-EA-00	3115PS-23T-B30-A00	230	50	150	0.070	10.0	2700	26.5	0.75	.14	34.3	33.0	270
		230	60	150	0.055	8.0	3200	32.0	0.90	.20	49.0	38.0	270
** 08038PB-B4J-EA-00	3115PS-24T-B10-A00	240	50	150	0.060	7.0	1800	17.6	0.50	.07	17.6	23.0	270
		240	60	150	0.055	6.0	2150	21.6	0.64	.10	25.4	26.0	270
** 08038PB-B4K-EA-00	3115PS-24T-B20-A00	240	50	150	0.055	7.0	2200	22.0	0.63	.10	24.5	30.0	270
		240	60	150	0.045	6.0	2600	26.5	0.75	.15	37.2	35.0	270
** 08038PB-B4L-EA-00	3115PS-24T-B30-A00	240	50	150	0.075	12.0	2700	26.5	0.75	.14	34.3	33.0	270
		240	60	150	0.060	9.0	3200	32.0	0.90	.20	49.0	38.0	270

Rotation: Counterclockwise

Airflow Outlet: Air Out Over Struts

** Contact NMB for Availability

*1: Maximum Values in Free Air

*2: Average Values in Free Air

*3: Minimum Values in Free Air