



Chipsmall Limited consists of a professional team with an average of over 10 year of expertise in the distribution of electronic components. Based in Hongkong, we have already established firm and mutual-benefit business relationships with customers from,Europe,America and south Asia,supplying obsolete and hard-to-find components to meet their specific needs.

With the principle of “Quality Parts,Customers Priority,Honest Operation,and Considerate Service”,our business mainly focus on the distribution of electronic components. Line cards we deal with include Microchip,ALPS,ROHM,Xilinx,Pulse,ON,Everlight and Freescale. Main products comprise IC,Modules,Potentiometer,IC Socket,Relay,Connector.Our parts cover such applications as commercial,industrial, and automotives areas.

We are looking forward to setting up business relationship with you and hope to provide you with the best service and solution. Let us make a better world for our industry!



## Contact us

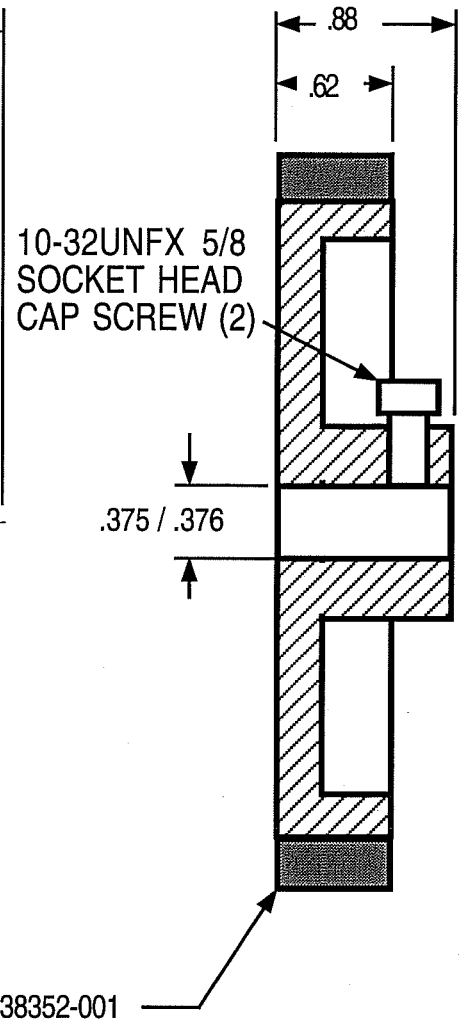
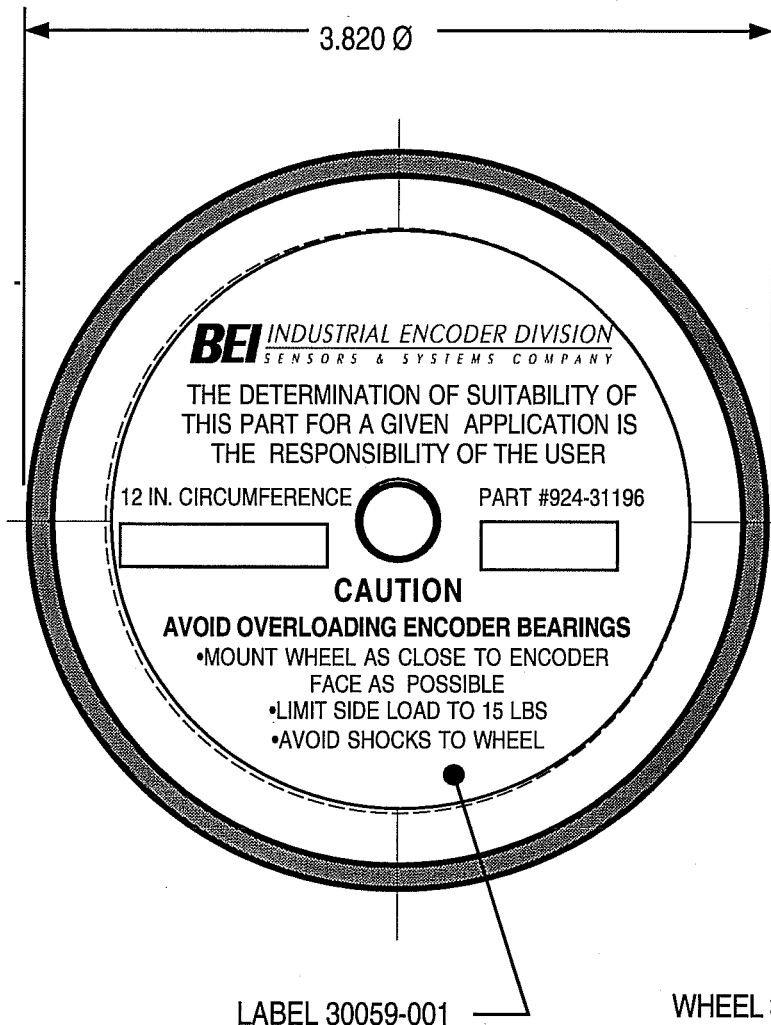
Tel: +86-755-8981 8866 Fax: +86-755-8427 6832

Email & Skype: info@chipsmall.com Web: www.chipsmall.com

Address: A1208, Overseas Decoration Building, #122 Zhenhua RD., Futian, Shenzhen, China



Next Assy	Used on	Ltr	Revision	Date
		B	PN ON LABEL WAS 31195	3/31/99
		C	5/8 LENGTH ADDED TO SCREW CALLOUT	7/14/99
		D	REMOVED INK MARKINGS	1/9/02



All drawings and specifications are and remain the property of BEI Motion Systems Company. All specifications are confidential and are not to be disclosed to any persons other than those to whom they are sent. No drawings, specifications or other data belonging to BEI Motion Systems Company which may be furnished to manufacturers or others for any purpose are to be regarded by implication or otherwise as in any manner licensing the holder or any other person or corporation or conveying any rights or permission to manufacture, use or sell any patented invention that may in any way be related thereto

Unless otherwise specified: Dimensions are in inches. Tolerances: XXX = .005 xx = ±.01	<b>BEI INDUSTRIAL ENCODER DIVISION</b> <b>BEI TECHNOLOGIES, INC.</b> 7230 Hollister Avenue • Goleta, CA 93117-2891 • Tel: (805) 968-0782 • Fax: (805) 968-3154
--	--

Material	Drawn	<b>MEASURING WHEEL ASSY, 12" CIRCUMFERENCE</b>		
	App'd <i>DVC</i>			
Finish	Scale	Code Ident. No.	Dwg. No.	Rev.
		<b>64127</b>	<b>924-31196-001</b>	<b>D</b>