



Chipsmall Limited consists of a professional team with an average of over 10 year of expertise in the distribution of electronic components. Based in Hongkong, we have already established firm and mutual-benefit business relationships with customers from,Europe,America and south Asia,supplying obsolete and hard-to-find components to meet their specific needs.

With the principle of “Quality Parts,Customers Priority,Honest Operation,and Considerate Service”,our business mainly focus on the distribution of electronic components. Line cards we deal with include Microchip,ALPS,ROHM,Xilinx,Pulse,ON,Everlight and Freescale. Main products comprise IC,Modules,Potentiometer,IC Socket,Relay,Connector.Our parts cover such applications as commercial,industrial, and automotives areas.

We are looking forward to setting up business relationship with you and hope to provide you with the best service and solution. Let us make a better world for our industry!



## Contact us

Tel: +86-755-8981 8866 Fax: +86-755-8427 6832

Email & Skype: info@chipsmall.com Web: www.chipsmall.com

Address: A1208, Overseas Decoration Building, #122 Zhenhua RD., Futian, Shenzhen, China



THIS DRAWING IS UNPUBLISHED.

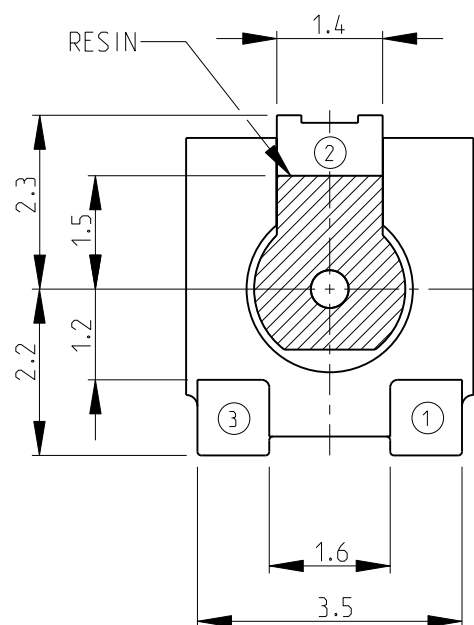
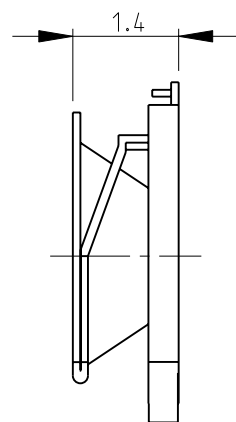
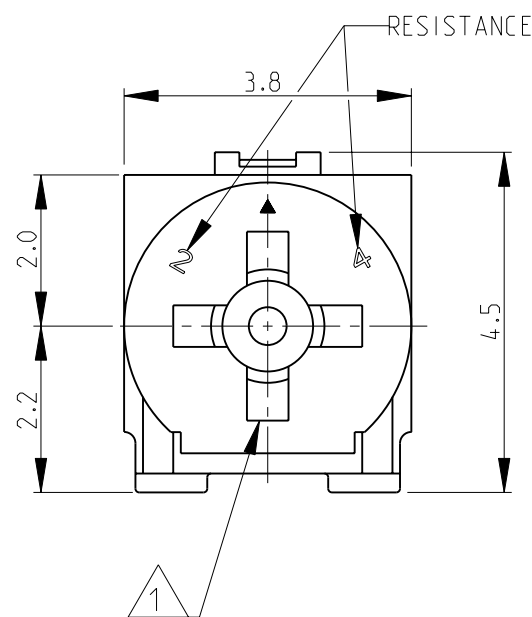
RELEASED FOR PUBLICATION

2008

© COPYRIGHT 2008 BY -

ALL RIGHTS RESERVED.

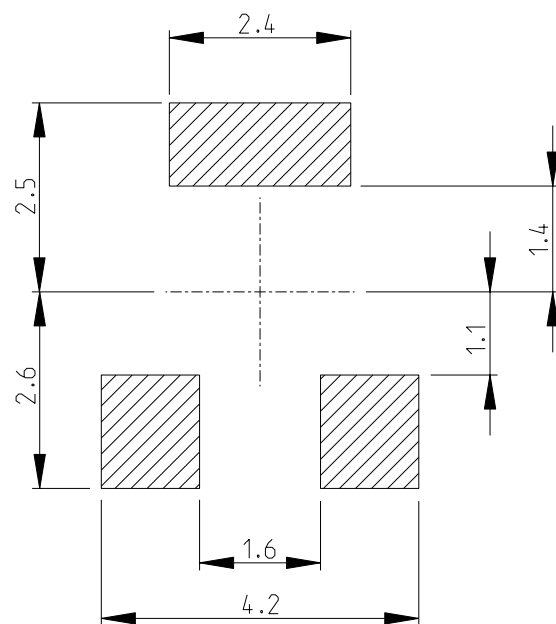
LOC	DIST	REVISIONS				
P	LTR	DESCRIPTION	DATE	DWN	APVD	
E	B	BB1	REVISED PER ECO-11-005150	29MAR2011	RK	HMR



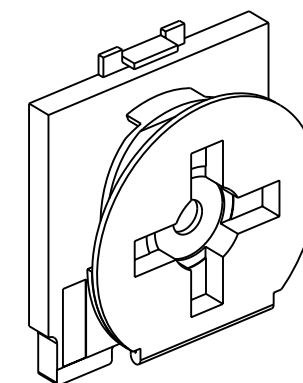
1 DRIVER SLOT: WIDTH- 0.55mm, LENGTH- 2.5mm, DEPTH- 0.35mm

2 FOR FURTHER INFORMATION SEE DATA SHEET FOR 3150 SERIES-SMD ECONOMY TRIMMERS

RECOMMENDED LAND PATTERN



RoHS Compliant



THIS DRAWING IS A CONTROLLED DOCUMENT.

DWN	SUBHASH.M	12-NOV-08
CHK	PRAKASH.S	12-NOV-08
APVD	STEPHEN.P	12-NOV-08



DIMENSIONS:	TOLERANCES UNLESS OTHERWISE SPECIFIED:
mm	
	0 PLC ± 0.2
	1 PLC ± 0.1
	2 PLC ± -
	3 PLC ± -
	4 PLC ± -
ANGLES	± 5°
MATERIAL	FINISH
-	-

NAME	SMD ECONOMY TRIMMERS
PRODUCT SPEC	SERIES 3150
APPLICATION SPEC	-
WEIGHT	0.2g
CUSTOMER DRAWING	

SIZE	CAGE CODE	DRAWING NO	RESTRICTED TO
A3	00779	1623913	-
SCALE	SHEET	OF	REV
10:1	1	1	BB1