



Chipsmall Limited consists of a professional team with an average of over 10 year of expertise in the distribution of electronic components. Based in Hongkong, we have already established firm and mutual-benefit business relationships with customers from,Europe,America and south Asia,supplying obsolete and hard-to-find components to meet their specific needs.

With the principle of “Quality Parts,Customers Priority,Honest Operation,and Considerate Service”,our business mainly focus on the distribution of electronic components. Line cards we deal with include Microchip,ALPS,ROHM,Xilinx,Pulse,ON,Everlight and Freescale. Main products comprise IC,Modules,Potentiometer,IC Socket,Relay,Connector.Our parts cover such applications as commercial,industrial, and automotives areas.

We are looking forward to setting up business relationship with you and hope to provide you with the best service and solution. Let us make a better world for our industry!



## Contact us

Tel: +86-755-8981 8866 Fax: +86-755-8427 6832

Email & Skype: info@chipsmall.com Web: www.chipsmall.com

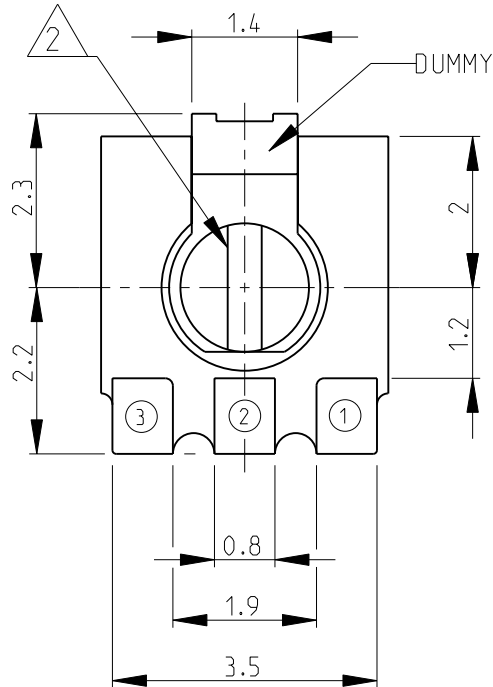
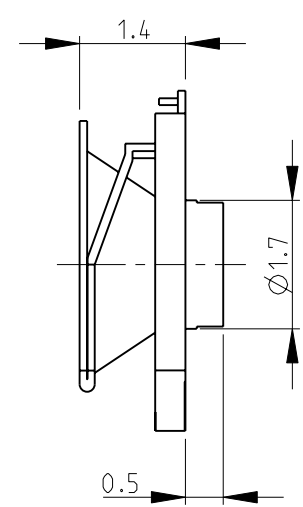
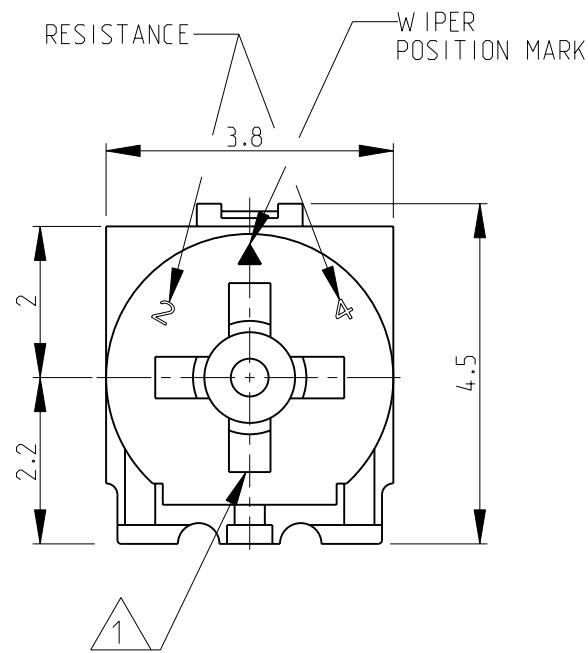
Address: A1208, Overseas Decoration Building, #122 Zhenhua RD., Futian, Shenzhen, China



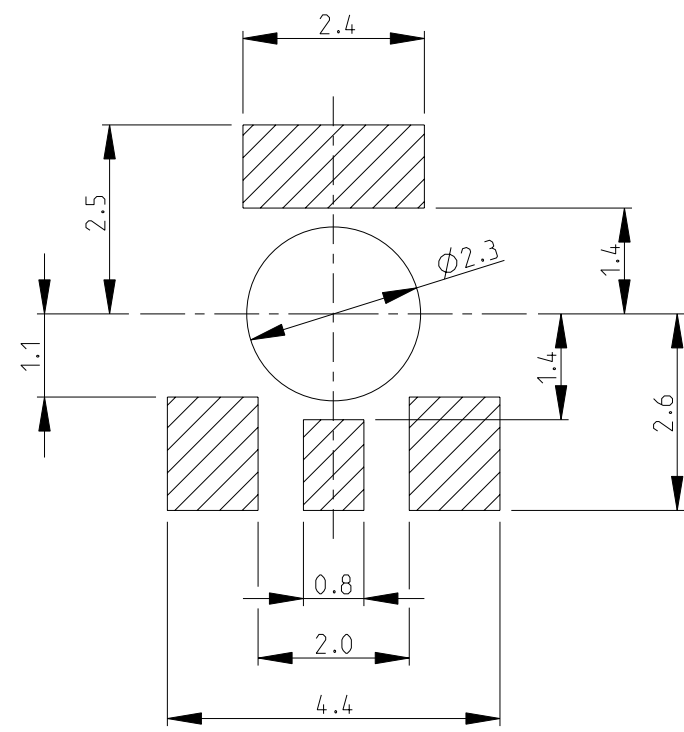
THIS DRAWING IS UNPUBLISHED. RELEASED FOR PUBLICATION 2008  
 © COPYRIGHT 2008 BY TYCO ELECTRONICS CORPORATION. ALL RIGHTS RESERVED.

LOC	DIST	REVISIONS			
P	LTR	DESCRIPTION	DATE	DWN	APVD
E	B	BA	NEW RELEASE	01-DEC-08	SM St.P

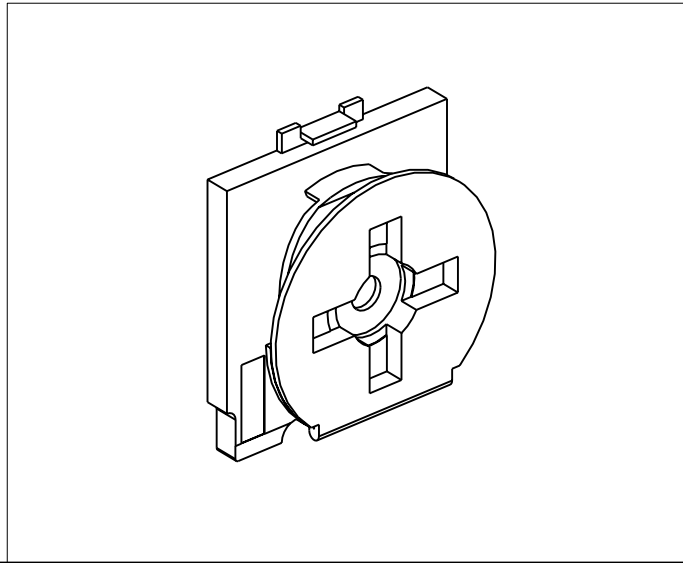
- 1 TOP DRIVER SLOT: WIDTH- 0.55; LENGTH- 2.5; DEPTH- 0.3
- 2 BOTTOM DRIVER SLOT: WIDTH- 0.45; DEPTH- 0.35
- 3 FOR FURTHER INFORMATION SEE DATA SHEET FOR 3150 SERIES-SMD ECONOMY TRIMMERS



RECOMMENDED LAND PATTERN



RoHS Compliant



THIS DRAWING IS A CONTROLLED DOCUMENT FOR TYCO ELECTRONICS CORPORATION IT IS SUBJECT TO CHANGE AND THE CONTROLLING ENGINEERING ORGANIZATION SHOULD BE CONTACTED FOR THE LATEST REVISION.		DWN	SUBHASH.M	01-DEC-08	Tyco Electronics Corporation Dorcan, Swindon, SN3 5HH
DIMENSIONS: mm		CHK	PRAKASH.S	01-DEC-08	
		APVD	STEPHEN.P	01-DEC-08	
TOLERANCES UNLESS OTHERWISE SPECIFIED:		NAME		SMD ECONOMY TRIMMERS SERIES 3155	
0 PLC ±0.2		PRODUCT SPEC		-	
1 PLC ±0.1		APPLICATION SPEC		-	
2 PLC ±-		WEIGHT		-	
3 PLC ±-		SIZE		A3	
4 PLC ±-		CAGE CODE		00779	
ANGLES ±5°		DRAWING NO		1623914	
FINISH -		RESTRICTED TO		-	
MATERIAL -		SCALE		10:1	
CUSTOMER DRAWING		SHEET		1 OF 1	
		REV		BA	