



Chipsmall Limited consists of a professional team with an average of over 10 year of expertise in the distribution of electronic components. Based in Hongkong, we have already established firm and mutual-benefit business relationships with customers from,Europe,America and south Asia,supplying obsolete and hard-to-find components to meet their specific needs.

With the principle of “Quality Parts,Customers Priority,Honest Operation,and Considerate Service”,our business mainly focus on the distribution of electronic components. Line cards we deal with include Microchip,ALPS,ROHM,Xilinx,Pulse,ON,Everlight and Freescale. Main products comprise IC,Modules,Potentiometer,IC Socket,Relay,Connector.Our parts cover such applications as commercial,industrial, and automotives areas.

We are looking forward to setting up business relationship with you and hope to provide you with the best service and solution. Let us make a better world for our industry!



Contact us

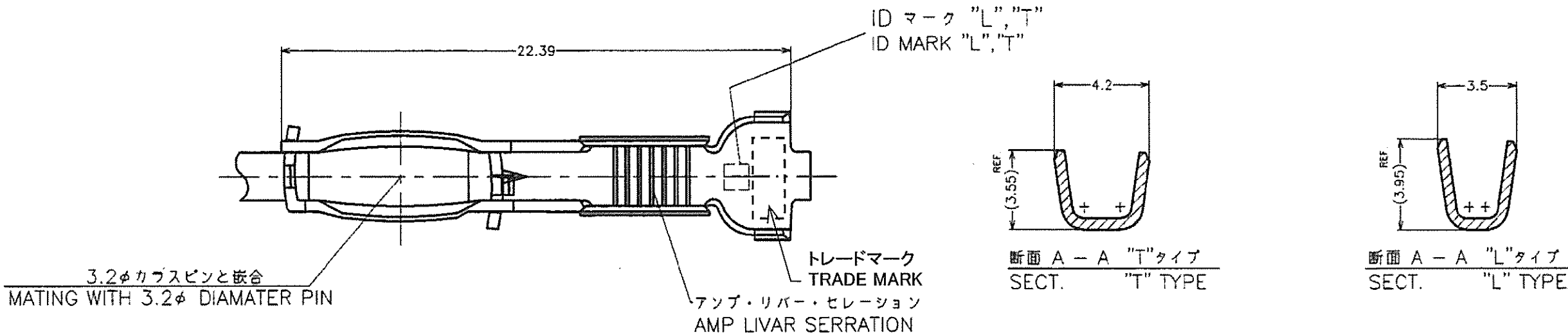
Tel: +86-755-8981 8866 Fax: +86-755-8427 6832

Email & Skype: info@chipsmall.com Web: www.chipsmall.com

Address: A1208, Overseas Decoration Building, #122 Zhenhua RD., Futian, Shenzhen, China

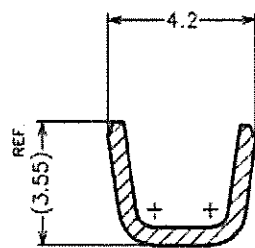


LOC	DIST	REVISIONS						
J	-	P	LTR	DESCRIPTION	ECN	DATE	DWN	APVD
		C		REVISED ECR-07-011381		21MAY'07	J.S	S.M

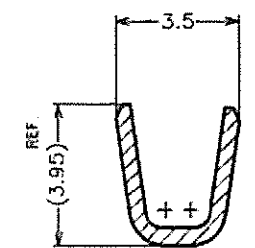


3.2φカブスピンと嵌合
MATING WITH 3.2φ DIAMETER PIN

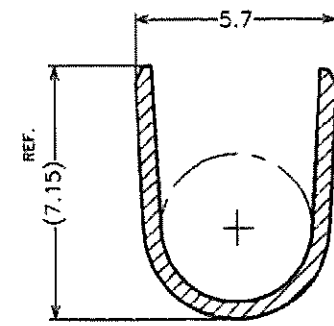
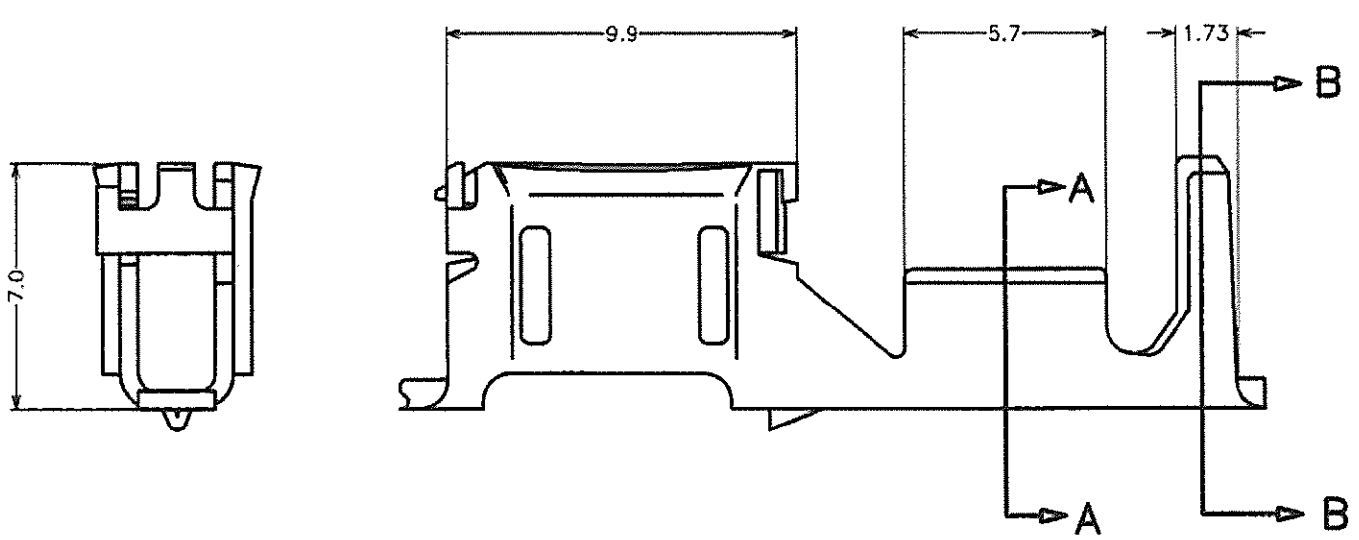
トレードマーク
TRADE MARK
アンプ・リバー・セレーション
AMP LIVAR SERRATION



断面 A-A "T"タイプ
SECT. "T" TYPE



断面 A-A "L"タイプ
SECT. "L" TYPE



断面 B-B "L","T"タイプ
SECT. "L","T" TYPE

注記:

- 1.適用ハウジング : X-316293-X
- 2.一般公差 : 10 ≧ : ±0.2
 > 10 : ±0.25

NOTES;

- 1.APPLICABLE HSG : X-316293-X
- 2.TOLERANCES; 10 ≧ : ±0.2
 > 10 : ±0.25

THIS DRAWING IS A CONTROLLED DOCUMENT.		DWN	M.SUZUKI	27.JUN.'00
DIMENSIONS: 単位: 特 MM		CHK	M.SHINDO	27.JUN.'00
TOLERANCES UNLESS OTHERWISE SPECIFIED: 一般公差		APVD	Y.KASHIWA	27.JUN.'00
0-PLC	±	PRODUCT SPEC	108-5494	
1-PLC	±	APPLICATION SPEC	114-5215	
2-PLC	±	取付適用規格		
3-PLC	±	WEIGHT	-	
4-PLC	±	CUSTOMER DRAWING		
ANGLES	±3	FINISH	錫めっき	
MATERIAL	磷青銅	PHOS BRO		
TIN PLATED		SIZE	A3	CAGE CODE
		DRAWING NO	00779 C-316292	
		SCALE	5:1	SHEET
		REV	C	

T	0.76~2.86 mm ² (AWG#18~#13)	316292-5
L	0.76~2.6 mm ² (AWG#18~#13)	316292-1
ID マーク ID MARK	包含電線断面積 WIRE RANGE	型番 P/N
WIRE RANGE 包含電線断面積	表参照 SEE TABLE	INSULATION DIA 被覆外径
		1.6~4.0

Tyco Electronics		Tyco Electronics AMP K.K. Kawasaki, Japan	
NAME 名称		3.2φ クラスター リブ付タクル "L","T"タイプ 3.2φ CLUSTER REC. "L","T" TYPE	
RESTRICTED TO			

参考図面