



Chipsmall Limited consists of a professional team with an average of over 10 year of expertise in the distribution of electronic components. Based in Hongkong, we have already established firm and mutual-benefit business relationships with customers from,Europe,America and south Asia,supplying obsolete and hard-to-find components to meet their specific needs.

With the principle of “Quality Parts,Customers Priority,Honest Operation,and Considerate Service”,our business mainly focus on the distribution of electronic components. Line cards we deal with include Microchip,ALPS,ROHM,Xilinx,Pulse,ON,Everlight and Freescale. Main products comprise IC,Modules,Potentiometer,IC Socket,Relay,Connector.Our parts cover such applications as commercial,industrial, and automotives areas.

We are looking forward to setting up business relationship with you and hope to provide you with the best service and solution. Let us make a better world for our industry!



Contact us

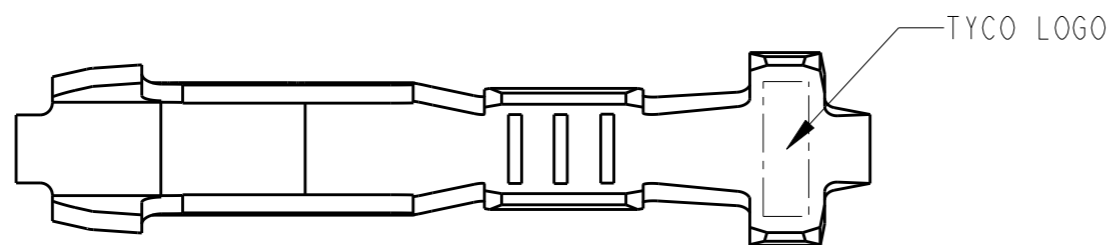
Tel: +86-755-8981 8866 Fax: +86-755-8427 6832

Email & Skype: info@chipsmall.com Web: www.chipsmall.com

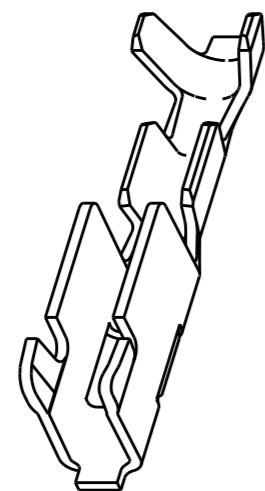
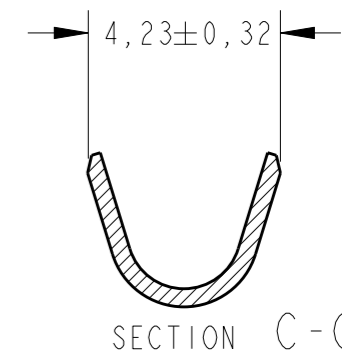
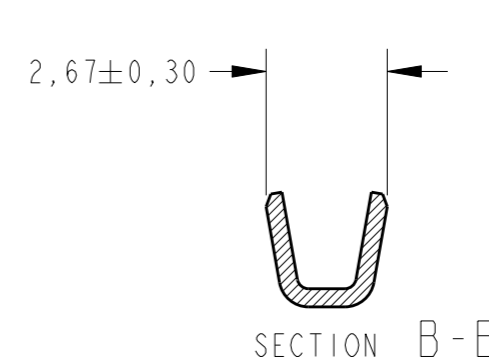
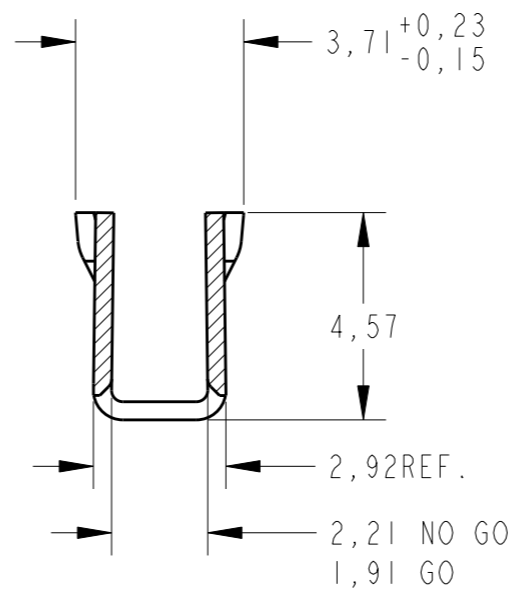
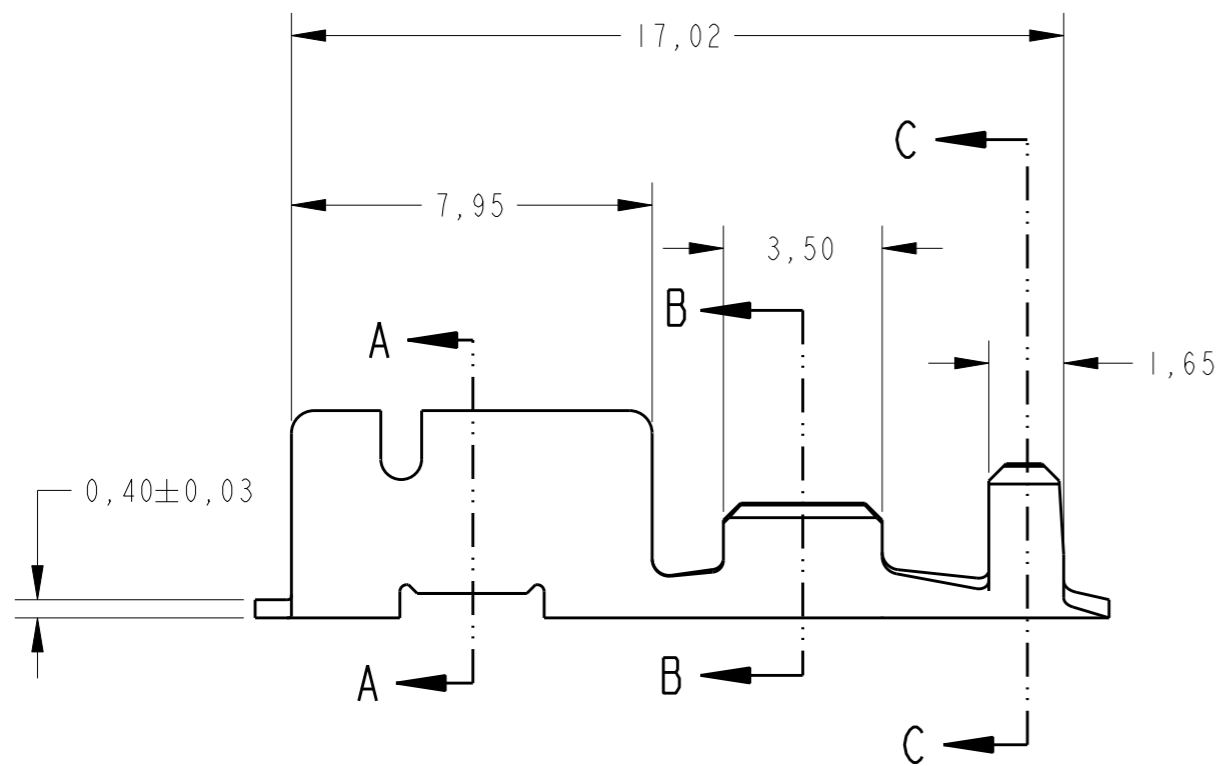
Address: A1208, Overseas Decoration Building, #122 Zhenhua RD., Futian, Shenzhen, China



LOC	DIST	REVISIONS				
P	LTR	DESCRIPTION	DATE	DWN	APVD	
AP	-					
	O	RELEASED WAS 2002-LB00-0160-01	20MAY03	H.C	WLS	
	A	REV. ECO 12-014016	01AUG2012	HC	WLS	



1 - FITA CONTINUA EM BOBINA.
CONTINUOUS STRIP ON REEL.



SCALE 4:1

$\varnothing 1,3/2,4\text{mm}$	$0,3/0,75\text{ mm}^2$	POS TIN PLATED	PH BRONZE H03	1599105-1
INSULATION RANGE	WIRE RANGE	FINISH	MATERIAL	PART NUMBER

THIS DRAWING IS A CONTROLLED DOCUMENT.		DWN 08JAN2003 H.C.CANTERI	TE Connectivity	
DIMENSIONS: mm		CHK 08JAN2003 W.L.STEFANI		
TOLERANCES UNLESS OTHERWISE SPECIFIED:		APVD 20MAY03 W.L.STEFANI	NAME RECEPTACLE, CLUSTER PIN, 2.29 (.090) DIA.	
0 PLC ±-		PRODUCT SPEC	-	
1 PLC ±-		APPLICATION SPEC	-	
2 PLC ±0,25		WEIGHT	-	
3 PLC ±-		CUSTOMER DRAWING	-	
4 PLC ±-		SCALE 6/1	SHEET 1 OF 1	
ANGLES ±-		RESTRICTED TO	-	
FINISH -		SIZE A3	CAGE CODE 00779	DRAWING NO C-1599105
MATERIAL SEE TABLE		REV A		