



Chipsmall Limited consists of a professional team with an average of over 10 year of expertise in the distribution of electronic components. Based in Hongkong, we have already established firm and mutual-benefit business relationships with customers from,Europe,America and south Asia,supplying obsolete and hard-to-find components to meet their specific needs.

With the principle of “Quality Parts,Customers Priority,Honest Operation,and Considerate Service”,our business mainly focus on the distribution of electronic components. Line cards we deal with include Microchip,ALPS,ROHM,Xilinx,Pulse,ON,Everlight and Freescale. Main products comprise IC,Modules,Potentiometer,IC Socket,Relay,Connector.Our parts cover such applications as commercial,industrial, and automotives areas.

We are looking forward to setting up business relationship with you and hope to provide you with the best service and solution. Let us make a better world for our industry!



Contact us

Tel: +86-755-8981 8866 Fax: +86-755-8427 6832

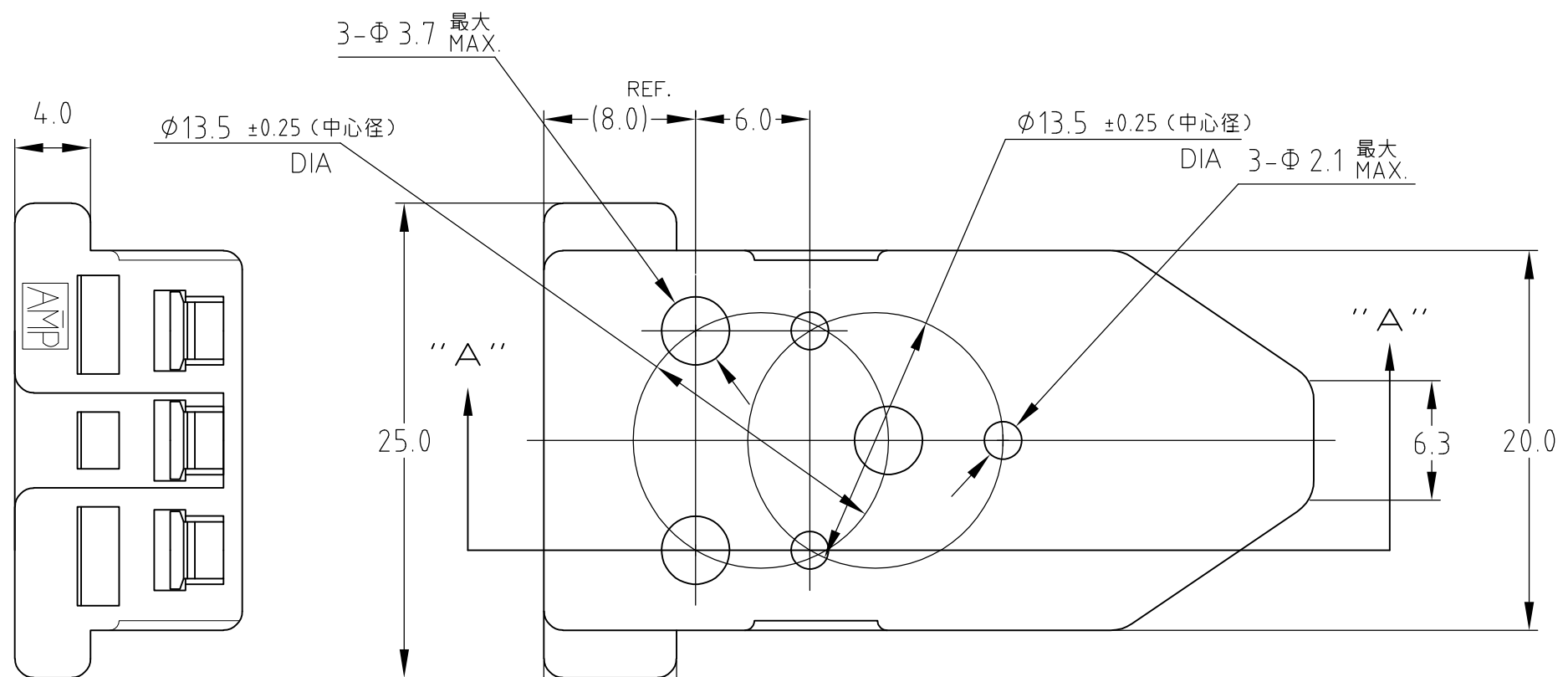
Email & Skype: info@chipsmall.com Web: www.chipsmall.com

Address: A1208, Overseas Decoration Building, #122 Zhenhua RD., Futian, Shenzhen, China



THIS DRAWING IS UNPUBLISHED. RELEASED FOR PUBLICATION OCT. 18 .
 © COPYRIGHT 2002 Tyco Electronics JAPAN G.K. ALL RIGHTS RESERVED.

| REVISIONS | | | | | |
|-----------|-----|---------------------------|-----------|-----|------|
| P | LTR | DESCRIPTION | DATE | DWN | APVD |
| | C1 | REVISED PER ECR-16-004471 | 30MAY2016 | K.S | PKS |
| | | | | | |
| | | | | | |



注記

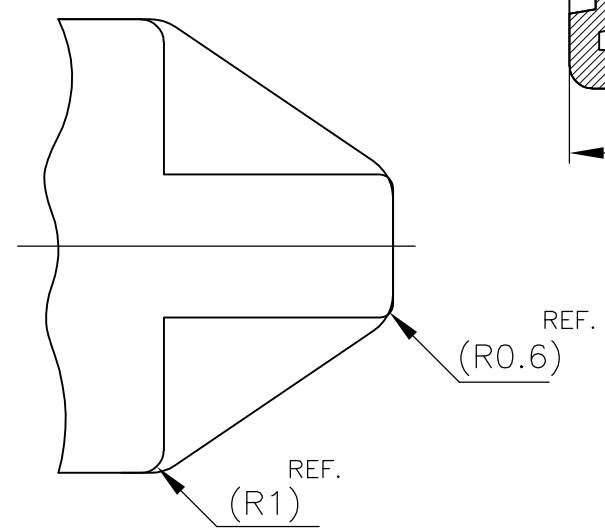
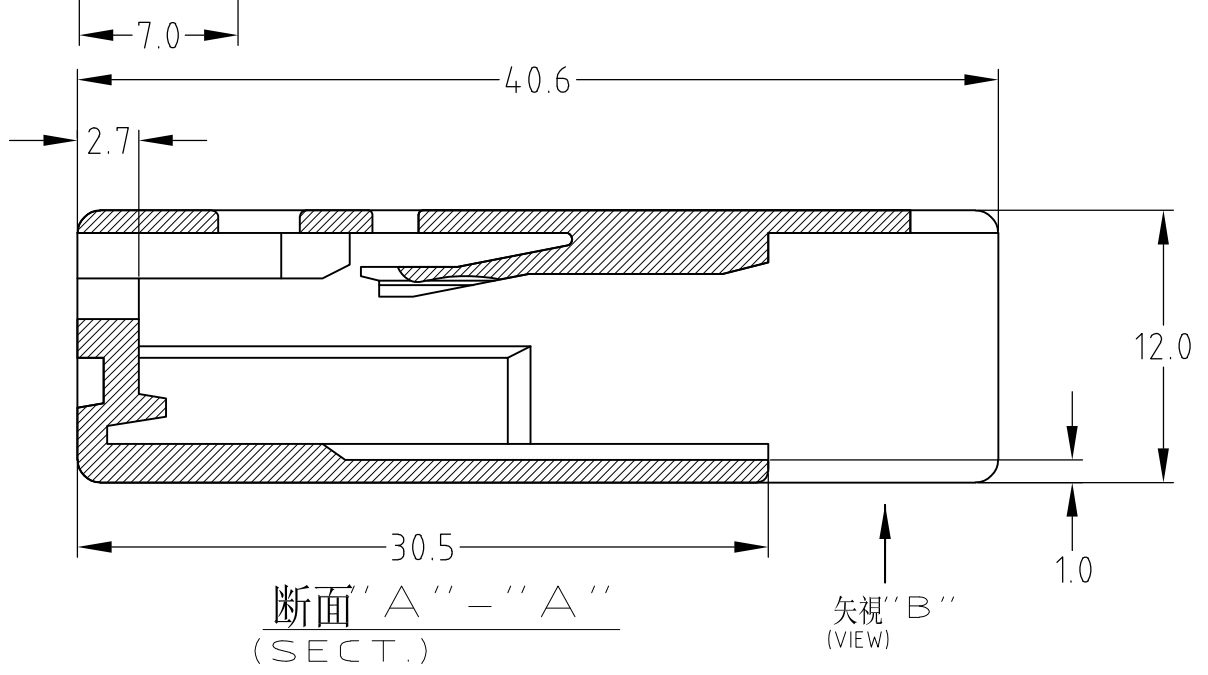
1. 適用コンタクト 316294, 316292

△耐加水分解PBT

NOTE;

1. APPLICABLE CONTACT : 316294, 316292

△ MATERIAL; HYDROLYTIC CLEAVAGE RESISTANCE PBT



| | | |
|---------------|---|----------|
| 自然色 (NATURAL) | LCP (UL94V-0) | 316293-3 |
| 黒 (BLACK) | △耐加水分解PBT(ガラス強化) GLASS FILLED (UL94HB) | 316293-2 |
| 自然色 (NATURAL) | PBT(ガラス強化)(UL94HB) GLASS FILLED | 316293-1 |
| 色調 (COLOR) | 材料 (MATERIAL) | 型番 (P/N) |

| DIMENSIONS: ??? ? mm | | TOLERANCES UNLESS OTHERWISE SPECIFIED: ???? | |
|----------------------|-----------|---|---------|
| 0 PLØ | ± 0.3 | 1 PLC | ± - |
| 2 PLC | ± - | 3 PLC | ± - |
| 4 PLØ | ± - | ANGLES | ± 3 deg |
| MATERIAL ?? | FINISH ?? | SEE TABLE | |

| | | | | |
|--|--|---------------------------|----------------------|-----------------|
| THIS DRAWING IS A CONTROLLED DOCUMENT. | | DWN M.SUZUKI 18OCT02 | TE Connectivity | |
| | | CHK M.SHINDO 18OCT02 | | |
| | | APVD M.SHINDO 18OCT02 | | |
| | | NAME ?? | | |
| | | PRODUCT SPEC 108-5494 | 3.2Φクラスター・ブロック | |
| | | APPLICATION SPEC 114-5215 | 3.2DIA CLUSTER BLOCK | |
| | | WEIGHT 0 | SIZE A3 | CAGE CODE 00779 |
| | | CUSTOMER DRAWING | DRAWING NO C-316293 | RESTRICTED TO - |
| | | SCALE 3:1 | SHEET 1 OF 1 | REV C1 |