



Chipsmall Limited consists of a professional team with an average of over 10 year of expertise in the distribution of electronic components. Based in Hongkong, we have already established firm and mutual-benefit business relationships with customers from,Europe,America and south Asia,supplying obsolete and hard-to-find components to meet their specific needs.

With the principle of “Quality Parts,Customers Priority,Honest Operation,and Considerate Service”,our business mainly focus on the distribution of electronic components. Line cards we deal with include Microchip,ALPS,ROHM,Xilinx,Pulse,ON,Everlight and Freescale. Main products comprise IC,Modules,Potentiometer,IC Socket,Relay,Connector.Our parts cover such applications as commercial,industrial, and automotives areas.

We are looking forward to setting up business relationship with you and hope to provide you with the best service and solution. Let us make a better world for our industry!



Contact us

Tel: +86-755-8981 8866 Fax: +86-755-8427 6832

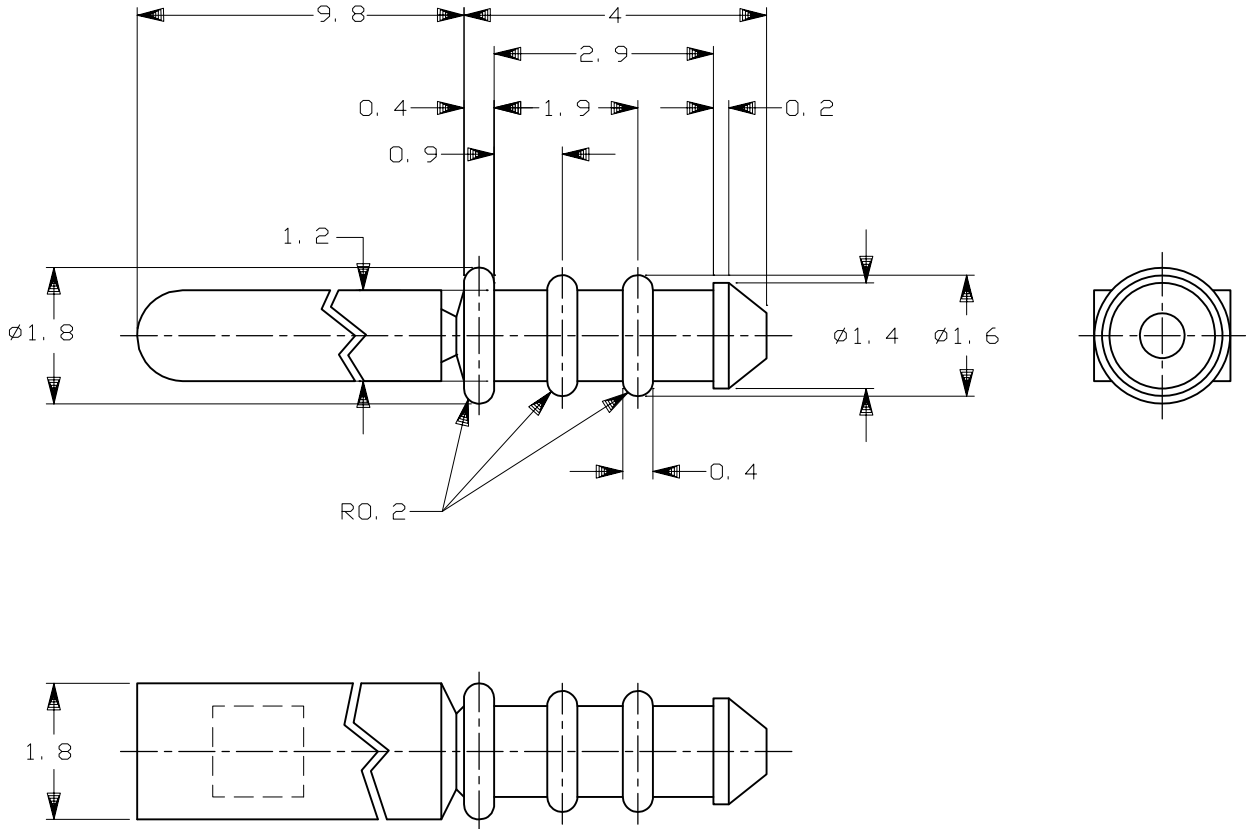
Email & Skype: info@chipsmall.com Web: www.chipsmall.com

Address: A1208, Overseas Decoration Building, #122 Zhenhua RD., Futian, Shenzhen, China



LOC J	DIST —	REVISIONS 変更			DATE	DWN	APVD
		P	LTR	DESCRIPTION			
			B2	REVISED PER ECO-11-005140	29MAR11	RK	HMR

-7: AS SHOWN
-7: 本図



RELEASED FOR PUBLICATION

ALL RIGHTS RESERVED.

THIS DRAWING IS UNPUBLISHED.

By -
COPYRIGHT

TOLERANCES UNLESS OTHERWISE SPECIFIED:

一般公差

10 ≥	: ±0.2
30 ≥ > 10	: ±0.25
100 ≥ > 30	: ±0.3
ANGLE	: ±0.3°

DIMENSIONS:
単位: 耗
mm

DWN T.SHINOHARA 27OCT06

MATERIAL PBT, COLOR: YELLOW
材料 仕上

FINISH —

CHK K.BETSUI 27OCT06

APVD K.BETSUI 27OCT06

PRODUCT SPEC
製品規格
108-5426

APPLICATION SPEC
取付適用規格
114-5193

WEIGHT 0.01 g

NAME
名称
CAVITY PLUG FOR
MINI MULTI-LOCK CONNECTOR

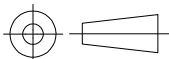
SIZE	CAGE CODE	DRAWING NO 番号	RESTRICTED TO
A4	00779	C-316390	—



TE Connectivity

TOLERANCES UNLESS OTHERWISE SPECIFIED:
一般公差

0 PLC	± -
1 PLC	± -
2 PLC	± -
3 PLC	± -
4 PLC	± -
ANGLES	± -



CUSTOMER DRAWING

SCALE 10:1 SHEET 1 OF 1

REV B2