



Chipsmall Limited consists of a professional team with an average of over 10 year of expertise in the distribution of electronic components. Based in Hongkong, we have already established firm and mutual-benefit business relationships with customers from,Europe,America and south Asia,supplying obsolete and hard-to-find components to meet their specific needs.

With the principle of “Quality Parts,Customers Priority,Honest Operation,and Considerate Service”,our business mainly focus on the distribution of electronic components. Line cards we deal with include Microchip,ALPS,ROHM,Xilinx,Pulse,ON,Everlight and Freescale. Main products comprise IC,Modules,Potentiometer,IC Socket,Relay,Connector.Our parts cover such applications as commercial,industrial, and automotives areas.

We are looking forward to setting up business relationship with you and hope to provide you with the best service and solution. Let us make a better world for our industry!



Contact us

Tel: +86-755-8981 8866 Fax: +86-755-8427 6832

Email & Skype: info@chipsmall.com Web: www.chipsmall.com

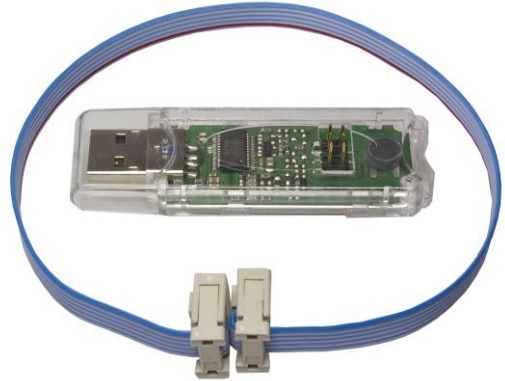
Address: A1208, Overseas Decoration Building, #122 Zhenhua RD., Futian, Shenzhen, China



USB Level Shifter Stick Basic

Datasheet

- The USB Level Shifter converts an existing USB interface to a TTL-UART interface with variable operating voltage, as it is often used for trace and debug functions.
- The UART interface level automatically adapts to the operating voltage of the target.
- Level conversion takes place for the UART signals TxD and RxD.
- The RxD and TxD signal cross over takes place in the USB Level Shifter.
- A 6-pin 1:1 connection cable for the target connection is included.



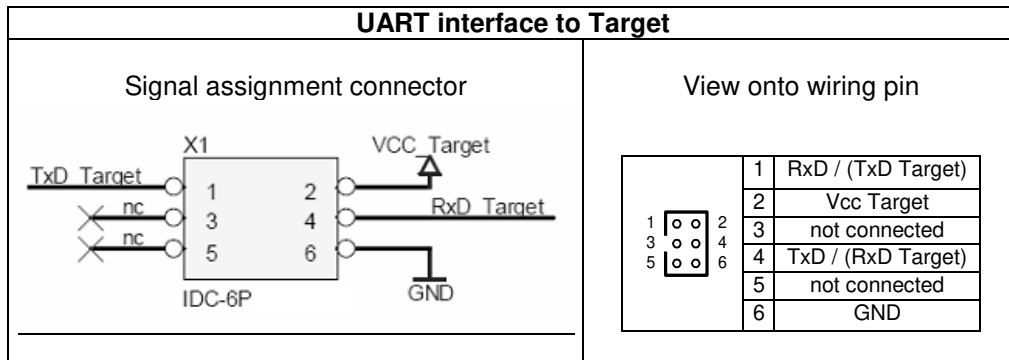
General technical data

Power supply	from USB
Target operating voltage	1.8V to 5.0V
Power consumption	USB typ 20mA ; max. 100mA; Target 5.0V – max. 3.5mA 3.3V – max. 2.0mA 1.8V – max. 0.5mA
Connection to Target	6 pin male header
Target cable	Flat ribbon cable 280mm 2 x 6 pin female connector on both ends Pin1 is marked*
Connection to PC	USB 2.0 Type A
Housing	ABS, transparent
Dimensions	L x W x H = 71 x 23 x 9 mm (71 x 23 x 22 mm**)
Control and display elements	3 x LED: red, yellow, green
Interfaces	<u>to Target:</u> UART, TTL level 1.8V to 5.0V 300 baud to 1 mega-baud 7 or 8 data bit; 1 or 2 stop bit parity odd / even / mark / space / no <u>to PC:</u> USB 2.0 Full Speed compatible
Operating temperature	+5 to +40°C
Storage temperature	-25 to +70°C
Type of protection	IP20

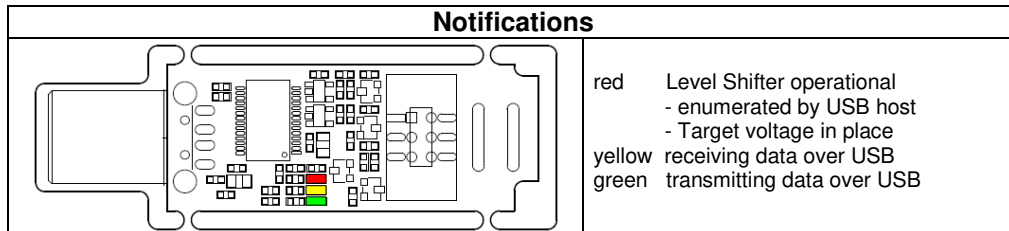
* cable – colored edge marking; jack – marked with arrow
** including connected target cable

Technical Data

Pin configuration



Pin configuration



Scope of delivery

USB Level Shifter Stick Basic with Target Cable

Order No.

BN-031648

Accessories / Spare parts

USB Level Shifter Target Cable

BN-031644

USB Cable Type A / A-socket; length 1.8m

BN-018198

Versions

USB Level Shifter Stick Low Power

BN-031645

Suitable for

deRFtoRCB Adapter

BN-028216

Sensor Terminal Board

BN-026533

SAM-ICE Adapter

BN-028337

deRFnode family

see homepage

deRFgateway family

see homepage

deRFdevelopment Kits

see homepage

Order online: <http://www.dresden-elektronik.de>

Scope of Delivery / Accessories

Contact