



Chipsmall Limited consists of a professional team with an average of over 10 year of expertise in the distribution of electronic components. Based in Hongkong, we have already established firm and mutual-benefit business relationships with customers from,Europe,America and south Asia,supplying obsolete and hard-to-find components to meet their specific needs.

With the principle of “Quality Parts,Customers Priority,Honest Operation,and Considerate Service”,our business mainly focus on the distribution of electronic components. Line cards we deal with include Microchip,ALPS,ROHM,Xilinx,Pulse,ON,Everlight and Freescale. Main products comprise IC,Modules,Potentiometer,IC Socket,Relay,Connector.Our parts cover such applications as commercial,industrial, and automotives areas.

We are looking forward to setting up business relationship with you and hope to provide you with the best service and solution. Let us make a better world for our industry!



Contact us

Tel: +86-755-8981 8866 Fax: +86-755-8427 6832

Email & Skype: info@chipsmall.com Web: www.chipsmall.com

Address: A1208, Overseas Decoration Building, #122 Zhenhua RD., Futian, Shenzhen, China



NUMBER C-316768

三角錐 30° 角 PROJECTION

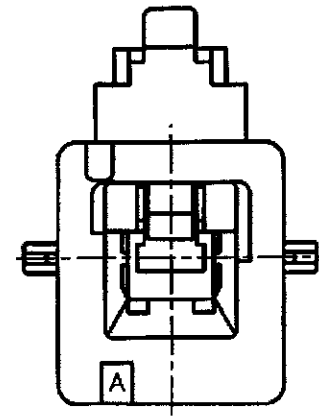
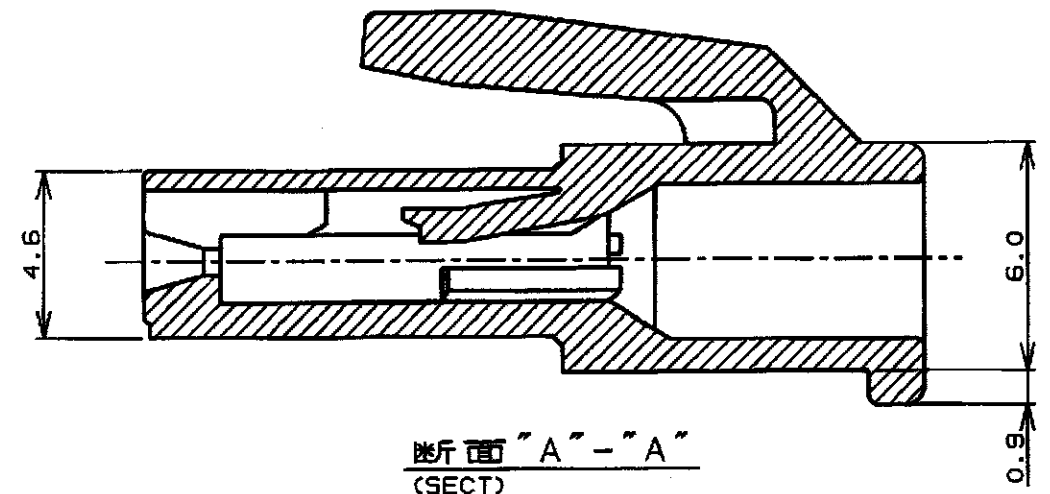
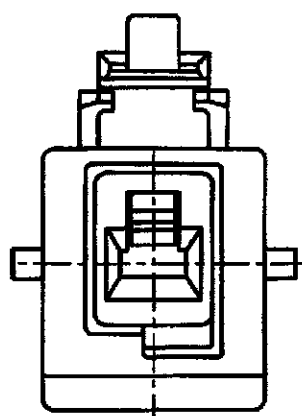
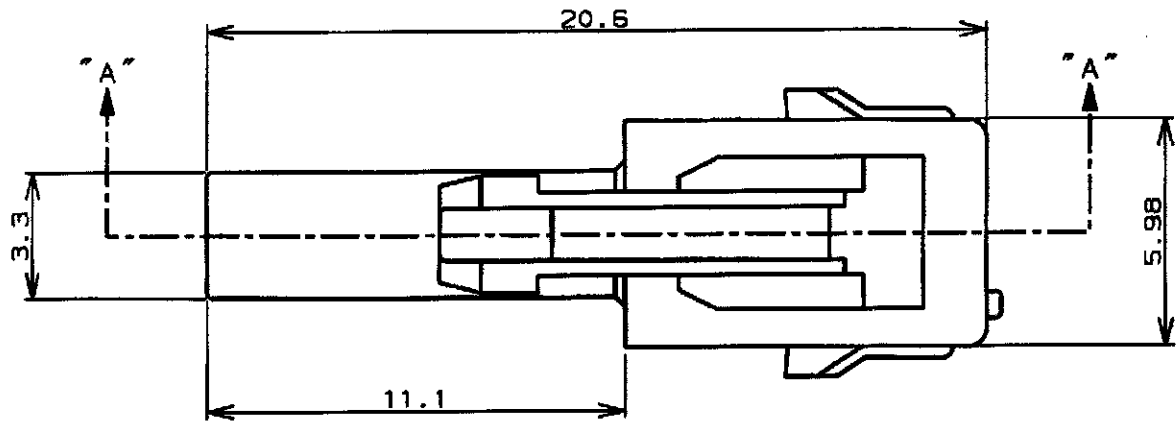
METRIC

単位: mm DIMENSIONS IN MM. DO NOT SCALE PRINT

PRINT DIST

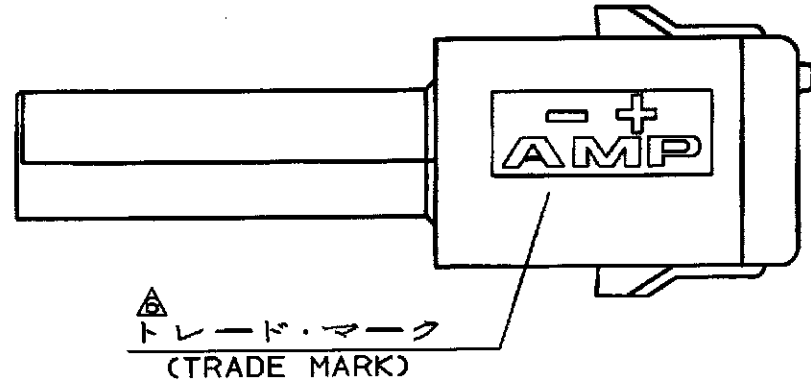
NOTES:

- PRODUCT SPEC.: 108-5410
 - APPLICABLE CONTACT P/N
REC CONTACT: 177915-[X](*20-*16AWG)
; 177914-[X](*26-*22AWG)
 - MATING CONN, P/N
CAP HSG: 316769-[X]
TAB CONTACT: 177917-[X](*20-*16AWG)
177916-[X](*26-*22AWG)
 - APPLICABLE PLATE P/N: 316770-1
 - INSTRUCTION SHEET: 411-5638
- △ SEE TABLE 1



注:

- 適用製品規格: 108-5410
 - 適用コンタクト型番
リセ・コンタクト: 177915-[X](*20-*16AWG)
177914-[X](*26-*22AWG)
 - 嵌合相手側製品型番
キャップ・ハウジング: 316769-[X]
タブ・コンタクト: 177917-[X](*20-*16AWG)
177916-[X](*26-*22AWG)
 - 適用プレート型番: 316770-1
 - 取扱説明書: 411-5638
- △ 表1参照



黒 (BLACK)	↑	↑	-9
青 (BLUE)	↑		-6
黄 (YELLOW)			-4
赤 (RED)	↓	↓	-2
自然色 (NATURAL)	1		316768-1
ハウジング色調 (HOUSING COLOR)	複数 (Pos.)		型番 (P/N)

△ 表1 (TABLE 1)

トレードマーク (TRADE MARK)	生産場所 (MANUFACTURING PLACE)
-AMP OR AMP	日本 (JAPAN)
-+AMP OR AMP	中国 (CHINA(PRC))
*AMP OR AMP	韓国 (KOREA)

				AMP Tyco Electronics AMP K.K., Kawasaki, Japan	
適合電線範囲 (WIRE RANGE)		絶縁外径 (INSULATION DIA.)		名称 (NAME)	
--- mm ² (AWG -)		--- mmφ		AMP POWER DOUBLE LOCK CONN. 3.96mmピッチ プラグハウジング 1極	
材料 (MATERIAL)		仕上 (FINISH)		一般公差	
6/6 ナイロン (UL94V-0) 6/6 NYLON (UL94V-0)		---		SIZE LOC 番号 (No.)	
B 変更 FJ00-1369-01	rw/ Mb 11 Jul 98	DR. 22 MAR '98	DE. 22 MAR '98	A3 J	C-316768
A 変更 FJ00-0953-98	T.Y. MS 21 MAR '98	DR. N. YAMASAKI	DE. N. YAMASAKI	尺度 (SCALE)	REV. B
O 作成 FJ00-3888-95	N.Y. M.S. 22 MAR '98	DR. N. YAMASAKI	DE. N. YAMASAKI	10以下: ±0.2 10以上 30以下: ±0.25 30以上 100以下: ±0.3 角 度: ±3°	SHEET 1 OF 1
LTR 変更 (REVISION RECORD)	DR CHK DATE	CHK. 22 MAR '98	APP. 22 MAR '98		
		M. SHINDO	Y. KASHIWA		

CUSTOMER DRAWING