



Chipsmall Limited consists of a professional team with an average of over 10 year of expertise in the distribution of electronic components. Based in Hongkong, we have already established firm and mutual-benefit business relationships with customers from,Europe,America and south Asia,supplying obsolete and hard-to-find components to meet their specific needs.

With the principle of "Quality Parts,Customers Priority,Honest Operation,and Considerate Service",our business mainly focus on the distribution of electronic components. Line cards we deal with include Microchip,ALPS,ROHM,Xilinx,Pulse,ON,Everlight and Freescale. Main products comprise IC,Modules,Potentiometer,IC Socket,Relay,Connector.Our parts cover such applications as commercial,industrial, and automotives areas.

We are looking forward to setting up business relationship with you and hope to provide you with the best service and solution. Let us make a better world for our industry!



## Contact us

Tel: +86-755-8981 8866 Fax: +86-755-8427 6832

Email & Skype: info@chipsmall.com Web: www.chipsmall.com

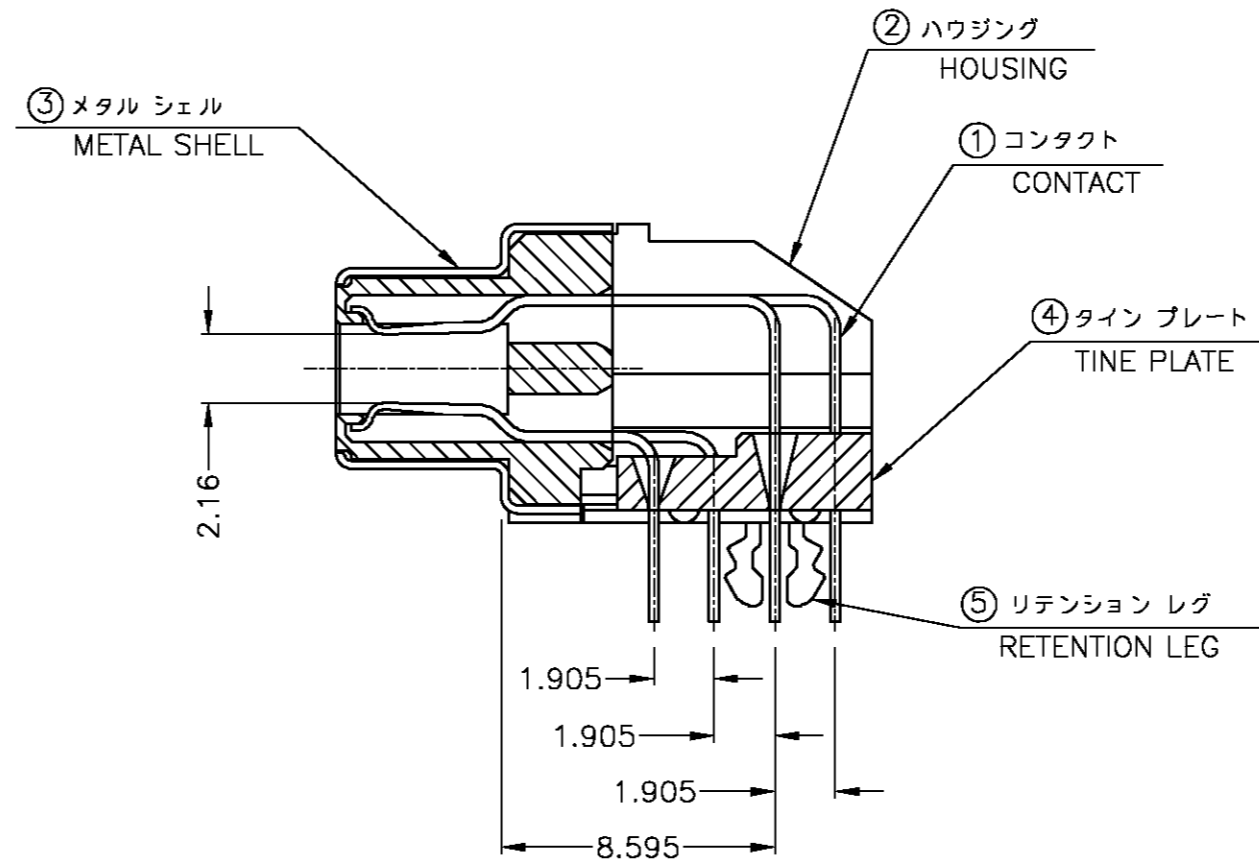
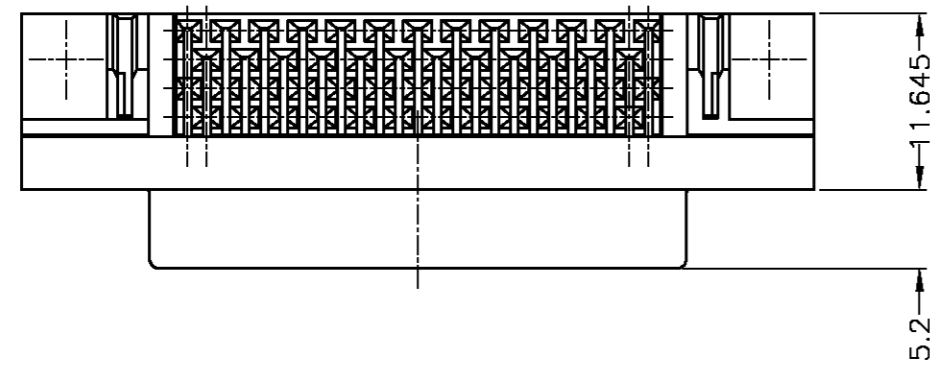
Address: A1208, Overseas Decoration Building, #122 Zhenhua RD., Futian, Shenzhen, China



THIS DRAWING IS UNPUBLISHED. RELEASED FOR PUBLICATION 2000.  
 © COPYRIGHT 2003 BY TYCO ELECTRONICS CORPORATION. ALL RIGHTS RESERVED.

LOC		DIST		REVISIONS				
J				REV	DESCRIPTION	DATE	DWN	APVD
				B	REVISED (FJB0-0054-04)	20JUN04	T.K	Y.Y

-7 ; AS SHOWN



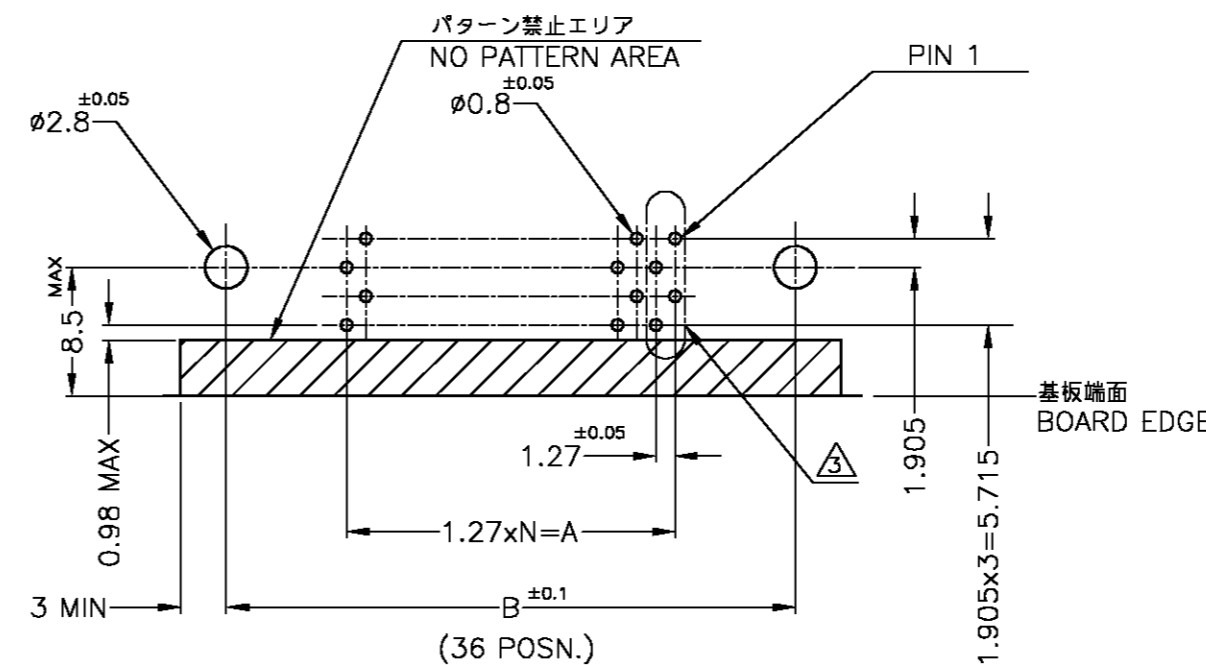
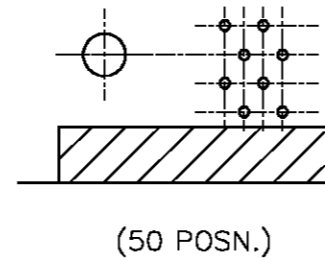
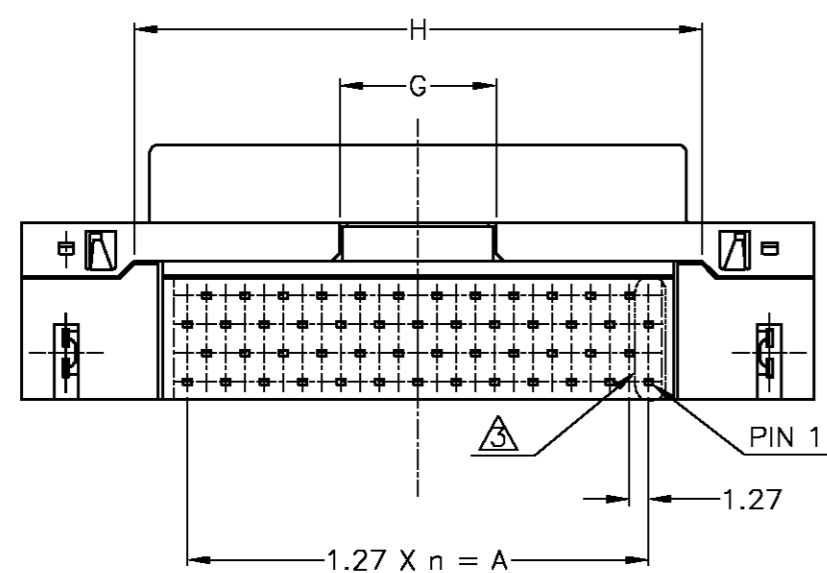
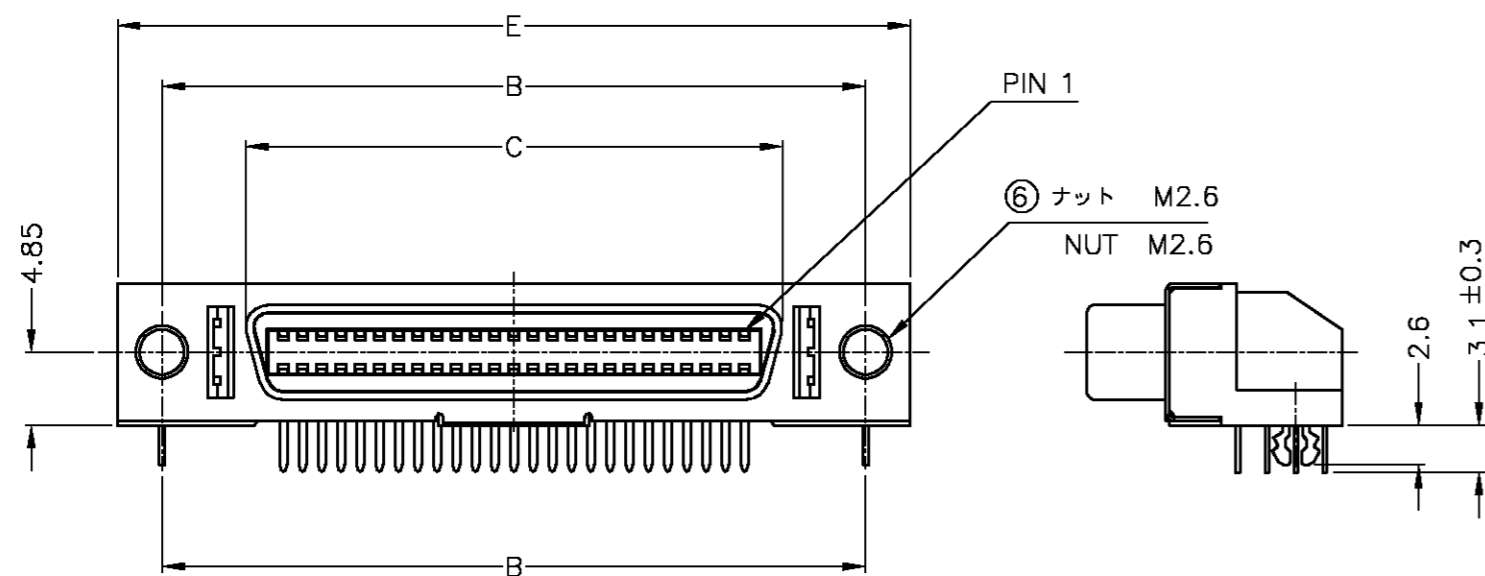
ITEM	材料 (MATERIAL)	仕上 (FINISH)
①	銅合金 COPPER ALLOY	全面ニッケル下地めっき 接触部: 金めっき (0.1μm以上) タイン部: すずめっき NICKEL UNDER PLATE ALL OVER CONTACT AREA ; Au(0.1μm) SOLDER TINE AREA ; TIN PLATE
② ④	PBT	色: 黒 COLOR : BLACK
③	鋼 t=0.25 STEEL t=0.25	鋼下地めっき上にニッケルめっき NICKEL PLATE OVER COPPER UNDERPLATE
⑤	銅合金 COPPER ALLOY	全面ニッケル下地上に全面すずめっき NICKEL UNDER PLATE ALL OVER, TIN PLATING ALL OVER.
⑥	鋼 STEEL	全面銅下地全面ニッケルめっき Cu UNDER PLATE ALL OVER, NICKEL PLATING ALL OVER

注記

- 1 適用ねじ : M2.6なべ小ねじ
- 2 推奨基板厚 : 1.6mm (参考)
- 3 ポストは本配列より始まる。

NOTE

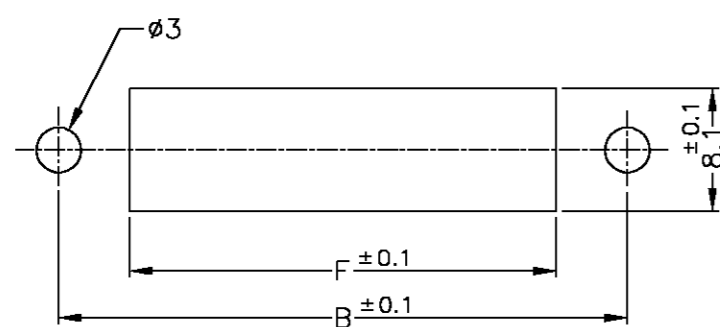
- 1 RECOMMENDED SCREW SIZE ; M2.6 PANHEAD SCREW
- 2 RECOMMENDED P.C BOARD THICKNESS ; 1.6mm (REF)
- 3 POST PATTERN AS SHOWN ON THIS END FOR ALL POSITION.



推奨基板穴あけ寸法  
RECOMMENDED PC BOARD  
MOUNTING DIMENSION

コネクタ取付面  
COMPONENT SIDE

鉛フリー  
LEAD FREE



パネルカット寸法  
REFERENCE PANEL CUTOUT  
(厚さ2mm最大)  
THK,2mm MAX

7.6	37.5	10.3	37.11	52.40	35.48	46.50	30.48	24	50	316998-7
6.8	28.61	8.3	28.21	43.51	26.59	37.61	21.59	17	36	316998-5
Weight(g)	H	G	F	E	C	B	A	N	POSITION	PART NO.

THIS DRAWING IS A CONTROLLED DOCUMENT.

DWN	T.KAWAMAE	20JUN03	Tyco Electronics AMP K.K. Kawasaki, Japan
CHK	H.SHIRAI	20JUN03	
APVD	Y.YAMAMOTO	20JUN03	
DIMENSIONS: MM TOLERANCES UNLESS OTHERWISE SPECIFIED: 1 PLC ± 0.2 2 PLC ± 0.25 3 PLC ± 0.3 ANGLES ± 3°			NAME RECEPTACLE HDR ASS'Y(3.1mm) CHAMP.050 SERIES(II) FMS-TYPE
MATERIAL: SEE TABLE FINISH: SEE TABLE			PRODUCT SPEC 108-5288 APPLICATION SPEC
WEIGHT: SEE TABLE CUSTOMER DRAWING			SIZE: A2 CAGE CODE: 00779 DRAWING NO: C=316998 RESTRICTED TO:
SCALE: 2:1 SHEET: 1 OF 1 REV: B			

316998