



Chipsmall Limited consists of a professional team with an average of over 10 year of expertise in the distribution of electronic components. Based in Hongkong, we have already established firm and mutual-benefit business relationships with customers from,Europe,America and south Asia,supplying obsolete and hard-to-find components to meet their specific needs.

With the principle of “Quality Parts,Customers Priority,Honest Operation,and Considerate Service”,our business mainly focus on the distribution of electronic components. Line cards we deal with include Microchip,ALPS,ROHM,Xilinx,Pulse,ON,Everlight and Freescale. Main products comprise IC,Modules,Potentiometer,IC Socket,Relay,Connector.Our parts cover such applications as commercial,industrial, and automotives areas.

We are looking forward to setting up business relationship with you and hope to provide you with the best service and solution. Let us make a better world for our industry!



Contact us

Tel: +86-755-8981 8866 Fax: +86-755-8427 6832

Email & Skype: info@chipsmall.com Web: www.chipsmall.com

Address: A1208, Overseas Decoration Building, #122 Zhenhua RD., Futian, Shenzhen, China



Blueduino Rev2--Arduino compatible plus BLE CC2540

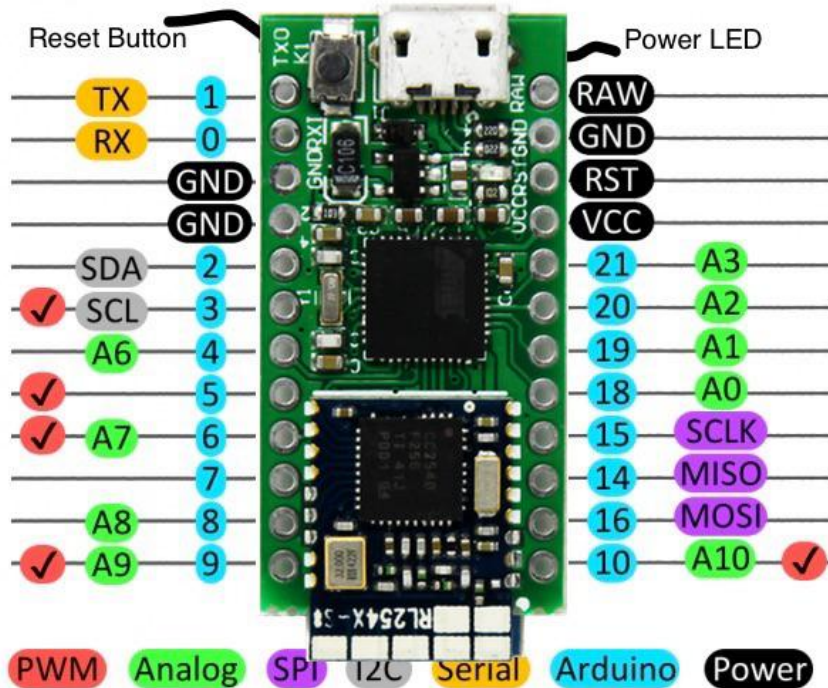
SKU: 317030031



(images/product/317030031_1_02.jpg)

Description

The BlueDuino Rev2 is an Arduino compatible microcontroller development board based on the ATmega32U4 IC with Bluetooth 4.0. a.k.a. Bluetooth Low Energy (BLE), built in. Just plug in the board and your ready to start programming! It's the easiest way to get Bluetooth 4.0 in your project!



The BlueDuino Rev2 is tiny size Arduino compatible dev board. It's built-in a cc2540 BLE module. The BLE module can work as master or slave mode.

Features:

- Built-in CC2540 BLE module
- ATmega32U4 running at 3.3V/8MHz

- Supported under Arduino IDE 1.0.6
- On-Board micro-USB connector for programming
- 4 x 10-bit ADC pins
- 12 x Digital I/Os (5 are PWM capable)
- Rx and Tx Hardware Serial Connections

Firmware For CC2540

- The firmware for CC254x BLE module named ZeroBeacon.
- Application iBeacon simulation / iBeacon sniffer / BLE Sensor
- Support UART transparent transfer.
- Support AT commands
- Support upgrade the firmware by serial port.

Getting Started

Open Arduino IDE and choose board "LilyPad USB" to start playing with your BlueDuino Rev2 in just a few easy steps.

How it works

The CC254x module communicates with ATmega32U4 through the HardwareSerial Serial1 (RX1, TX0).

Part List:

- 1 x BlueDuino Rev2
- 1x Male headers (Not soldering)
(LiPo battery charger add-on now available.)

Overview

Designer: Others

Other Products From This Designer (<http://www.seeedstudio.com/depot/Others-m-24.html?ref=pinfo>)

Weight: 7 g

