



Chipsmall Limited consists of a professional team with an average of over 10 year of expertise in the distribution of electronic components. Based in Hongkong, we have already established firm and mutual-benefit business relationships with customers from,Europe,America and south Asia,supplying obsolete and hard-to-find components to meet their specific needs.

With the principle of “Quality Parts,Customers Priority,Honest Operation,and Considerate Service”,our business mainly focus on the distribution of electronic components. Line cards we deal with include Microchip,ALPS,ROHM,Xilinx,Pulse,ON,Everlight and Freescale. Main products comprise IC,Modules,Potentiometer,IC Socket,Relay,Connector.Our parts cover such applications as commercial,industrial, and automotives areas.

We are looking forward to setting up business relationship with you and hope to provide you with the best service and solution. Let us make a better world for our industry!



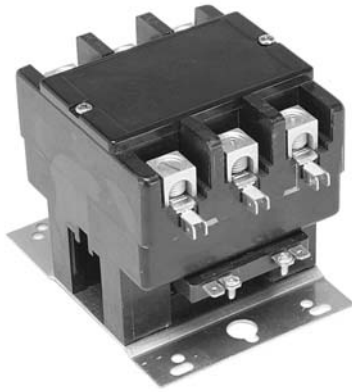
Contact us

Tel: +86-755-8981 8866 Fax: +86-755-8427 6832

Email & Skype: info@chipsmall.com Web: www.chipsmall.com

Address: A1208, Overseas Decoration Building, #122 Zhenhua RD., Futian, Shenzhen, China





Model 96 - 3186 series

Definite Purpose Contactor 3-pole, 75-90 FLA AC Coil

UL File E75492
CE File EN60947-4-1:1991
IEC 947-4-1

Users should thoroughly review the technical data before selecting a product part number. It is recommended that users also seek out the pertinent approvals files of the agencies/laboratories and review them to ensure the product meets the requirements for a given application.

Features

- 3-pole contactors.
- Convenient "universal" mounting plate.
- Optional interlock/auxiliary switches available.

Contact Data @ 25°C

Arrangements: 3 Form X (3PST-NO-DM).
Maximum Ratings: See Contact Ratings Table.
Material: Silver Cadmium Oxide.

Coil Data @ 25°C

Voltage: 24 - 480 VAC, 50/60 Hz. See Coil Data Table below.
Insulation Class: UL Class B (130°C).
Duty Cycle: Continuous.

Environmental Data

Temperature Range: Storage and Operating: -40°C – +65°C.
Flammability: UL 94-HB housing.

Mechanical Data

Contact Termination:

Type: Box Lug with dual 0.250" (6.35 mm) quick connects.

Wire Size: 14-1/0 Cu/Al AWG

Tightening Torque: 50 in.-lbs.

Coil Termination: 0.250" quick connect and a #6-32 screw.

Arc Cover: Standard.

Weight: 64 oz. (1820 g) approximately

Contact Ratings

| Full Load Amps | Number of Poles | Line Voltage | Locked Rotor Amps | Resistive Amps | Tungsten/ Ballast Amps | Maximum Horsepower | | |
|----------------|-----------------|--------------|-------------------|----------------|------------------------|--------------------|--------------|-------------|
| | | | | | | Voltage | Single Phase | Three Phase |
| 75 | 3 | 240 | 450 | 93 | - | 110/120 | 5 | - |
| | | 480 | 375 | 93 | 63 | 200/208 | 10 | 20 |
| | | 600 | 300 | 93 | - | 240/277 | 15 | 25 |
| | | | | | | 480 | - | 40 |
| | | | | | | 600 | - | 25 |
| 90 | 3 | 240 | 540 | 120 | - | 110/120 | 7.5 | - |
| | | 480 | 450 | 120 | 63 | 200/208 | 15 | 25 |
| | | 600 | 360 | 120 | - | 240/277 | 20 | 30 |
| | | | | | | 480 | - | 50 |
| | | | | | | 600 | - | 50 |

Coil Data

| | 24 | 120 | 208/240 | 277 | 480 |
|------------------------------|-------|---------|----------|--------|-----------|
| Nominal Coil Voltage | 24 | 120 | 208/240 | 277 | 480 |
| Maximum Pickup Volts | 18 | 88 | 177 | 220 | 384 |
| Drop-Out Volts Range | 6 -15 | 20 - 70 | 40 - 110 | 65-185 | 150 - 270 |
| Nominal Inrush VA @ 50 Hz | 285 | 285 | 285 | 285 | 285 |
| Nominal Inrush VA @ 60 Hz | 240 | 240 | 240 | 240 | 240 |
| Nominal Sealed VA @ 50 Hz | 42 | 42 | 42 | 42 | 42 |
| Nominal Sealed VA @ 60 Hz | 27 | 27 | 27 | 27 | 27 |
| Nominal DC Resistance - Ohms | .63 | 15.6 | 63.5 | 84 | 255 |

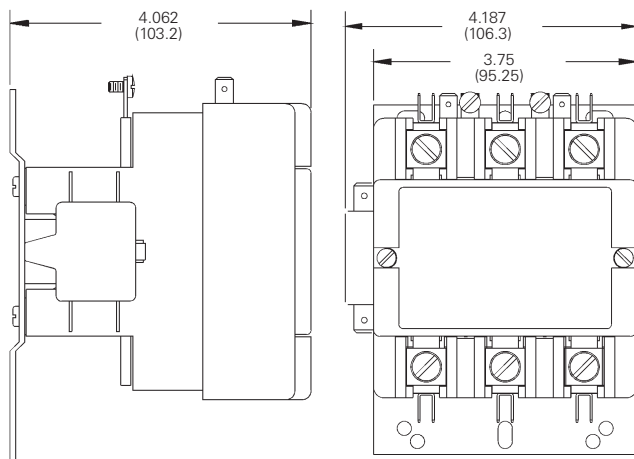
Ordering Information

| | | | | | | | |
|--|-------------|---|-----------|----------|-----------|------------|--|
| Typical Part No. ▶ | 3186 | - | 30 | I | 90 | 999 | |
| 1. Series: 3186 = 3-pole, 75-90 FLA contactor | | | | | | | |
| 2. Packaging: Y = Individual Pack - = Bulk Pack A-ZZZ = Customer specific information (assigned by factory) | | | | | | | |
| 3. Pole Configuration: 30 = 3 Form X (3PST-NO-DM) | | | | | | | |
| 4. Coil Voltage (50/60 Hz.): I = 24VAC, molded K = 208/240VAC, molded W = 480VAC, molded J = 120VAC, molded M = 277VAC, molded | | | | | | | |
| 5. Contact Ratings (Inductive): 75 = 75 FLA 90 = 90 FLA | | | | | | | |
| 6. Customer ID Suffix: 999 = Standard Model 000-998 = Factory assigned customer ID | | | | | | | |
| 7. Option Code: Leave Blank = No customer-specific options A - ZZ = Factory assigned customer-specific options. | | | | | | | |

Standard part numbers listed below are more likely to be available from stock.

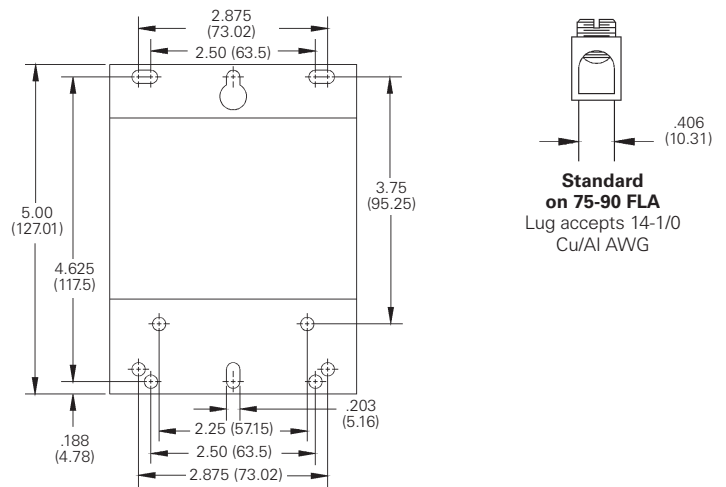
None at present.

Outline Dimensions



Shown with Optional Auxiliary Switch

Termination

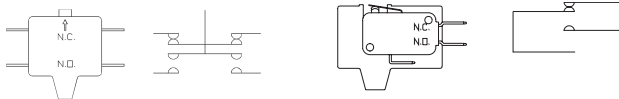


Various interlock / auxiliary switches are available for the Model 96 contactor.



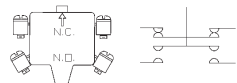
NORMALLY OPEN
-303 STYLE

NORMALLY CLOSED
-331 STYLE



NORMALLY OPEN & CLOSED
-332 STYLE

SPDT
-337 & -341 STYLE



W/ #6-32 SCREW & SADDLE CLAMP
-344 STYLE

Equipped with 0.250" (6.35) Quick Connect Terminals

| Description | Factory Modifications | | Field Added Kits | |
|---|-----------------------|--------------------|--------------------|-------------------------|
| | Contact Config. NO | Contact Config. NC | Kit Catalog Number | Number of Kits Required |
| Single unit interlock configurations listed. Maximum of two. Must be same polarity. See footnote (1) for ratings. | 1 | 0 | 34300-303 | 1 |
| | 0 | 1 | 34300-331 | 1 |
| | 1 | 1 | 34300-332 | 1 |
| | 2 | 0 | 34300-303 | 2 |
| | 0 | 2 | 34300-331 | 2 |
| SPDT Circuit See footnote (2) for ratings. | 1 | 1 | 34300-337 | 1 |
| | 2 | 2 | 34300-337 | 2 |
| SPDT Dry Circuit, 0.1 amp max. | 1 | 1 | 34300-341 | 1 |
| Gold Flashed Contacts | 2 | 2 | 34300-340 | 1 |

Equipped with #6-32 Screw Terminals & Saddle Clamps

| Description | Factory Modifications | | Field Added Kits | |
|--|-----------------------|--------------------|--------------------|-------------------------|
| | Contact Config. NO | Contact Config. NC | Kit Catalog Number | Number of Kits Required |
| Single unit interlock configurations listed. Maximum of two. Must be same polarity. (note 1) | 1 | 0 | 34300-342 | 1 |
| | 0 | 1 | 34300-343 | 1 |
| | 1 | 1 | 34300-344 | 1 |

Footnotes: Ratings of Auxiliary Interlocks / Switches

| | |
|---|--------------------------------|
| (1) Contact Rating Single Circuit NO or NC and two circuit NO/NC: | (2) Contact Rating SPDT (337): |
| | 10A, 1/3 HP, 125 or 250 VAC |
| | 1/2A, 125 VDC; 1/4A, 250 VDC: |
| | 4A 120 VAC on Lamp Load |
| Break | 120V 240V 480V 600V |
| Make | 3.0A 1.5A 0.75A 0.6A |
| Continuous | 30A 15A 7.5A 6A |
| | 10A 10A 10A 10A |