



Chipsmall Limited consists of a professional team with an average of over 10 year of expertise in the distribution of electronic components. Based in Hongkong, we have already established firm and mutual-benefit business relationships with customers from,Europe,America and south Asia,supplying obsolete and hard-to-find components to meet their specific needs.

With the principle of "Quality Parts,Customers Priority,Honest Operation,and Considerate Service",our business mainly focus on the distribution of electronic components. Line cards we deal with include Microchip,ALPS,ROHM,Xilinx,Pulse,ON,Everlight and Freescale. Main products comprise IC,Modules,Potentiometer,IC Socket,Relay,Connector.Our parts cover such applications as commercial,industrial, and automotives areas.

We are looking forward to setting up business relationship with you and hope to provide you with the best service and solution. Let us make a better world for our industry!



Contact us

Tel: +86-755-8981 8866 Fax: +86-755-8427 6832

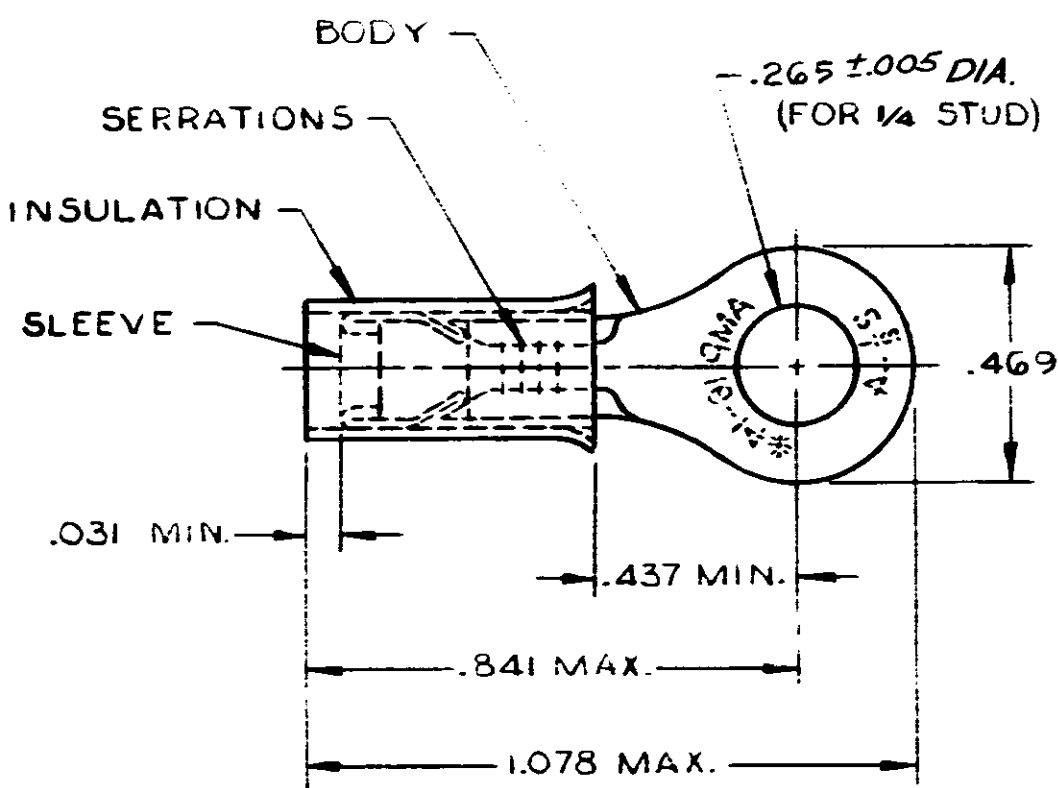
Email & Skype: info@chipsmall.com Web: www.chipsmall.com

Address: A1208, Overseas Decoration Building, #122 Zhenhua RD., Futian, Shenzhen, China



THIS DRAWING IS UNPUBLISHED. RELEASED FOR PUBLICATION . 19 .
 © COPYRIGHT 19 BY AMP INCORPORATED, HARRISBURG, PA. ALL INTERNATIONAL RIGHTS RESERVED. AMP PRODUCTS MAY BE COVERED BY U.S. AND FOREIGN PATENTS AND/OR PATENTS PENDING.

REVISIONS						
P	F	ZONE	LTR	DESCRIPTION	DATE	APPROVED
✓	✓		J	REDRAWN-REV. PER G-1475, G-1175, PB5-0045 & PB5-0046	1/9/86	Bm
✓	✓		K	REV G-2348	DAP 4-87	Bm
✓	✓		L	OBS. 2--3 PER G-3358	4-25-88	28/47
✓	✓		M	OBSOLETE 2--2 PER G-4247	JT 10/14/88	AG
✓	✓		N	REV. PER G-3879	DKS 12-88	47
✓	✓		P	OBS. 1--1 G-3729	DKS 1-24-87	47



- 1 WIRE INSULATION DIA. = .115-.170
- 2 TONGUE MATERIAL THK. = .031 ± .002
- 3 TIN PL. (MIL-T-10727) .0001 MIN. EXT THK.
- 4 FOREIGN PRODUCTION ONLY

OBSOLETE	100	ON TAPE, SM. BOX	2-31906-3
OBSOLETE	1000	ON TAPE, LG. BOX	2-31906-2
OBSOLETE	4000	ON TAPE, REEL	1-31906-1
	—	LOOSE PIECE	31906

QUANTITY		DESCRIPTION	PART NO
UNLESS OTHERWISE SPECIFIED DIMENSIONS ARE IN INCHES. TOLERANCES ON: DECIMALS ±.002 ANGLES ±		AMP AMP INCORPORATED Harrisburg, Pa.	
CONTRACT NO DR UTA / RFB 9-18-85			
MATERIAL INSULATION: PVC - BLUE BODY & SLEEVE: COPPER (QG-C-576)		NAME TERMINAL P.I.D.G., RING TONGUE WIRE SIZE: 16-14	
FINISH BODY- 3		SIZE B	FSCM NO 00779
OTHER APPD		DRAWING NO 31906	
		SCALE NTS	SHEET 1 OF 1