



Chipsmall Limited consists of a professional team with an average of over 10 year of expertise in the distribution of electronic components. Based in Hongkong, we have already established firm and mutual-benefit business relationships with customers from,Europe,America and south Asia,supplying obsolete and hard-to-find components to meet their specific needs.

With the principle of “Quality Parts,Customers Priority,Honest Operation,and Considerate Service”,our business mainly focus on the distribution of electronic components. Line cards we deal with include Microchip,ALPS,ROHM,Xilinx,Pulse,ON,Everlight and Freescale. Main products comprise IC,Modules,Potentiometer,IC Socket,Relay,Connector.Our parts cover such applications as commercial,industrial, and automotives areas.

We are looking forward to setting up business relationship with you and hope to provide you with the best service and solution. Let us make a better world for our industry!



Contact us

Tel: +86-755-8981 8866 Fax: +86-755-8427 6832

Email & Skype: info@chipsmall.com Web: www.chipsmall.com

Address: A1208, Overseas Decoration Building, #122 Zhenhua RD., Futian, Shenzhen, China



NOTES: UNLESS OTHERWISE SPECIFIED

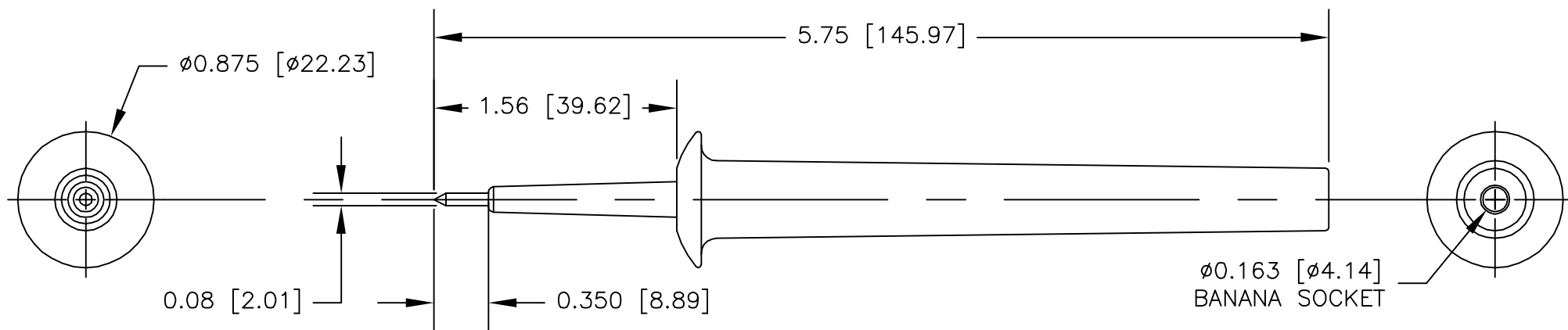
1. CONSTRUCTION:

HOUSING: MOLDED NYLON 6 OR 6,6. AVAILABLE
IN BLACK, RED, GREEN OR BLUE.
CONTACT TIP: STEEL. BRIGHT NICKEL FINISH.

2. PERFORMANCE:

MAXIMUM CURRENT: 10 AMPS
MAXIMUM VOLTAGE: 1000 V
MAXIMUM TEMPERATURE: 200°F (93°C)

REVISIONS			
LTR	DESCRIPTION	DATE	APPROVED



0.163 [4.14]
BANANA SOCKET

		UNLESS OTHERWISE SPECIFIED DIMENSIONS ARE IN INCHES TOLERANCES ARE: FRACTIONS DECIMALS ANGLES ± .XX ± ± .XXX ±	CONTRACT NO.		E-Z-HOOK DIVISION OF TEKTEST INC. ARCADIA, CA 91006 U.S.A.	
			APPROVALS	DATE		
		MATERIAL SEE NOTE.	DRAWN	R.L. 3/09	DESCRIPTION STD PIN TIP PROBE W/BANANA SOCKET	
			APPROVED BY			
		FINISH SEE NOTE.	SIZE	CODE IDENT NO.	DRAWING NO.	REV.
NEXT ASSY	USED ON			A 08505	31	
APPLICATION		DO NOT SCALE DRAWING	SCALE	1:1	SHEET 1 OF 1	

THE INFORMATION CONTAINED IN THIS DOCUMENT IS PROPRIETARY TO E-Z-HOOK. THE INFORMATION IS NOT TO BE REPRODUCED WITHOUT PRIOR WRITTEN PERMISSION OF E-Z-HOOK, DIV. OF TEKTEST INC. MAXIMUM TESTED RATINGS IN A HANDS-FREE CONTROLLED ENVIRONMENT. MAXIMUM RATINGS ARE NOT TO BE USED CONCURRENTLY.