



Chipsmall Limited consists of a professional team with an average of over 10 year of expertise in the distribution of electronic components. Based in Hongkong, we have already established firm and mutual-benefit business relationships with customers from,Europe,America and south Asia,supplying obsolete and hard-to-find components to meet their specific needs.

With the principle of "Quality Parts,Customers Priority,Honest Operation,and Considerate Service",our business mainly focus on the distribution of electronic components. Line cards we deal with include Microchip,ALPS,ROHM,Xilinx,Pulse,ON,Everlight and Freescale. Main products comprise IC,Modules,Potentiometer,IC Socket,Relay,Connector.Our parts cover such applications as commercial,industrial, and automotives areas.

We are looking forward to setting up business relationship with you and hope to provide you with the best service and solution. Let us make a better world for our industry!



Contact us

Tel: +86-755-8981 8866 Fax: +86-755-8427 6832

Email & Skype: info@chipsmall.com Web: www.chipsmall.com

Address: A1208, Overseas Decoration Building, #122 Zhenhua RD., Futian, Shenzhen, China



5

4

3

2

1

DRAWING NO. 32-2098UL -CUST				
REVISIONS				
01 OFFICIAL RELEASE				
03-20-09	T W	B Y	T	

D

D



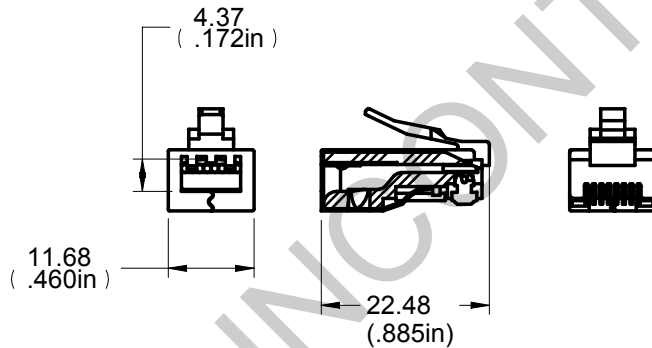
Description: RJ45 MOD PLUG SHIELDED,SOLID,U
 Part No: 32-2098UL
 Application: Modular Plug
 Crimp Tool: N/A
 Insulation Resistance: 1000 Ohms
 Frequency Range: N/A
 Material: Housing Polycarbonate
 Contact Phosphor bronze Gold plated
 Insert bar Polycarbonate
 RoHS Compliance: Yes
 Technical Detail: N/A

C

C

B

B



DIM OUTLINE

CUSTOMER COPY

A

A

TOLERANCE UNLESS OTHERWISE SPECIFIED		DRAWN BY TERRY.W	DATE 03-20-09
DECIMALS	mm	CHECKED BY BETTY.YU	DATE 03-20-09
X	± 0.5	APPROVED BY THOMAS	DATE 03-20-09
X.X	± 0.3	U/M	mm
X.XX	± 0.1		
ANGLES	± 0.5°		



TITLE
RJ45 MOD PLUG SHIELDED,SOLID,U

SHEET 1 OF 1	DRAWING NO. 32-2098UL-CUST	SIZE A
-----------------	-------------------------------	-----------

THIS DRAWING WAS PRODUCED BY COMPUTER,
 DO NOT SCALE DRAWING OR UPDATE MANUALLY.

5

4

3

2

1