



Chipsmall Limited consists of a professional team with an average of over 10 year of expertise in the distribution of electronic components. Based in Hongkong, we have already established firm and mutual-benefit business relationships with customers from,Europe,America and south Asia,supplying obsolete and hard-to-find components to meet their specific needs.

With the principle of “Quality Parts,Customers Priority,Honest Operation,and Considerate Service”,our business mainly focus on the distribution of electronic components. Line cards we deal with include Microchip,ALPS,ROHM,Xilinx,Pulse,ON,Everlight and Freescale. Main products comprise IC,Modules,Potentiometer,IC Socket,Relay,Connector.Our parts cover such applications as commercial,industrial, and automotives areas.

We are looking forward to setting up business relationship with you and hope to provide you with the best service and solution. Let us make a better world for our industry!



Contact us

Tel: +86-755-8981 8866 Fax: +86-755-8427 6832

Email & Skype: info@chipsmall.com Web: www.chipsmall.com

Address: A1208, Overseas Decoration Building, #122 Zhenhua RD., Futian, Shenzhen, China



5

4

3

2

1

D

C

B

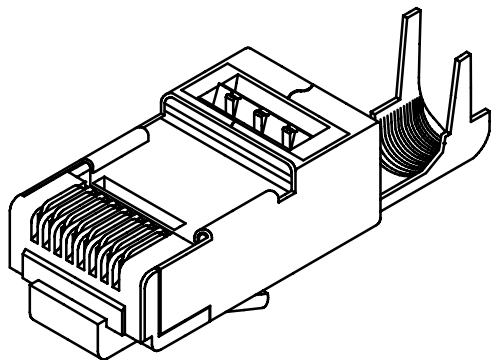
A

D

C

B

A



Description: Eight Conductor MOD Plug, Shield

Part No: 32-2298UL

Plug Tolerance and DIM: Complies with F.C.C requirements

Flame and Extinguish: 94-V0

Operation Temperature: -40°C to +85°C

Contact Resistance: 10 Milliohms Max.

Current/Voltage: 30 VAC/42 VDC at 1.5 AMPS

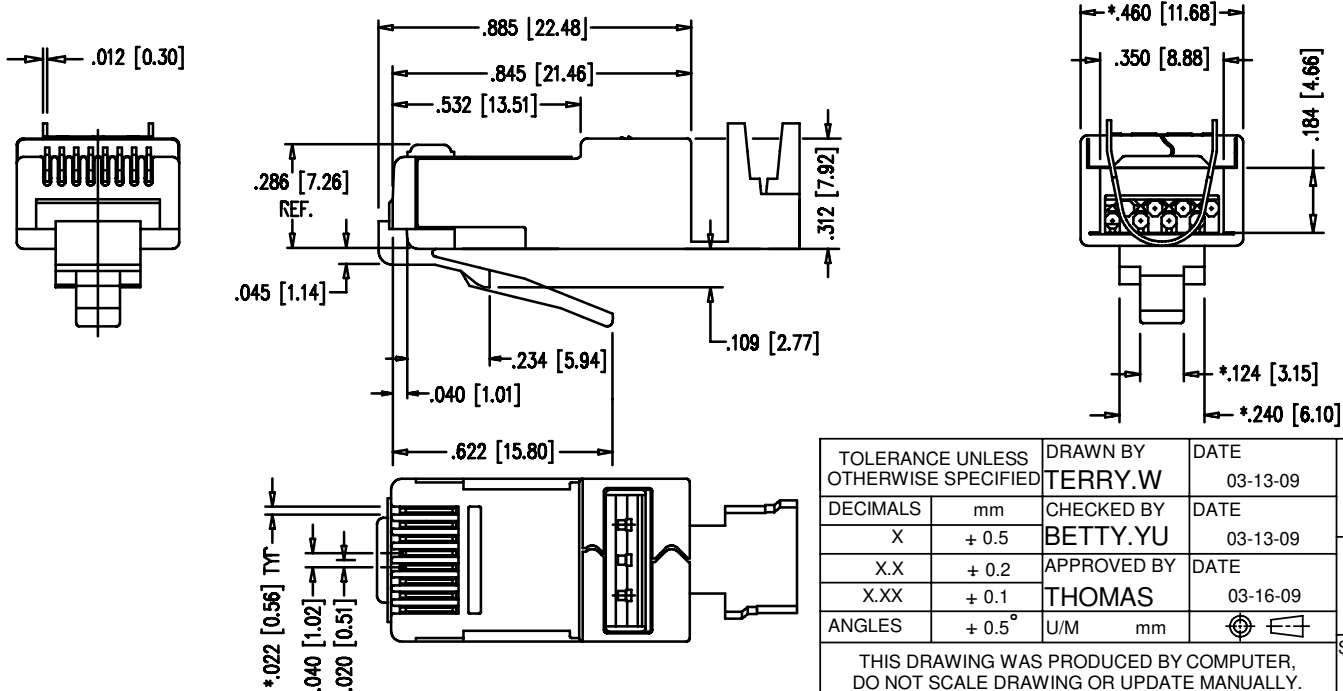
Material: Shield .012THK CDA-260 1/4 HARD BRASS
100-150 MICRO-INCH TIN PLATED

Housing Polycarbonate

Contact Phosphor bronze-.012THK
Gold plated

RoHS Compliance: Yes

Technical Detail: Meets or exceeds Category 5e TIA/EIA 568-B.2



DRAWING NO.	
32-2298UL-CUST	
REVISIONS	
01	OFFICIAL RELEASE
	10-13-09 T W B Y T
02	TYP0 MISTAKE: BRESS SHOULD BE BRASS
	08-14-12 Y G Y G M L ECO-12-0208

CUSTOMER COPY

TOLERANCE UNLESS OTHERWISE SPECIFIED		DRAWN BY	DATE
DECIMALS	mm	TERRY.W	03-13-09
X	+ 0.5	CHECKED BY	DATE
X.X	+ 0.2	BETTY.YU	03-13-09
X.XX	+ 0.1	APPROVED BY	DATE
ANGLES	+ 0.5°	THOMAS	03-16-09
		U/M	mm

EMERSON
Network Power

Connectivity Solutions

TITLE
Eight Conductor MOD Plug, Shield

THIS DRAWING WAS PRODUCED BY COMPUTER, DO NOT SCALE DRAWING OR UPDATE MANUALLY.		SHEET	DRAWING NO.	SIZE
		1 OF 1	32-2298UL-CUST	A

5

4

3

2

1