



Chipsmall Limited consists of a professional team with an average of over 10 year of expertise in the distribution of electronic components. Based in Hongkong, we have already established firm and mutual-benefit business relationships with customers from,Europe,America and south Asia,supplying obsolete and hard-to-find components to meet their specific needs.

With the principle of "Quality Parts,Customers Priority,Honest Operation,and Considerate Service",our business mainly focus on the distribution of electronic components. Line cards we deal with include Microchip,ALPS,ROHM,Xilinx,Pulse,ON,Everlight and Freescale. Main products comprise IC,Modules,Potentiometer,IC Socket,Relay,Connector.Our parts cover such applications as commercial,industrial, and automotives areas.

We are looking forward to setting up business relationship with you and hope to provide you with the best service and solution. Let us make a better world for our industry!



Contact us

Tel: +86-755-8981 8866 Fax: +86-755-8427 6832

Email & Skype: info@chipsmall.com Web: www.chipsmall.com

Address: A1208, Overseas Decoration Building, #122 Zhenhua RD., Futian, Shenzhen, China





TW3030 Permanent Mount GPS L1 Antenna

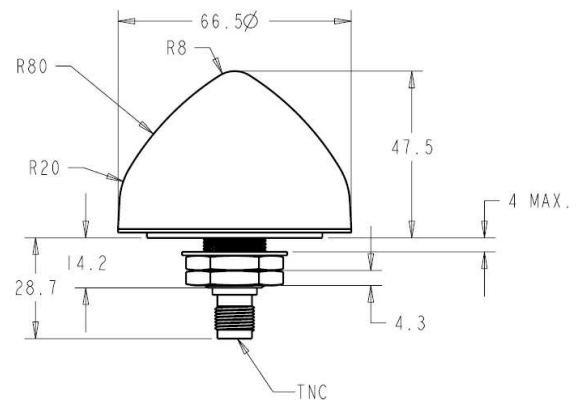
The TW3030 by Tallysman Wireless is a professional grade, permanent mount GPS L1 antenna, specially designed for professional precision timing applications.

The TW3030 features a custom high performance, wide band patch element, a 30dB gain LNA stage and a high rejection out-of-band SAW filter. It provides ± 10 MHz bandwidth centred on 1575.42 MHz and covers the GPS L1, Galileo E1 and SBAS (WAAS/EGNOS/MSAS) signals. It provides great axial ratio, excellent circular polarized signal reception, great multipath rejection and great out-of-band signal rejection.

The TW3030 is housed in a compact, industrial-grade weather-proof, domed shaped enclosure. Its radome is available in dark gray or white, it comes with a TNC female connector and a L-bracket for pole mount is available (P/N#23-0040-0).



TW3030 Dimensions (mm)



Applications

- High Accuracy, Mission Critical GPS Timing
- Military & Security
- Network Timing and Synchronisation

Features

- Great axial ratio
- Low noise LNA: 1 dB
- High rejection SAW filter
- High gain: 30 dB typ.
- Low current: 10 mA typ.
- ESD circuit protection: 15 KV
- Wide voltage input range: +3.0 to 10 VDC
- Weather proof housing: IP67

Benefits

- Excellent multipath rejection
- Increase system accuracy
- Excellent signal to noise ratio
- Great out of band signal rejection
- Ideal for harsh environments
- RoHS compliant



TW3030 Permanent Mount GPS L1 Antenna

Specifications

Vcc = 3V, over full bandwidth, T=25°C

Antenna

Antenna Element Gain (100mm ground plane) 4 dBic at 90°
Axial Ratio (over full bandwidth) 4 dB at 90°

Electrical

Architecture 2 stage LNA circuit + a mid section SAW filter.
(Pre-filter option available)
Frequency Bandwidth 1575 MHz ± 10 MHz
Polarization RHCP
Gain 30 dB typ. (at 1575.42 MHz)
Out-of-Band Rejection <1560 MHz >42 dB
>1600 MHz >31 dB
>1620 MHz >45 dB
VSWR (at LNA input) <1.5:1
Noise Figure 1 dB typ.
Supply Voltage Range +3.0 to 10 VDC nominal
Supply Current 10 mA typ.
ESD Circuit Protection 15 KV air discharge

Mechanicals & Environmental

Mechanical Size 66.5 mm dia. x 45 mm H
Connector / Cable TNC female bulkhead / Custom cable assembly available
Operating Temp. Range -40 to +85 °C
Enclosure Radome: Dark Gray or White ASA Plastic,
Base: Zamak White Metal
Weight 150 g
Attachment Method L-Bracket option: P/N# 23-0040-0
Environmental IP67 and RoHS compliant
Shock Vertical axis: 50 G, other axes: 30 G
Vibration 3 axis, sweep = 15 min, 10 to 200 Hz sweep: 3 G
Warranty One year – parts and labour

Ordering Information

TW3030 – GPS L1 antenna, dark gray, TNC connector 32-3030-0-00
TW3030 – GPS L1 antenna, white, TNC connector 32-3030-0-01

Please contact Tallysman Wireless additional information

Tallysman Wireless Inc

106 Schneider Road, Unit 3
Ottawa ON K2K 1Y2 Canada
Tel 613 591 3131
Fax 613 591 3121
sales@tallysman.com

The information provided herein is intended as a guide only and is subject to change without notice. This document is not to be regarded as a guarantee of performance. Tallysman Wireless Inc. hereby disclaims any or all warranties and liabilities of any kind. © 2011 Tallysman Wireless Inc. All rights reserved.