



Chipsmall Limited consists of a professional team with an average of over 10 year of expertise in the distribution of electronic components. Based in Hongkong, we have already established firm and mutual-benefit business relationships with customers from,Europe,America and south Asia,supplying obsolete and hard-to-find components to meet their specific needs.

With the principle of “Quality Parts,Customers Priority,Honest Operation,and Considerate Service”,our business mainly focus on the distribution of electronic components. Line cards we deal with include Microchip,ALPS,ROHM,Xilinx,Pulse,ON,Everlight and Freescale. Main products comprise IC,Modules,Potentiometer,IC Socket,Relay,Connector.Our parts cover such applications as commercial,industrial, and automotives areas.

We are looking forward to setting up business relationship with you and hope to provide you with the best service and solution. Let us make a better world for our industry!



## Contact us

Tel: +86-755-8981 8866 Fax: +86-755-8427 6832

Email & Skype: info@chipsmall.com Web: www.chipsmall.com

Address: A1208, Overseas Decoration Building, #122 Zhenhua RD., Futian, Shenzhen, China



5

4

3

2

1

DRAWING NO.

32-6198UL - CUST

## REVISIONS

OFFICIAL RELEASE

01

03-20-09

T

W

B

Y

T

Description: Cat6 RJ45 with load bar UIL

Part No: 32-6198UL

Application: Modular Plug

Crimp Tool: N/A

Insulation Resistance: 1000 Ohms

Frequency Range: N/A

Material: Housing Polycarbonate  
Contact Phosphor bronze Gold plated  
Insert bar Polycarbonate

RoHS Compliance: Yes

Technical Detail: N/A



CUSTOMER COPY



TITLE  
CAT6 RJ45 WITH LOAD BAR,UL

SHEET  
1 OF 1

DRAWING NO.  
32-6198UL -CUST

SIZE  
A

TOLERANCE UNLESS OTHERWISE SPECIFIED		DRAWN BY TERRY.W	DATE 03-20-09
DECIMALS	mm	CHECKED BY BETTY.YU	DATE 03-20-09
X	± 0.5	APPROVED BY THOMAS	DATE 03-20-09
X.X	± 0.3	U/M	mm
X.XX	± 0.1		
ANGLES	± 0.5°		

THIS DRAWING WAS PRODUCED BY COMPUTER,  
DO NOT SCALE DRAWING OR UPDATE MANUALLY.

D

D

C

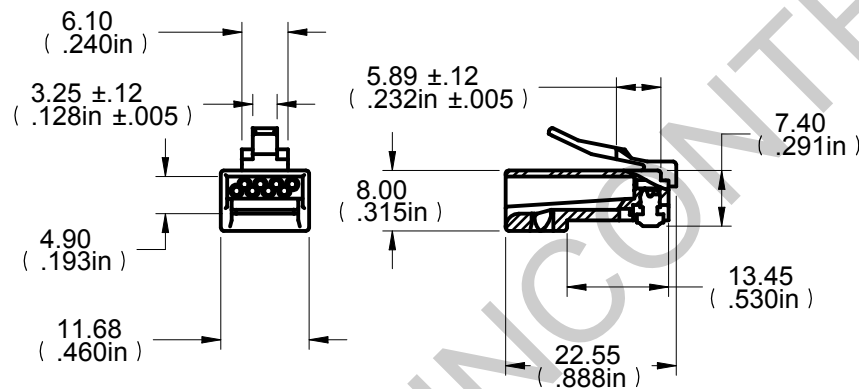
C

B

B

A

A

**DIM OUTLINE**

5

4

3

2

1