



Chipsmall Limited consists of a professional team with an average of over 10 year of expertise in the distribution of electronic components. Based in Hongkong, we have already established firm and mutual-benefit business relationships with customers from,Europe,America and south Asia,supplying obsolete and hard-to-find components to meet their specific needs.

With the principle of “Quality Parts,Customers Priority,Honest Operation,and Considerate Service”,our business mainly focus on the distribution of electronic components. Line cards we deal with include Microchip,ALPS,ROHM,Xilinx,Pulse,ON,Everlight and Freescale. Main products comprise IC,Modules,Potentiometer,IC Socket,Relay,Connector.Our parts cover such applications as commercial,industrial, and automotives areas.

We are looking forward to setting up business relationship with you and hope to provide you with the best service and solution. Let us make a better world for our industry!



Contact us

Tel: +86-755-8981 8866 Fax: +86-755-8427 6832

Email & Skype: info@chipsmall.com Web: www.chipsmall.com

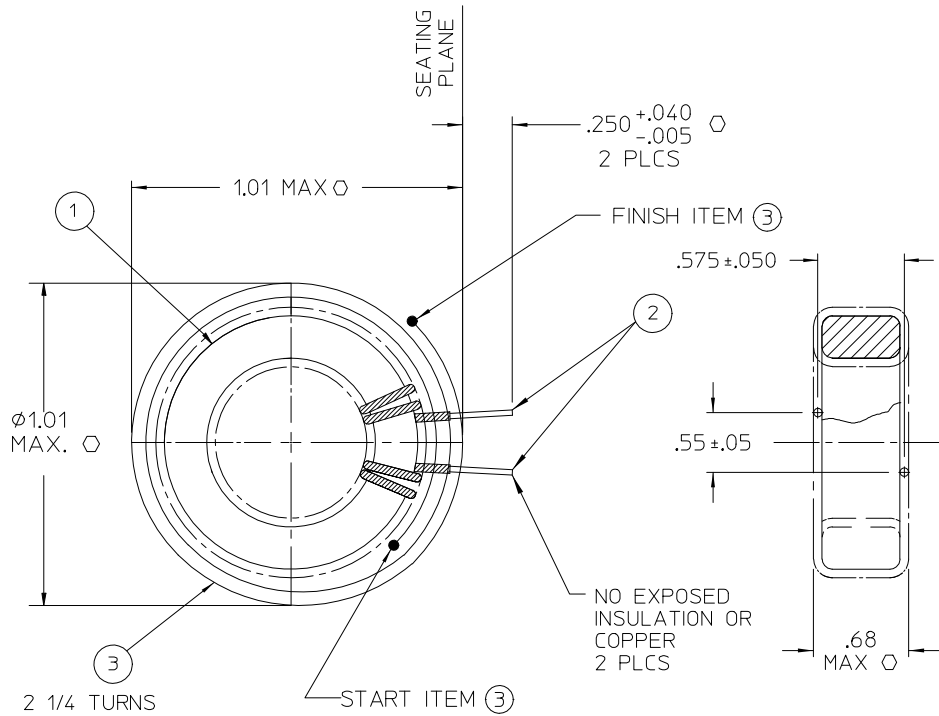
Address: A1208, Overseas Decoration Building, #122 Zhenhua RD., Futian, Shenzhen, China



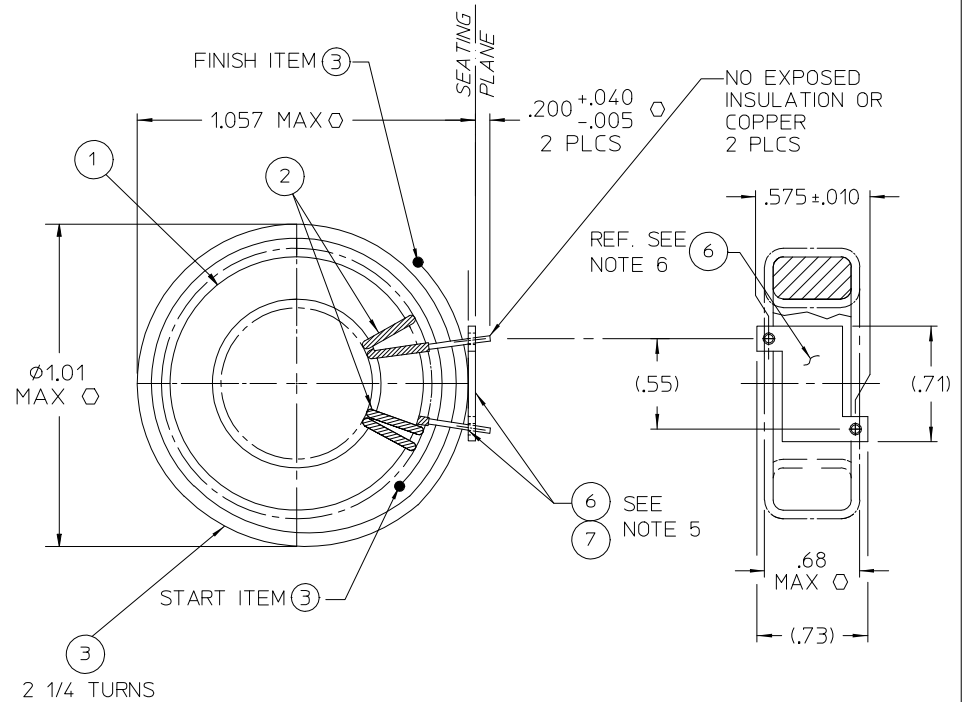
THIS DOCUMENT AND THE DATA DISCLOSED HEREIN OR HEREWITH IS NOT TO BE REPRODUCED, USED, OR DISCLOSED IN WHOLE OR IN PART TO ANYONE WITHOUT PERMISSION OF VICOR CORP.

| REV. | DESCRIPTION | DATE | APPROVED |
|------|----------------------|----------|----------|
| 1 | RELEASED PER E060516 | 02/21/06 | MB |
| 2 | REVISED PER E080938 | 5/6/08 | REJH |
| 3 | REVISED PER E081632a | 08/22/08 | CR |

WITHOUT SPACER



WITH SPACER



NOTES:

1. ASSEMBLY TO BE FREE OF NICKS.
2. WINDINGS TO BE EVENLY SPACED.
3. RoHS COMPLIANT, LEAD FREE PER CST-0001 LATEST REVISION, MAGNETICS SECTION.
4. GENERAL WORKMANSHIP STANDARDS FOR MAGNETIC COMPONENTS PER WS-0002.
5. BOND SPACER (ITEM 6) TO DEVICE LEADS (2 PLACES), USING ADHESIVE (ITEM 7).
6. ORIENTATION OF ITEM 6 TO BE AS SHOWN.
7. ASSEMBLY MAY NOT HAVE ITEM 3 (TAPE).
8. Ø DENOTES CRITICAL CHARACTERISTIC FOR LOT INSPECTION.

REF VICOR P/N 32011
 REF VICOR P/N 32012
 REF VICOR P/N 32013

| | | | | | |
|---|------------------|-----------|-------------------|------------------|----------|
| DRAWN BY <i>P.E.IENI</i> | DATE 11/14/05 | | | | |
| <small>UNLESS OTHERWISE SPECIFIED DIMENSIONS ARE IN INCHES - TOLERANCES ARE: FRACTIONS DECIMALS ANGLES</small> <small>+1/64 .XX+ .01 .1°</small> <small>.XXX-.005 .1°</small> | | | | | |
| <small>THIRD ANGLE PROJECTION</small> | | SIZE C | FSCM NO. 67131 | DWG NO. 32015 | REV 3 |
| <small>DO NOT SCALE DRAWING</small> | | SCALE | SHEET 1 OF 1 | | |