



Chipsmall Limited consists of a professional team with an average of over 10 year of expertise in the distribution of electronic components. Based in Hongkong, we have already established firm and mutual-benefit business relationships with customers from,Europe,America and south Asia,supplying obsolete and hard-to-find components to meet their specific needs.

With the principle of “Quality Parts,Customers Priority,Honest Operation,and Considerate Service”,our business mainly focus on the distribution of electronic components. Line cards we deal with include Microchip,ALPS,ROHM,Xilinx,Pulse,ON,Everlight and Freescale. Main products comprise IC,Modules,Potentiometer,IC Socket,Relay,Connector.Our parts cover such applications as commercial,industrial, and automotives areas.

We are looking forward to setting up business relationship with you and hope to provide you with the best service and solution. Let us make a better world for our industry!



Contact us

Tel: +86-755-8981 8866 Fax: +86-755-8427 6832

Email & Skype: info@chipsmall.com Web: www.chipsmall.com

Address: A1208, Overseas Decoration Building, #122 Zhenhua RD., Futian, Shenzhen, China



4

3

2

1

THIS DRAWING IS UNPUBLISHED.

RELEASED FOR PUBLICATION

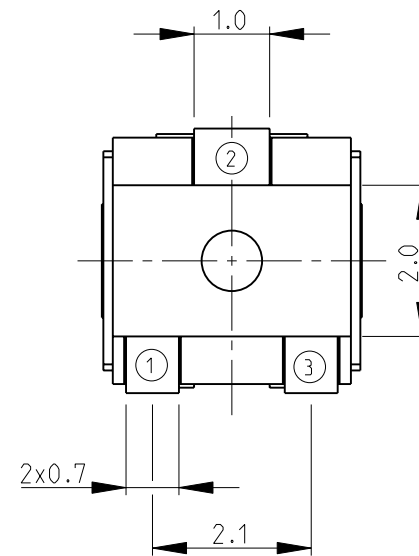
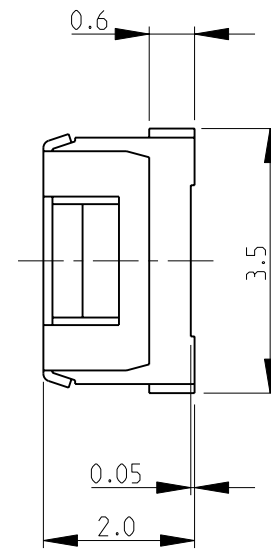
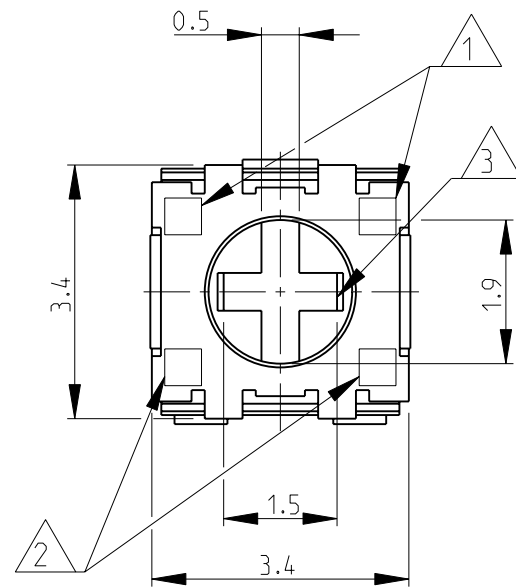
2008

© COPYRIGHT 2008 BY -

ALL RIGHTS RESERVED.

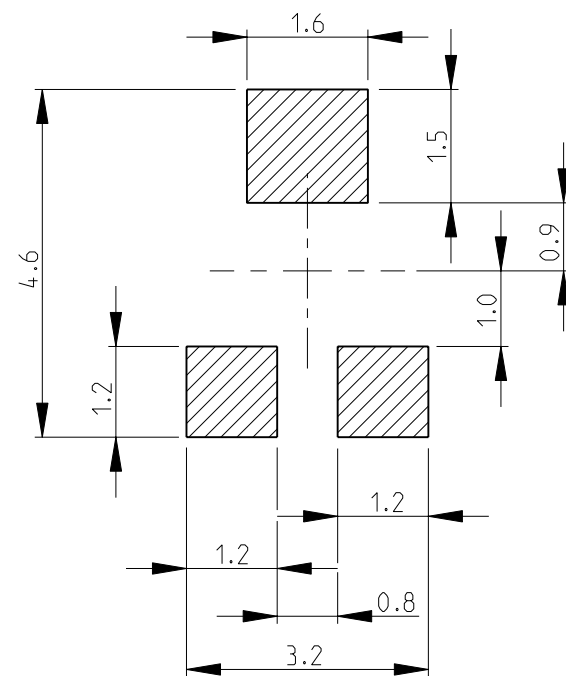
LOC	DIST	REVISIONS			
P	LTR	DESCRIPTION	DATE	DWN	APVD
E	B	BA1	REVISED PER ECO-11-005150	29MAR2011	RK HMR

- 1 DATE CODE
- 2 RESISTANCE CODE 2 DIGITS
- 3 CROSS SLOT FOR "0" BIT DRIVER, DEPTH: 0.45mm
- 4 FOR FURTHER INFORMATION SEE DATA SHEET FOR 3203 SERIES-SMD TRIMMERS

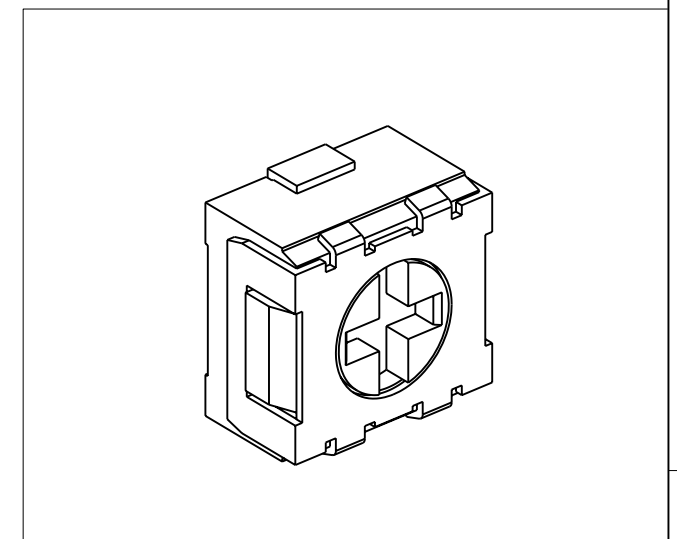
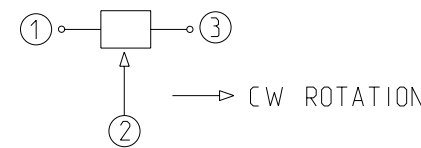



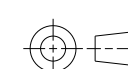
RoHS Compliant

RECOMMENDED LAND PATTERN



CIRCUIT DIAGRAM



THIS DRAWING IS A CONTROLLED DOCUMENT.		DWN	SUBHASH.M	12-NOV-08	 TE Connectivity	NAME		SMD TRIMMERS SERIES 3203			
DIMENSIONS: mm		CHK	PRAKASH.S	12-NOV-08		PRODUCT SPEC		-			
		APVD	STEPHEN.P	12-NOV-08		APPLICATION SPEC		-			
TOLERANCES UNLESS OTHERWISE SPECIFIED:		MATERIAL		-		WEIGHT		-			
0 PLC ± 0.2 1 PLC ± 0.1 2 PLC ± - 3 PLC ± - 4 PLC ± - ANGLES ± 5° FINISH -		CUSTOMER DRAWING		SCALE	10:1	SHEET	1 OF 1	REV	BA1		
-		-		SIZE	A3	CAGE CODE	00779	DRAWING NO	1623916	RESTRICTED TO	-