



Chipsmall Limited consists of a professional team with an average of over 10 year of expertise in the distribution of electronic components. Based in Hongkong, we have already established firm and mutual-benefit business relationships with customers from,Europe,America and south Asia,supplying obsolete and hard-to-find components to meet their specific needs.

With the principle of “Quality Parts,Customers Priority,Honest Operation,and Considerate Service”,our business mainly focus on the distribution of electronic components. Line cards we deal with include Microchip,ALPS,ROHM,Xilinx,Pulse,ON,Everlight and Freescale. Main products comprise IC,Modules,Potentiometer,IC Socket,Relay,Connector.Our parts cover such applications as commercial,industrial, and automotives areas.

We are looking forward to setting up business relationship with you and hope to provide you with the best service and solution. Let us make a better world for our industry!



Contact us

Tel: +86-755-8981 8866 Fax: +86-755-8427 6832

Email & Skype: info@chipsmall.com Web: www.chipsmall.com

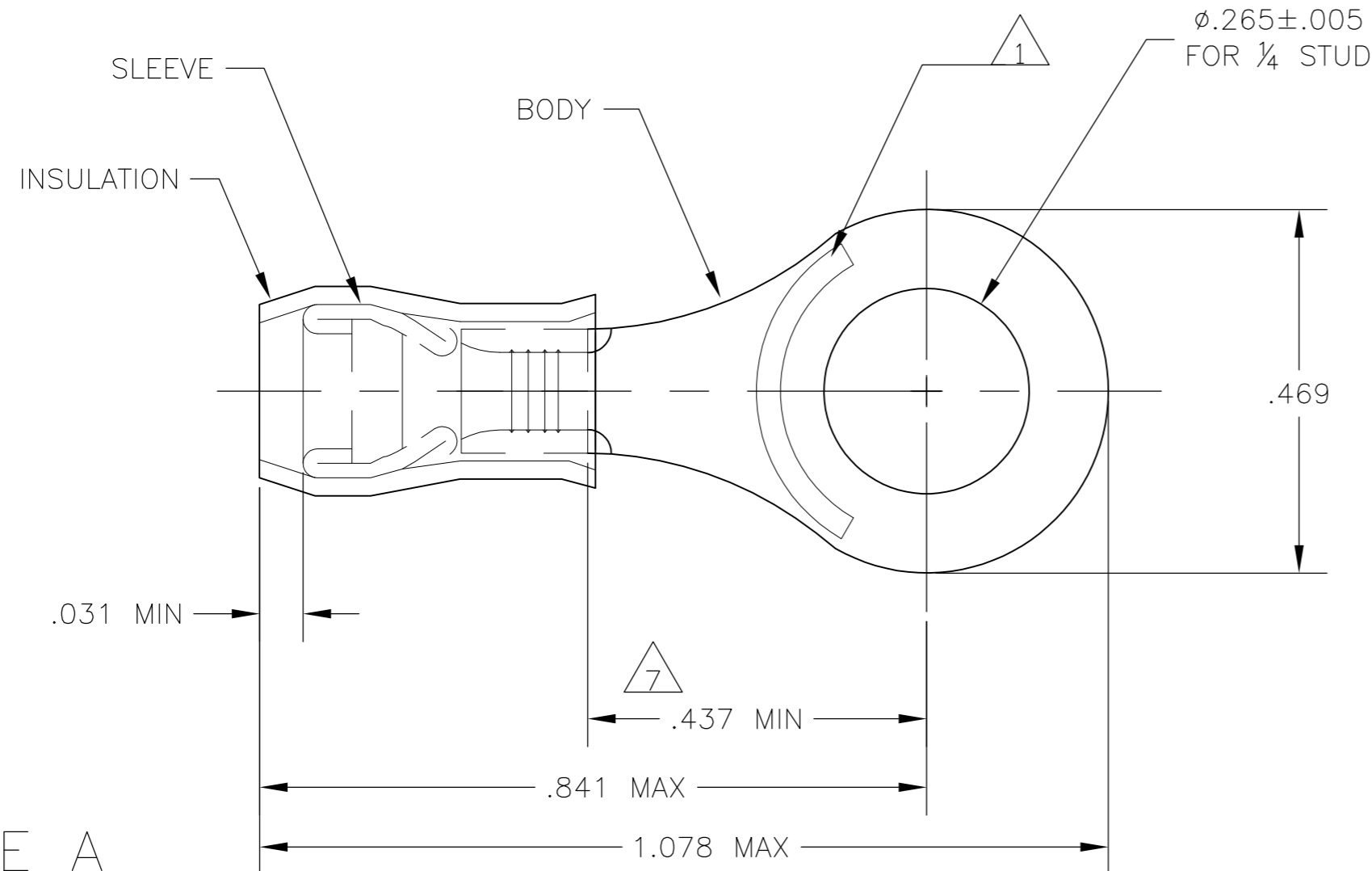
Address: A1208, Overseas Decoration Building, #122 Zhenhua RD., Futian, Shenzhen, China



THIS DRAWING IS UNPUBLISHED. RELEASED FOR PUBLICATION
 © COPYRIGHT - By - ALL RIGHTS RESERVED.

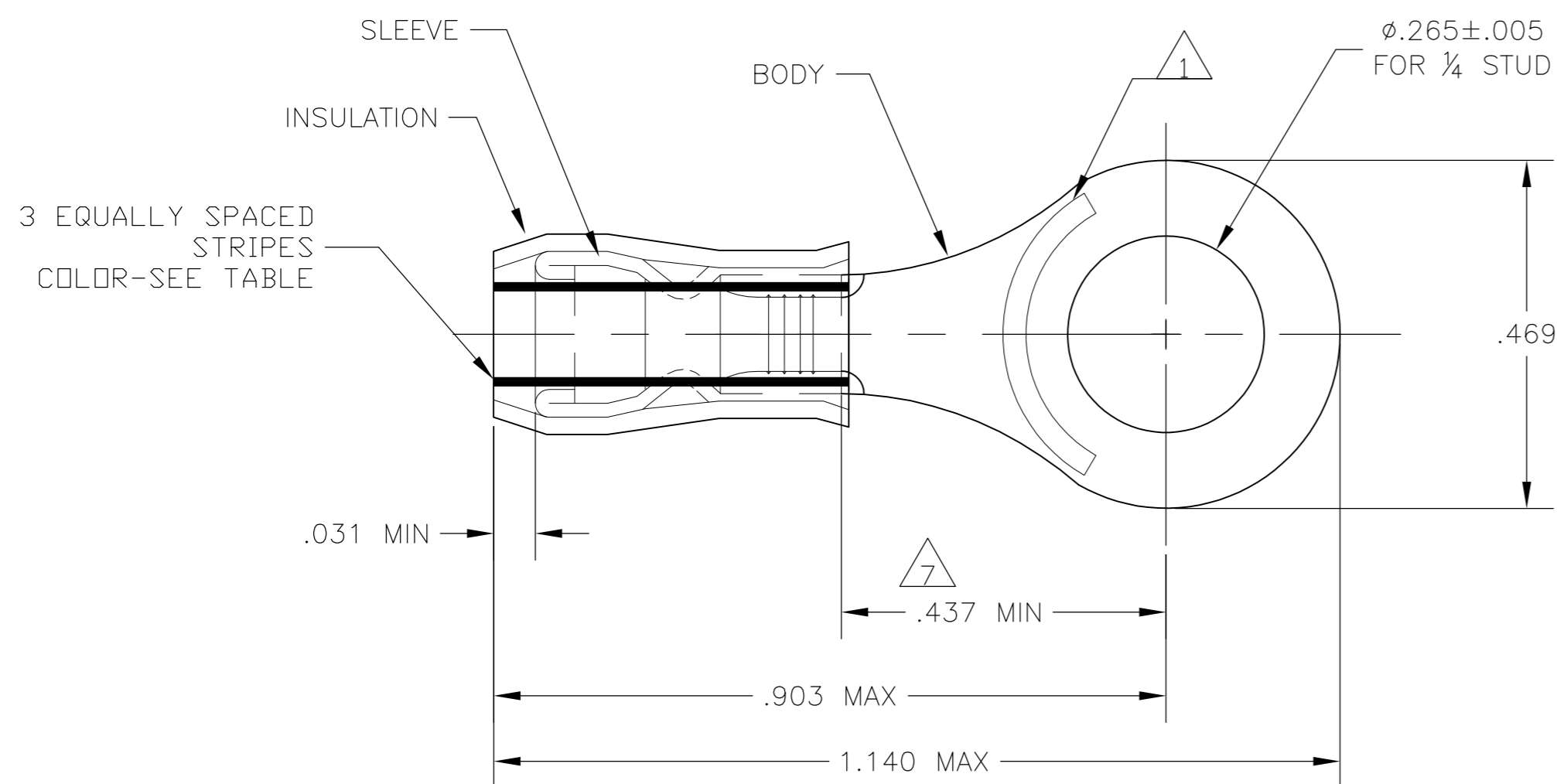
LOC	DIST	REVISIONS			
P	LTR	DESCRIPTION	DATE	DWN	APVD
G	14				
	N3	REVISED PER ECO-11-004820	11MAR11	RK	HMR

AMP WIRE RANGE	UL E13288 Listed	LR7189 Certified
16-14 AWG SOLID OR STRANDED	16-14 AWG SOLID OR STRANDED	16-14 AWG SOLID OR STRANDED



- 1 STAMP "AMP - SEE TABLE" APPROX AS SHOWN
- 2 WIRE INSULATION DIA: SEE TABLE
- 3 TONGUE MATERIAL THK: .031 ± .002
- 4 BODY: TIN PLATE .000100 MIN EXT THK PER ASTM B545
- 5 SLEEVE: TIN PLATE .000100 MIN EXT THK PER ASTM B545
- 6 BODY & SLEEVE- CU PER ASTM B152
INSULATION - NYLON PER ASTM D4066
COLOR - BLUE
- 7 APPLIES FROM EDGE OF METAL WIRE BARREL TO CENTER OF STUD HOLE.
- 8 MEETS MS25036-154, CLASS 1 & 2
- 9 MEETS MS25036-154, CLASS 2
- 10 MEETS M7928/1-43, CLASS 1 & 2
- 11 MEETS M7928/1-52, CLASS 1 & 2

STYLE A



STYLE B
INSULATION RESTRICTING

OBSOLETE
OBSOLETE

QTY	PACKAGE TYPE	STAMPING	WIRE INSUL DIA	WIRE SIZE	STRIPE COLOR	STYLE	BODY FINISH	SLEEVE FINISH	PART NO
100	LOOSE PIECE, BOX		16-14	.105-.150	16-14 --	A			8-320563-1
500	320563-4 ON TAPE		14	.078-.130	14 GREEN	B			2-320563-6
500	320563-3 ON TAPE		16	.063-.130	16 BLUE	B			2-320563-5
500	LOOSE PIECE		14	.078-.130	14 GREEN	B	4	5	11 2-320563-4
500	LOOSE PIECE		16	.063-.130	16 BLUE	B			10 2-320563-3
500	320563 ON TAPE		16-14	.105-.150	16-14 --	A			9 2-320563-2
500	LOOSE PIECE		16-14	.105-.150	16-14 --	A			8 320563

CUSTOMER SERVICE SYSTEMS		MAX RECOMMENDED OPERATING TEMPERATURE: 105°C MAX	THIS DRAWING IS A CONTROLLED DOCUMENT.		DWN JR RUTH 13JAN10	TE TE Connectivity	
FOR ADDITIONAL PRODUCT INFORMATION OR COPIES OF DRAWINGS AND TECHNICAL DOCUMENTS	PRODUCT INFORMATION CENTER 1-800-522-6752	VOLTAGE RATING: 300 VOLT MAX	DIMENSIONS: INCHES	TOLERANCES UNLESS OTHERWISE SPECIFIED: 0 PLC ± - 1 PLC ± - 2 PLC ± - 3 PLC ± .008 4 PLC ± -	CHK T MICHIELUTTI 13JAN10	NAME TERMINAL, RING TONGUE, PIDG WIRE SIZE: 16-14 AWG	
FOR APPLICATION TOOLING INFORMATION	TOOLING ASSISTANCE CENTER 1-800-722-1111	CIRCULAR MIL AREA: 1.02-2.62mm² [2,050-5,180] STRANDED OR SOLID		FINISH	APVD T MICHIELUTTI 13JAN10	SIZE A2	CAGE CODE 00779
FOR ORDER ENTRY	1-800-526-5142	THIS DRAWING IS A CONTROLLED DOCUMENT FOR AMP INCORPORATED. IT IS SUBJECT TO CHANGE AND THE CONTROLLING ENGINEERING ORGANIZATION SHOULD BE CONTACTED FOR THE LATEST REVISION.		MATERIAL - 6	PRODUCT SPEC -	DRAWING NO C=320563	RESTRICTED TO -
				CUSTOMER DRAWING	WEIGHT -	SCALE 5:1	SHEET 1 of 1
						REV N3	