



Chipsmall Limited consists of a professional team with an average of over 10 year of expertise in the distribution of electronic components. Based in Hongkong, we have already established firm and mutual-benefit business relationships with customers from,Europe,America and south Asia,supplying obsolete and hard-to-find components to meet their specific needs.

With the principle of “Quality Parts,Customers Priority,Honest Operation,and Considerate Service”,our business mainly focus on the distribution of electronic components. Line cards we deal with include Microchip,ALPS,ROHM,Xilinx,Pulse,ON,Everlight and Freescale. Main products comprise IC,Modules,Potentiometer,IC Socket,Relay,Connector.Our parts cover such applications as commercial,industrial, and automotives areas.

We are looking forward to setting up business relationship with you and hope to provide you with the best service and solution. Let us make a better world for our industry!



Contact us

Tel: +86-755-8981 8866 Fax: +86-755-8427 6832

Email & Skype: info@chipsmall.com Web: www.chipsmall.com

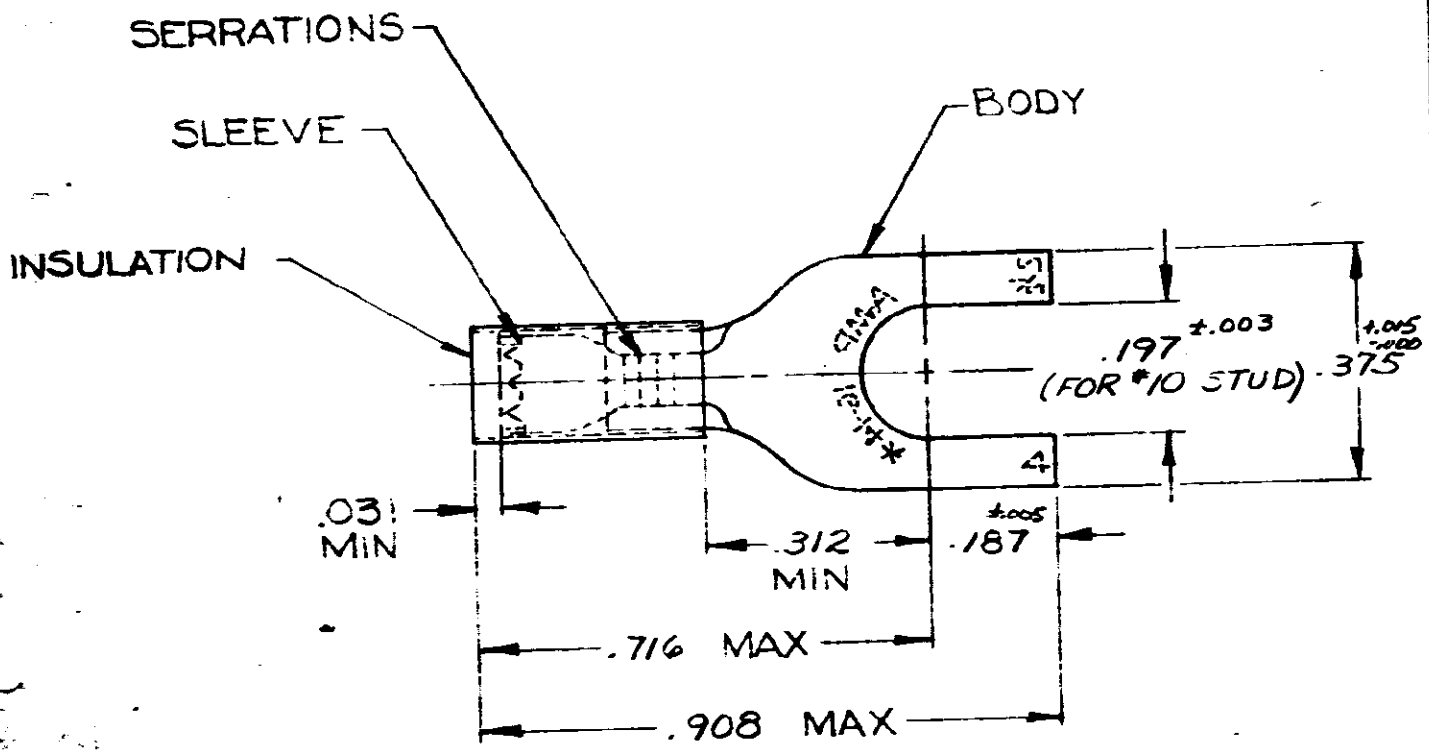
Address: A1208, Overseas Decoration Building, #122 Zhenhua RD., Futian, Shenzhen, China



MADE IN AMERICAN PROJECTION

© 1945 BY AMP INCORPORATED. ALL RIGHTS RESERVED. AMP PRODUCTS COVERED BY PATENTS AND/OR PATENTS PENDING.

REVISIONS			
LTR	DESCRIPTION	DATE	APPROVED
A	REDRAWN, REVISED (ADDED TAPE NO. P-6079)	3-16-70	RY
B	INACTIVATED 2--1 PER ECU P-9260	PMF 11/9/62	PMF
C	OBS. 2--1 G2591	RT 10-19-87	PMF
D	REV PER G-4732	JT 7/2/88	JT



TONGUE MATERIAL THK = .031 ±.002
FOR .105 TO .150 WIRE INSULATION DIA

32057	32057	OBSOLETE	BODY: COPPER (QQ-C-576) TIN PL (MIL-T-10727)
ON TAPE			SLEEVE: COPPER (QQ-C-576) INSULATION: NYLON COLOR: BLUE
1	WIRE TERMINAL	32057	MATERIAL & FINISH
QTY	DESCRIPTION	PART NO	
UNLESS OTHERWISE SPECIFIED DIMENSIONS ARE IN INCHES TOLERANCES ON: DECIMALS ±.008 ANGLES ± 5°		CONTRACT NO. #	 AMP INCORPORATED HARRISBURG, PENNSYLVANIA
MATERIAL	SEE TABLE	DR <i>Am Enam</i> 3-12-70 CHK <i>Ward</i> 3-16-70 APPD <i>Ward</i> 3-16-70 REL <i>Ward</i> 3-17-70 DSGN APPD OTHER APPD	
			SIZE A CODE IDENT NO. 00779 NUMBER 32057
			SCALE NTS