



Chipsmall Limited consists of a professional team with an average of over 10 year of expertise in the distribution of electronic components. Based in Hongkong, we have already established firm and mutual-benefit business relationships with customers from,Europe,America and south Asia,supplying obsolete and hard-to-find components to meet their specific needs.

With the principle of "Quality Parts,Customers Priority,Honest Operation,and Considerate Service",our business mainly focus on the distribution of electronic components. Line cards we deal with include Microchip,ALPS,ROHM,Xilinx,Pulse,ON,Everlight and Freescale. Main products comprise IC,Modules,Potentiometer,IC Socket,Relay,Connector.Our parts cover such applications as commercial,industrial, and automotives areas.

We are looking forward to setting up business relationship with you and hope to provide you with the best service and solution. Let us make a better world for our industry!



Contact us

Tel: +86-755-8981 8866 Fax: +86-755-8427 6832

Email & Skype: info@chipsmall.com Web: www.chipsmall.com

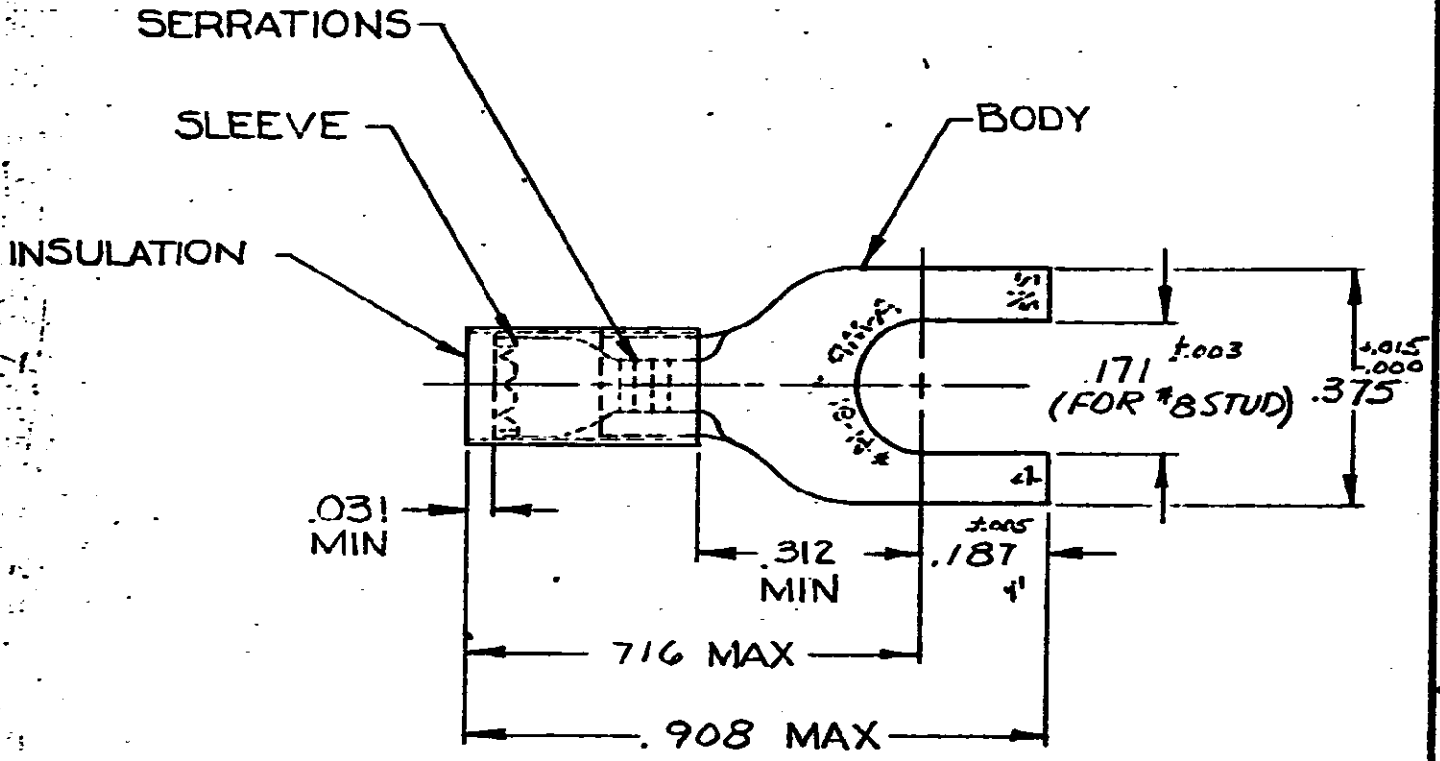
Address: A1208, Overseas Decoration Building, #122 Zhenhua RD., Futian, Shenzhen, China



DRAWING MADE IN AMERICAN PROJECTION

LOC 5 14 PRINT-CAST

REVISIONS			
LTR	DESCRIPTION	DATE	APPROVED
C1	REVISED PER ECO-11-005294	13APR11	HMR



TONGUE MATERIAL THK = .031 ±.002
FOR .115 TO .170 WIRE INSULATION DIA

QTY	DESCRIPTION	PART NO
100	LOOSE PC, BOX	8-32059-1

1	32059 ON TAPE	2-32059-1	BODY: COPPER (QQ-C-576) TIN PL (MIL-T-10727)
1	WIRE TERMINAL	32059	SLEEVE: COPPER (QQ-C-576) INSULATION: NYLON COLOR: BLUE
QTY	DESCRIPTION	PART NO	MATERIAL & FINISH
UNLESS OTHERWISE SPECIFIED DIMENSIONS ARE IN INCHES TOLERANCES ON: DECIMALS ±.008 ANGLES ±5°			
MATERIAL			
SEE TABLE			NAME: WIRE TERMINAL P.I.D.G. - SPADE WIRE SIZE: 16-14
CONTRACT NO. #			SIZE
DR. <i>M. E. ...</i> 2-12-70			CODE IDENT NO.
CHK. <i>R. ...</i> 3-16-70			NUMBER
APPD. <i>L. ...</i> 3-16-70			A 00779 32059
REL. <i>R. ...</i> 3-17-70			SCALE NTS
DSGN APPD. <i>H</i>			SHEET 1 OF 1
OTHER APPD.			CUSTOMER-DRAWING