



Chipsmall Limited consists of a professional team with an average of over 10 year of expertise in the distribution of electronic components. Based in Hongkong, we have already established firm and mutual-benefit business relationships with customers from,Europe,America and south Asia,supplying obsolete and hard-to-find components to meet their specific needs.

With the principle of “Quality Parts,Customers Priority,Honest Operation,and Considerate Service”,our business mainly focus on the distribution of electronic components. Line cards we deal with include Microchip,ALPS,ROHM,Xilinx,Pulse,ON,Everlight and Freescale. Main products comprise IC,Modules,Potentiometer,IC Socket,Relay,Connector.Our parts cover such applications as commercial,industrial, and automotives areas.

We are looking forward to setting up business relationship with you and hope to provide you with the best service and solution. Let us make a better world for our industry!



Contact us

Tel: +86-755-8981 8866 Fax: +86-755-8427 6832

Email & Skype: info@chipsmall.com Web: www.chipsmall.com

Address: A1208, Overseas Decoration Building, #122 Zhenhua RD., Futian, Shenzhen, China



THIS DRAWING IS UNPUBLISHED. RELEASED FOR PUBLICATION
 © COPYRIGHT - By - ALL RIGHTS RESERVED.

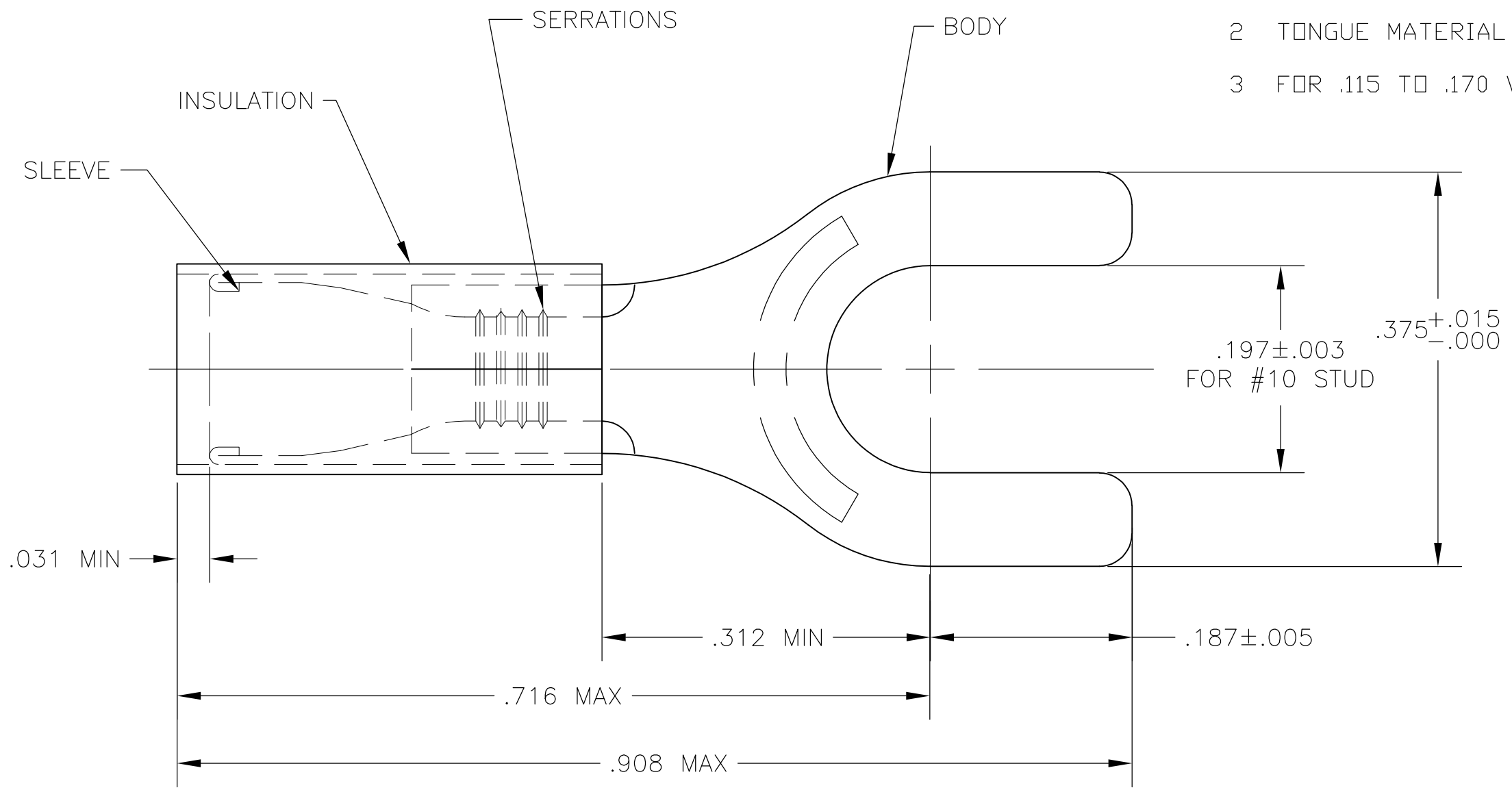
LOC	DIST	REVISIONS					
G	14	P	LTR	DESCRIPTION	DATE	DWN	APVD
		H1		REVISED PER ECO-11-004917	11MAR11	RK	HMR

PART NO	PACKAGE TYPE	QTY
8-32060-1	LOOSE PIECE, BOX	100

1 MATERIAL: BODY & SLEEVE - COPPER PER ASTM B152
 TIN PLATE PER ASTM B545
 INSULATION - NYLON, COLOR- BLUE

2 TONGUE MATERIAL THK IS .031±.002

3 FOR .115 TO .170 WIRE INSULATION DIA.



1	32060 ON TAPE	2-32060-1
1	WIRE TERMINAL	32060
QTY	DESCRIPTION	PART NO

THIS DRAWING IS A CONTROLLED DOCUMENT.		DWN	jr_ruth	10NOV04
DIMENSIONS: INCHES		CHK	T MICHELUTTI	10NOV04
TOLERANCES UNLESS OTHERWISE SPECIFIED:		APVD	T MICHELUTTI	10NOV04
0 PLC	± -	PRODUCT SPEC		
1 PLC	± -	APPLICATION SPEC		
2 PLC	± -	WEIGHT		
3 PLC	± .008	-		
4 PLC	± -	-		
ANGLES	± 5°	-		
MATERIAL	FINISH	CUSTOMER DRAWING		
1	1	-		

STE TE Connectivity			
NAME WIRE TERMINAL, PIDG - SPADE, WIRE SIZE : 16-14			
SIZE	CAGE CODE	DRAWING NO	RESTRICTED TO
A3	00779	C-32060	-
SCALE 8:1		SHEET 1 OF 1	REV H1