



Chipsmall Limited consists of a professional team with an average of over 10 year of expertise in the distribution of electronic components. Based in Hongkong, we have already established firm and mutual-benefit business relationships with customers from,Europe,America and south Asia,supplying obsolete and hard-to-find components to meet their specific needs.

With the principle of "Quality Parts,Customers Priority,Honest Operation,and Considerate Service",our business mainly focus on the distribution of electronic components. Line cards we deal with include Microchip,ALPS,ROHM,Xilinx,Pulse,ON,Everlight and Freescale. Main products comprise IC,Modules,Potentiometer,IC Socket,Relay,Connector.Our parts cover such applications as commercial,industrial, and automotives areas.

We are looking forward to setting up business relationship with you and hope to provide you with the best service and solution. Let us make a better world for our industry!



Contact us

Tel: +86-755-8981 8866 Fax: +86-755-8427 6832

Email & Skype: info@chipsmall.com Web: www.chipsmall.com

Address: A1208, Overseas Decoration Building, #122 Zhenhua RD., Futian, Shenzhen, China

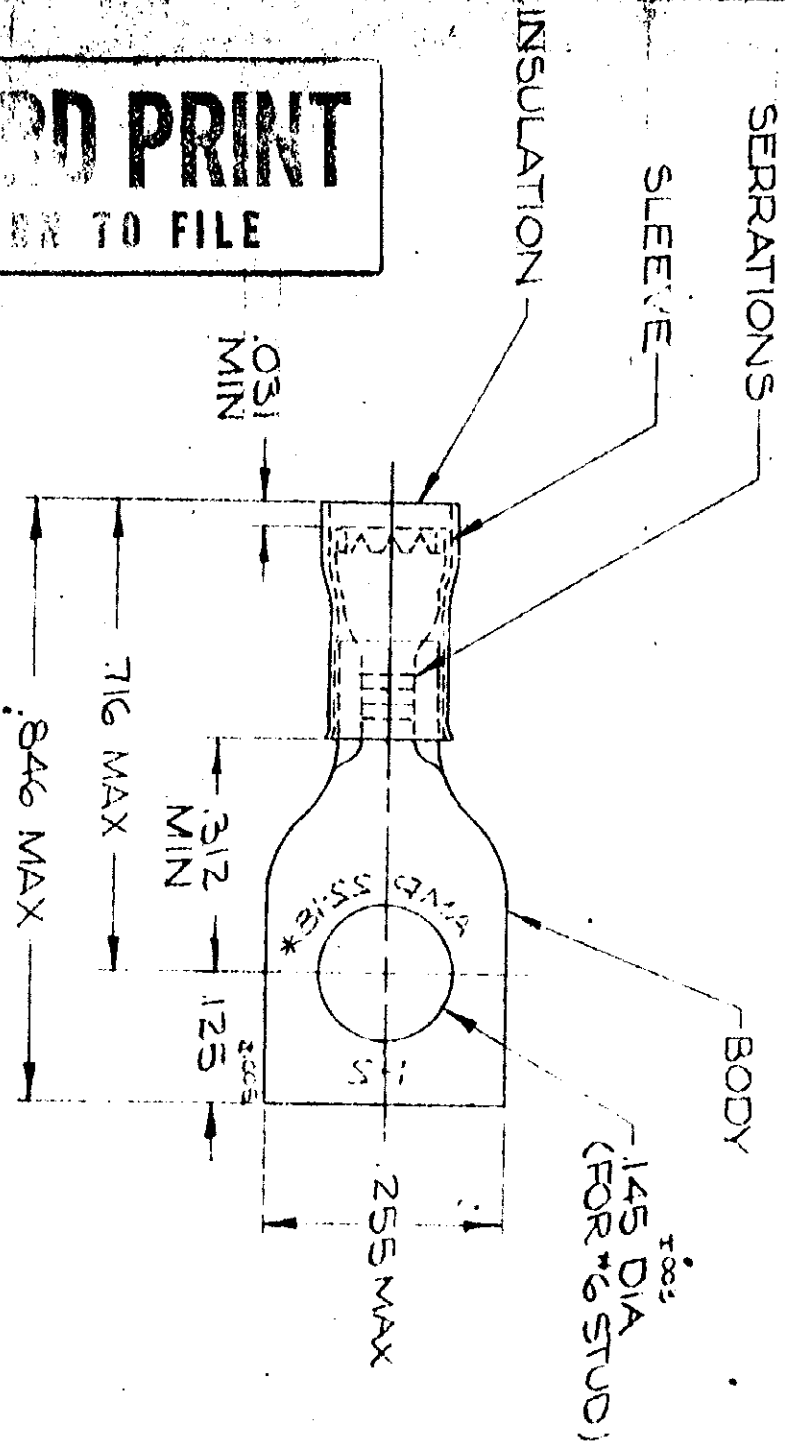


DRAWING MADE IN AMERICAN PROJECTION

LOC 6
PRINT 0181
141
2

© 1958 BY AMP INCORPORATED. ALL RIGHTS RESERVED. AMP PRODUCTS COVERED BY PATENTS AND/OR PATENTS PENDING.

REVISIONS		DATE	APPROVED
LTR	DESCRIPTION		
C	REDRAWN REV ADDED TYPE NO 3630	5-11-71	ECY



RECORD PRINT
RETURN TO FILE

TONGUE MATERIAL THK = .031
FOR .080 TO .125 WIRE INSULATION DIA
MARKING: 22-18 FOR MILITARY
COMMERCIAL RANGE 22-16

1	320629 ON TAPE	2320629-1	INSULATION: NYLON, (MIL-IT-20693) NET COLOR RED
1	WIRE TERMINAL	320629	BODY & SLEEVE: COPPER (GG-C-576) TIN PL (MIL-T-10727)
QTY DESCRIPTION		PART NO.	MATERIAL & FINISH
DIMENSIONS OTHERWISE SPECIFIED ARE IN INCHES TOLERANCES ON: .008 DECIMALS .008 ANGLES 1/32			
CONTRACT NO. 44 DR. 3-9-71 CHK. <i>W. J. Mill</i> APPD. <i>W. J. Mill</i> 3-11-71 REL. <i>W. J. Mill</i> 3-15-71 DSGN <i>W. J. Mill</i> OTHER APPD.			
SEE TABLE		NAME: WIRE TERMINAL P.D.G. - RECTANGULAR TONGUE WIRE SIZE: 22-16 AMP INCORPORATED HARRISBURG, PENNSYLVANIA	
SCALE: A		CODE IDENT NO. 00779	NUMBER 320629
SCALE: NTS		SHEET 1 OF 1	