



Chipsmall Limited consists of a professional team with an average of over 10 year of expertise in the distribution of electronic components. Based in Hongkong, we have already established firm and mutual-benefit business relationships with customers from,Europe,America and south Asia,supplying obsolete and hard-to-find components to meet their specific needs.

With the principle of "Quality Parts,Customers Priority,Honest Operation,and Considerate Service",our business mainly focus on the distribution of electronic components. Line cards we deal with include Microchip,ALPS,ROHM,Xilinx,Pulse,ON,Everlight and Freescale. Main products comprise IC,Modules,Potentiometer,IC Socket,Relay,Connector.Our parts cover such applications as commercial,industrial, and automotives areas.

We are looking forward to setting up business relationship with you and hope to provide you with the best service and solution. Let us make a better world for our industry!



## Contact us

Tel: +86-755-8981 8866 Fax: +86-755-8427 6832

Email & Skype: info@chipsmall.com Web: www.chipsmall.com

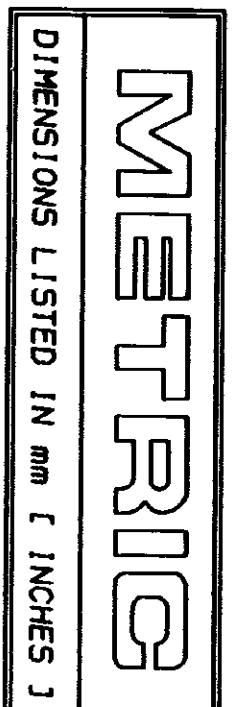
Address: A1208, Overseas Decoration Building, #122 Zhenhua RD., Futian, Shenzhen, China



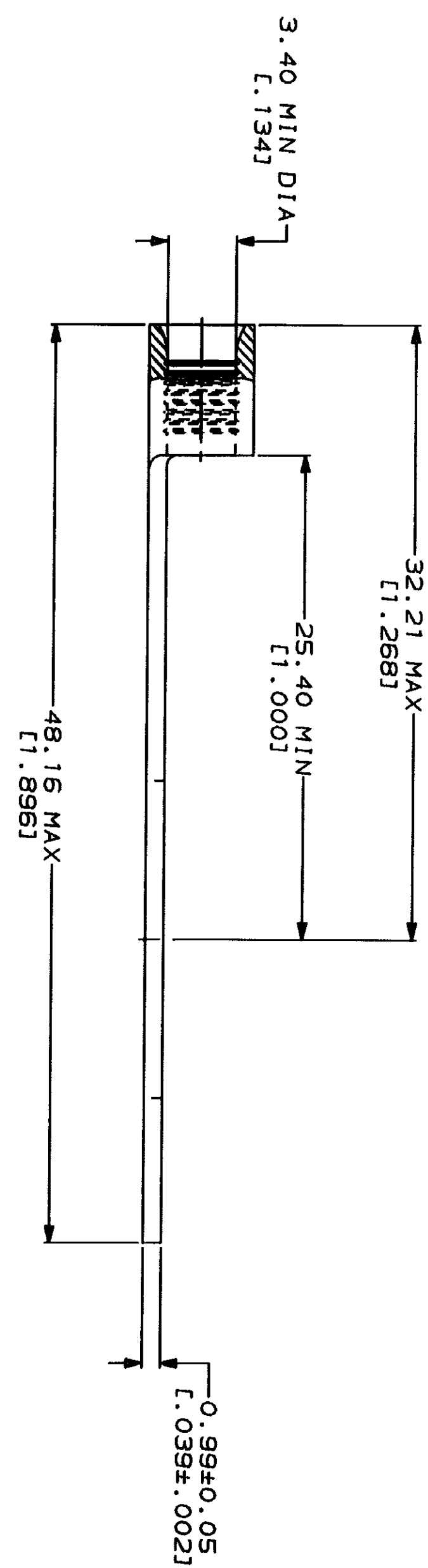
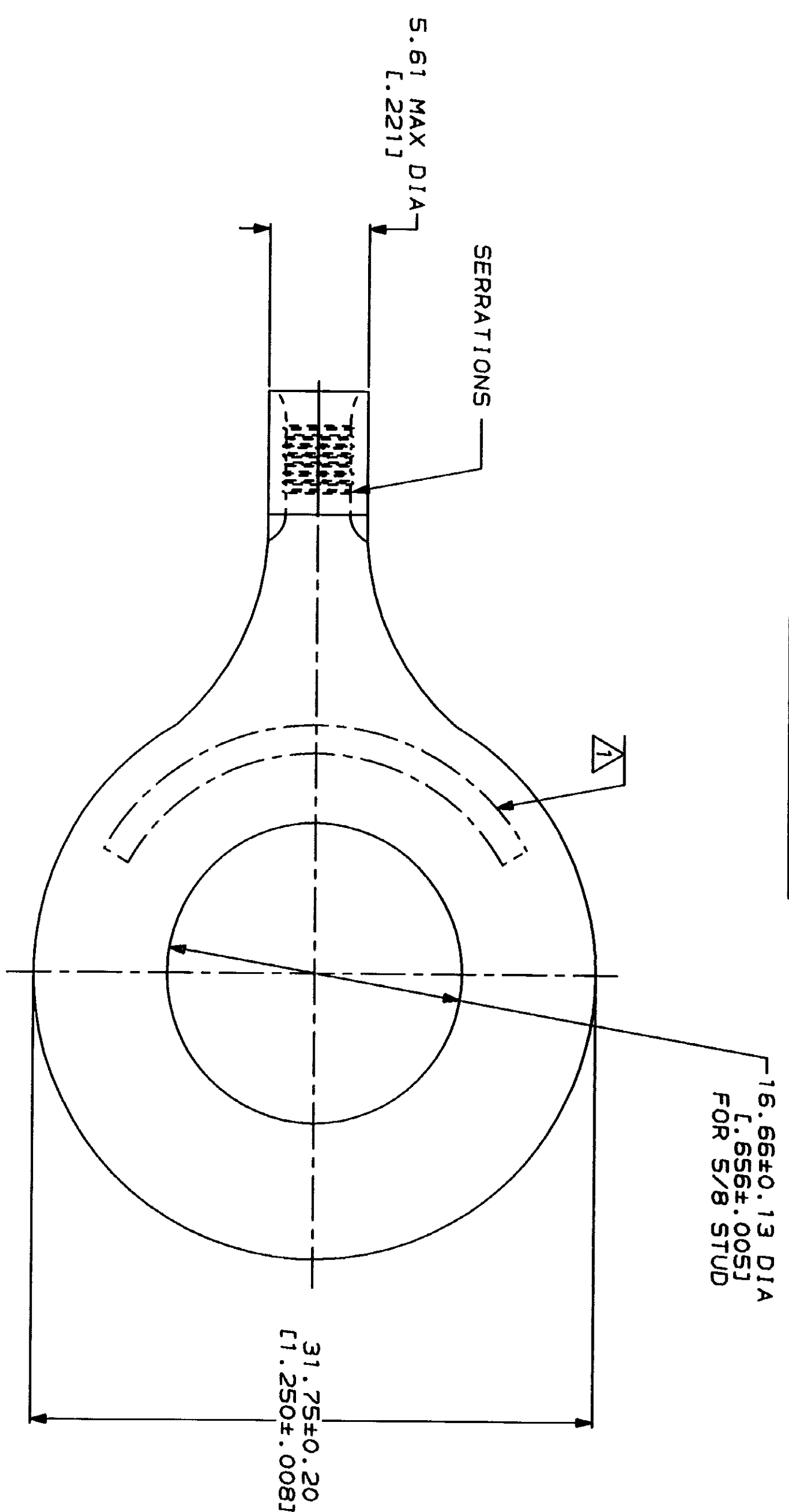
DRAWING MADE IN THIRD ANGLE PROJECTION  
 THIS DRAWING IS UNPUBLISHED.  
 COPYRIGHT 1983 BY AMP INCORPORATED. ALL INTERNATIONAL RIGHTS RESERVED.

RELEASED FOR PUBLICATION  
 BY AMP INCORPORATED. ALL INTERNATIONAL RIGHTS RESERVED.

LOC	DIST	REV	ZONE	DATE	APPD
G	14		A	2/28/94	DAV



WIRE RANGE	UL E13288 Listed
12-10 AWG STRANDED	12-10 AWG STRANDED
NOT CERTIFIED	MILITARY P/N AND CLASS
NOT CERTIFIED	NOT APPLICABLE



△ STAMP AMP 12-10\* APPROX AS SHOWN

AMP INCORPORATED  
 CUSTOMER SERVICE SYSTEMS

MAX RECOMMENDED OPERATING TEMPERATURE: 170°C MAX  
 VOLTAGE RATING: NOT APPLICABLE  
 WIRE CROSS SECTIONAL AREA RANGE: 2.62-6.64mm<sup>2</sup> [5,180-13,100] CIR MILS STRANDED

DO NOT SCALE PRINT. UNLESS SPECIFIED DIMENSIONS IN MILLIMETERS - TOLERANCES ON: 2 PLC DEC ± .1 ANGLES MATERIAL COPPER PER ASTM B-152 ANNEALED

DR 2-9-93 TA BRINKMAN  
 CHK 2-9-93 DA PATTERSON  
 APPD 2-9-93 DE MILLER  
 APPD 2-9-93 JL NECKLEY

AMP Incorporated  
 Harrisburg, PA 17105-3608

FOR ADDITIONAL COPIES OF DRAWINGS AND TECHNICAL DOCUMENTS  
 PRODUCT INFORMATION CENTER  
 1-800-522-6752

FOR APPLICATION TOOLING ASSISTANCE CENTER  
 1-800-722-1111

FINISH TIN PLATE  
 0.00254 [1.000100] MIN THK PER MIL-T-10727

NAME  
 TERMINAL, RING TONGUE, BUDGET

320761  
 PART NO

FOR ORDER ENTRY  
 1-800-526-5142

THIS DRAWING IS A CONTROLLED DOCUMENT FOR AMP INCORPORATED. IT IS SUBJECT TO CHANGE WITHOUT NOTICE. ANY CHANGES SHOULD BE CONFIRMED FOR THE LATEST REVISION.

APPLICATION SPEC  
 WEIGHT -  
 SCALE 4:1

SIZE  
 CAGE CODE 00779  
 DRAWING NO 320761

320761  
 SHEET 1 OF 1