



Chipsmall Limited consists of a professional team with an average of over 10 year of expertise in the distribution of electronic components. Based in Hongkong, we have already established firm and mutual-benefit business relationships with customers from,Europe,America and south Asia,supplying obsolete and hard-to-find components to meet their specific needs.

With the principle of “Quality Parts,Customers Priority,Honest Operation,and Considerate Service”,our business mainly focus on the distribution of electronic components. Line cards we deal with include Microchip,ALPS,ROHM,Xilinx,Pulse,ON,Everlight and Freescale. Main products comprise IC,Modules,Potentiometer,IC Socket,Relay,Connector.Our parts cover such applications as commercial,industrial, and automotives areas.

We are looking forward to setting up business relationship with you and hope to provide you with the best service and solution. Let us make a better world for our industry!



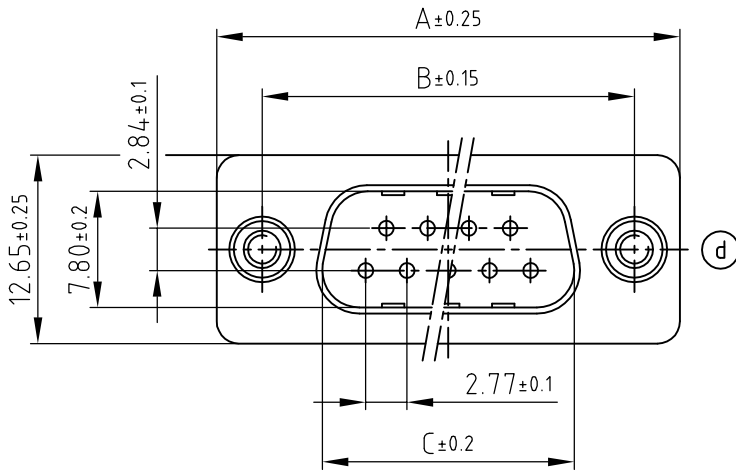
## Contact us

Tel: +86-755-8981 8866 Fax: +86-755-8427 6832

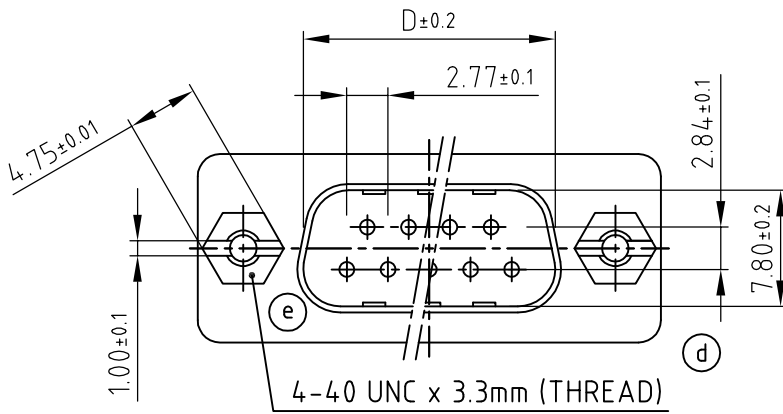
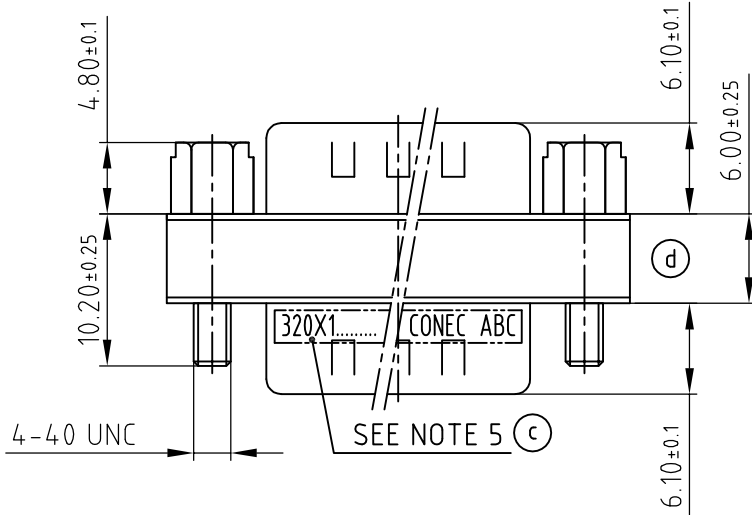
Email & Skype: info@chipsmall.com Web: www.chipsmall.com

Address: A1208, Overseas Decoration Building, #122 Zhenhua RD., Futian, Shenzhen, China





POS.	A ± 0.25	B ± 0.15	C ± 0.2	D ± 0.2	Part NO.
9	31.11	25.00	16.92	16.92	320X12509X
15	39.51	33.28	25.25	25.25	320X12529X
25	53.35	47.04	39.06	39.06	320X10549X
37	69.65	63.50	55.42	55.42	320X12549X



(d) (c)  
SPECIFICATION:

1. SHELL: TIN PLATED SHELL
2. INSULATOR: PBT GLASS FIBRE REINFORCED UL 94 V0 (b) (d)
3. CONTACTS: BRASS
4. CONTACT PLATING: GOLD PLATED over NICKEL
5. CONNECTOR IS PART MARKED: PART-NO. CONEC ABC

Directive 2002/95/EC RoHS compliant

THIS DRAWING MAY NOT BE COPIED OR REPRODUCED IN ANY WAY, AND MAY NOT BE PASSED ON TO A THIRD PARTY WITHOUT WRITTEN PERMISSION. OWNERSHIP AND COPYRIGHT OF CONEC GmbH DO NOT ALTER CAD DRAWING BY HAND

rev.	description	date	name
1 x e	Ä4765	28.05.2013	K.H.
6 x d	Ä4520	30.10.2012	Lehm.
2 x c	Ä4459	13.09.2012	Lehm.
1 x b	Ä2202	07.04.2005	HS
a	Original		

General tolerance		
.X	± 0.2	
.XX	± 0.15	
.XXX	± 0.05	

2002	date	name
drawn	30.04.	Parei
appd.	30.04.	E.Mickenbecker

scale:	2:1	
material:	SEE SPECIFICATION	
title:	GENDER CHANGER 2 x PLUG CONNECTOR 9-37pos.	
dwg no:	16K1A557	DIN-A 3 sh: 1/1
part no:	SEE TABLE	