



Chipsmall Limited consists of a professional team with an average of over 10 year of expertise in the distribution of electronic components. Based in Hongkong, we have already established firm and mutual-benefit business relationships with customers from,Europe,America and south Asia,supplying obsolete and hard-to-find components to meet their specific needs.

With the principle of “Quality Parts,Customers Priority,Honest Operation,and Considerate Service”,our business mainly focus on the distribution of electronic components. Line cards we deal with include Microchip,ALPS,ROHM,Xilinx,Pulse,ON,Everlight and Freescale. Main products comprise IC,Modules,Potentiometer,IC Socket,Relay,Connector.Our parts cover such applications as commercial,industrial, and automotives areas.

We are looking forward to setting up business relationship with you and hope to provide you with the best service and solution. Let us make a better world for our industry!



Contact us

Tel: +86-755-8981 8866 Fax: +86-755-8427 6832

Email & Skype: info@chipsmall.com Web: www.chipsmall.com

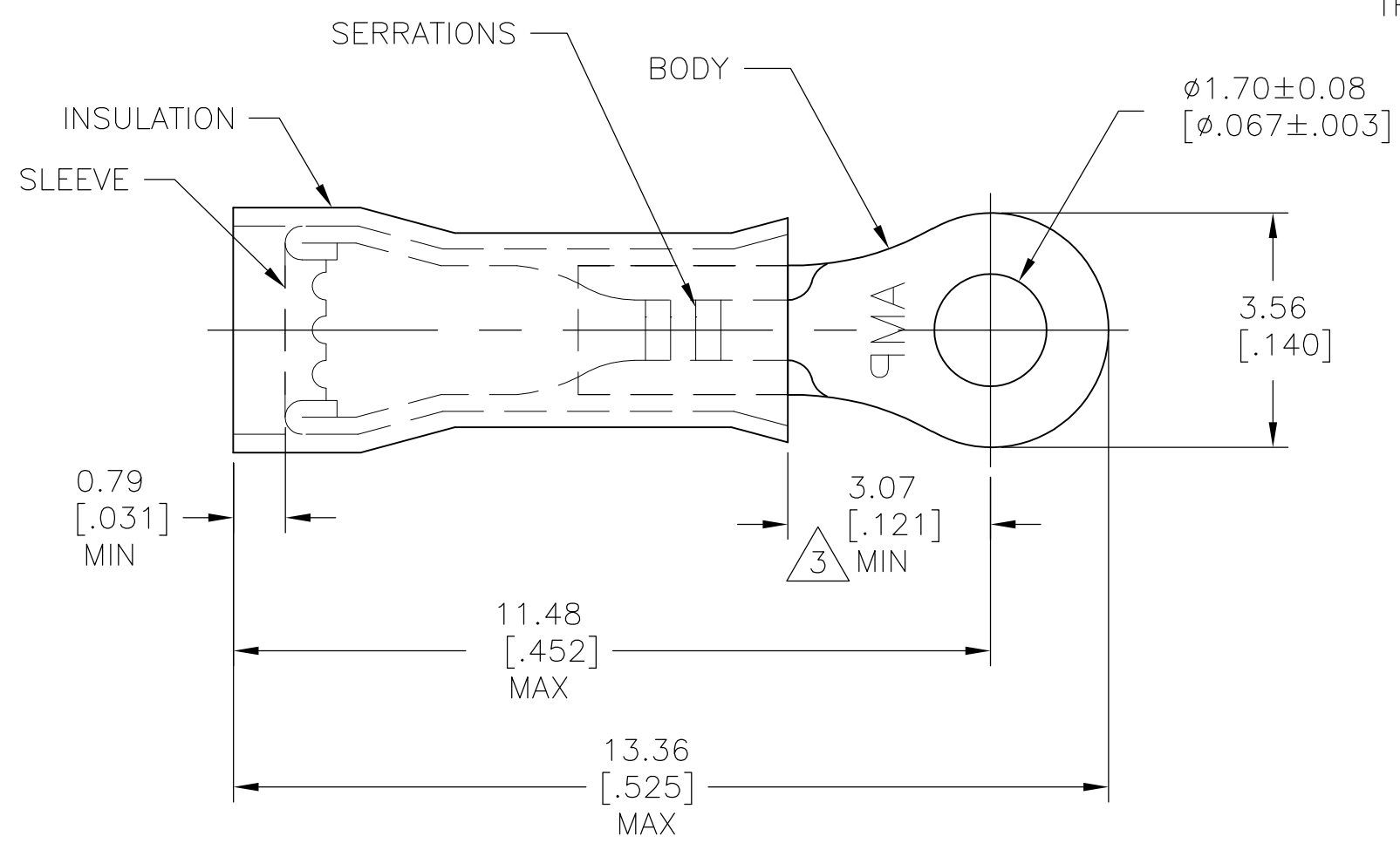
Address: A1208, Overseas Decoration Building, #122 Zhenhua RD., Futian, Shenzhen, China



THIS DRAWING IS UNPUBLISHED. RELEASED FOR PUBLICATION
 © COPYRIGHT BY TYCO ELECTRONICS CORPORATION. ALL INTERNATIONAL RIGHTS RESERVED.

| LOC | DIST | REVISIONS | | | | | |
|-----|------|-----------|-----|---------------------------|---------|-----|------|
| G | 14 | P | LTR | DESCRIPTION | DATE | DWN | APVD |
| | | H1 | | REVISED PER ECR-09-017960 | 26AUG09 | HMR | JR |

- 1 FOR 1.27 [.050] TO 2.08 [.082] WIRE INSULATION DIA
- 2 TONGUE MATERIAL THK = 0.46±0.05 [.018±.002]
- △3 APPLIES FROM THE METAL EDGE OF THE BARREL TO THE CENTER OF THE STUD



| 1 | 321013 ON TAPE | BODY: COPPER (ASTM-B152) TIN PL (ASTM-B545) | OBSOLETE 2-321013-1 |
|-----|----------------|--|-----------------------------------|
| 1 | WIRE TERMINAL | SLEEVE: COPPER (ASTM-B152) INSULATION: YELLOW NYLON | 321013 |
| QTY | DESCRIPTION | MATERIAL & FINISH | PART NO |

| | | | | |
|--|------------------|------------------------------|---|---------------|
| THIS DRAWING IS A CONTROLLED DOCUMENT. | | DWN RAGHAVENDRA 26AUG09 | Tyco Electronics Corporation Harrisburg, PA 17105-3608 | |
| DIMENSIONS: mm [INCHES] | | CHK JEFF RUTH 26AUG09 | NAME | |
| TOLERANCES UNLESS OTHERWISE SPECIFIED: | | APVD TOM MICHIELUTTI 26AUG09 | WIRE TERMINAL PIDG - RING TONGUE WIRE SIZE: 26 - 22 | |
| 0 PLC ± - | | PRODUCT SPEC | SIZE | CAGE CODE |
| 1 PLC ± - | | APPLICATION SPEC | DRAWING NO | RESTRICTED TO |
| 2 PLC ± - | | WEIGHT | A3 00779 | G-321013 |
| 3 PLC ± 0.20 [.008] | | | SCALE 10:1 | SHEET 1 OF 1 |
| 4 PLC ± - | | | | REV H1 |
| ANGLES ± 5° | | | | |
| MATERIAL SEE TABLE | FINISH SEE TABLE | CUSTOMER DRAWING | | |