



Chipsmall Limited consists of a professional team with an average of over 10 year of expertise in the distribution of electronic components. Based in Hongkong, we have already established firm and mutual-benefit business relationships with customers from,Europe,America and south Asia,supplying obsolete and hard-to-find components to meet their specific needs.

With the principle of “Quality Parts,Customers Priority,Honest Operation,and Considerate Service”,our business mainly focus on the distribution of electronic components. Line cards we deal with include Microchip,ALPS,ROHM,Xilinx,Pulse,ON,Everlight and Freescale. Main products comprise IC,Modules,Potentiometer,IC Socket,Relay,Connector.Our parts cover such applications as commercial,industrial, and automotives areas.

We are looking forward to setting up business relationship with you and hope to provide you with the best service and solution. Let us make a better world for our industry!



## Contact us

Tel: +86-755-8981 8866 Fax: +86-755-8427 6832

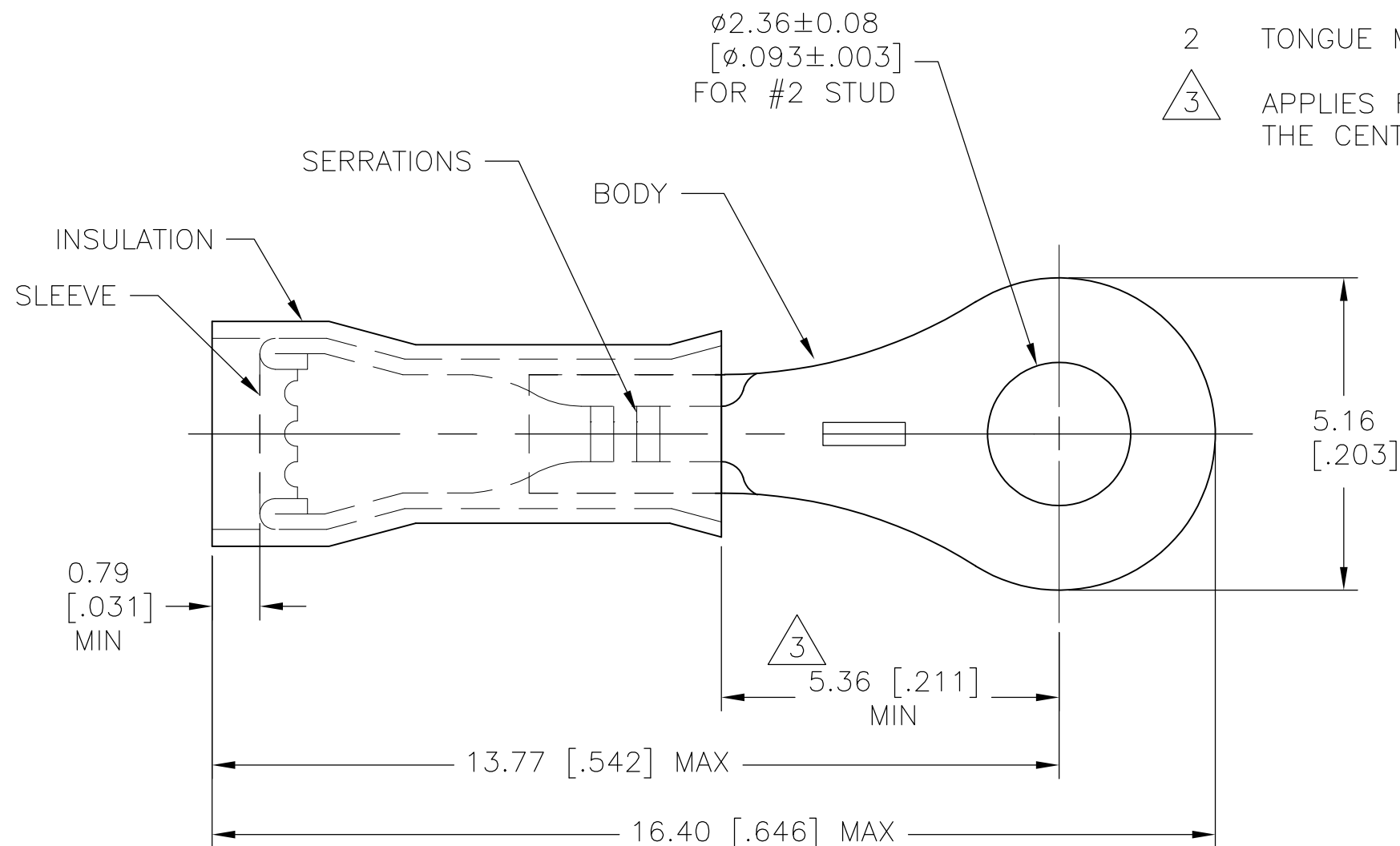
Email & Skype: info@chipsmall.com Web: www.chipsmall.com

Address: A1208, Overseas Decoration Building, #122 Zhenhua RD., Futian, Shenzhen, China



THIS DRAWING IS UNPUBLISHED. RELEASED FOR PUBLICATION  
 © COPYRIGHT BY TYCO ELECTRONICS CORPORATION. ALL INTERNATIONAL RIGHTS RESERVED.

LOC	DIST	REVISIONS			
P	LTR	DESCRIPTION	DATE	DWN	APVD
G	14	J	REVISED PER ECR-10-003079	03MAR10	JR TM



- 1 FOR 1.27 [.050] TO 2.08 [.082] WIRE INSULATION DIA
- 2 TONGUE MATERIAL THK =  $0.46 \pm 0.05$  [.018 ± .002]
- 3 APPLIES FROM THE METAL EDGE OF THE BARREL TO THE CENTER OF THE STUD

QTY	DESCRIPTION	MATERIAL & FINISH	PART NO
5000	321015 ON TAPE	BODY & SLEEVE: COPPER (ASTM-B152) TIN PL (ASTM-B545)	OBSOLETE <del>2-321015-2</del>
1000	WIRE TERMINAL	INSULATION: YELLOW PVC	321015

THIS DRAWING IS A CONTROLLED DOCUMENT.		DWN JR RUTH 03MAR10	Tyco Electronics Corporation Harrisburg, PA 17105-3608	
DIMENSIONS: mm [INCHES]		CHK JEFF RUTH 03MAR10	NAME TOM MICHIELUTTI	
TOLERANCES UNLESS OTHERWISE SPECIFIED:		APVD 03MAR10	PRODUCT SPEC ---	
0 PLC ± -		APPLICATION SPEC ---		
1 PLC ± -		SIZE A3		
2 PLC ± -		CAGE CODE 00779		
3 PLC ± 0.20 [.008]		DRAWING NO G-321015		
4 PLC ± -		RESTRICTED TO ---		
ANGLES ± 5°		SCALE 10:1		
MATERIAL SEE TABLE	FINISH SEE TABLE	SHEET 1 OF 1		
CUSTOMER DRAWING		REV J		