



Chipsmall Limited consists of a professional team with an average of over 10 year of expertise in the distribution of electronic components. Based in Hongkong, we have already established firm and mutual-benefit business relationships with customers from,Europe,America and south Asia,supplying obsolete and hard-to-find components to meet their specific needs.

With the principle of “Quality Parts,Customers Priority,Honest Operation,and Considerate Service”,our business mainly focus on the distribution of electronic components. Line cards we deal with include Microchip,ALPS,ROHM,Xilinx,Pulse,ON,Everlight and Freescale. Main products comprise IC,Modules,Potentiometer,IC Socket,Relay,Connector.Our parts cover such applications as commercial,industrial, and automotives areas.

We are looking forward to setting up business relationship with you and hope to provide you with the best service and solution. Let us make a better world for our industry!



## Contact us

Tel: +86-755-8981 8866 Fax: +86-755-8427 6832

Email & Skype: info@chipsmall.com Web: www.chipsmall.com

Address: A1208, Overseas Decoration Building, #122 Zhenhua RD., Futian, Shenzhen, China





**BOARD LEVEL COOLING – Screw On 3210**

Screw On 3210 is a series of two piece board level heat sinks designed to cool TO-5 and TO-39 devices. Representative image only.



**ORDERING INFORMATION**

Part Number	Device Type
321127B00000G	TO-5
321527A00000G	TO-5, TO-39
321527B00000G	TO-5, TO-39

**HEAT SINK DETAILS**

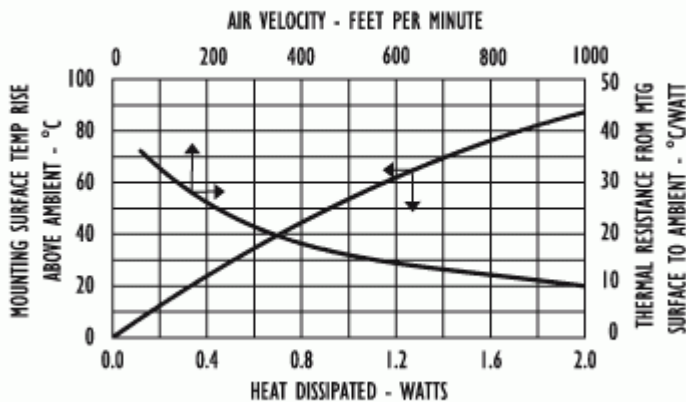
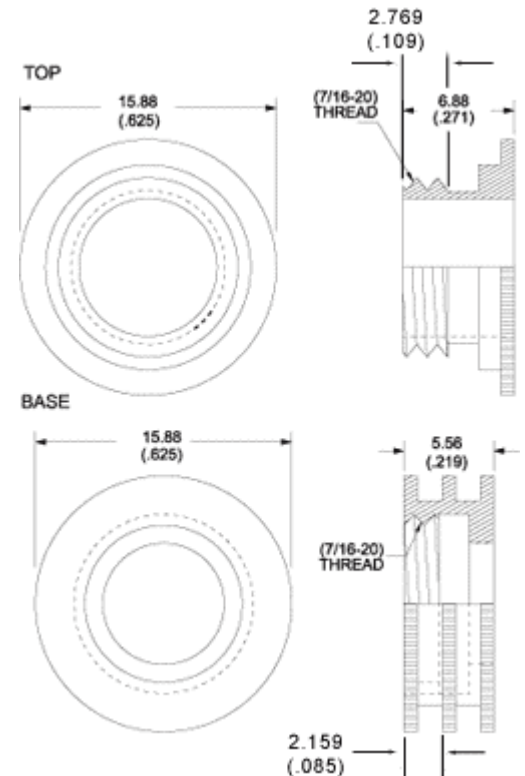
Property	Details
<i>Material</i>	Aluminum
<i>Finish: 321127B00000G</i>	Black Anodize
<i>Finish: 321527B00000G</i>	Black Anodize
<i>Finish: 321527A00000G</i>	Hard Black Anodize
<i>Device Attachment Options</i>	Screw-On
<i>Thermal Interface Material</i>	-
<i>Heat Sink Mounting Direction</i>	Horizontal, Vertical

**MECHANICAL & PERFORMANCE**

Drawing dimensions are shown in mm, (in)

Part Number	Heat Sink Length	Heat Sink Width	Heat Sink Height
321127B00000G	15.88	15.88	10.28
321527A00000G	19.05	19.05	10.55
321527B00000G	19.05	19.05	10.55

Part Number: 321127B00000G



Part Number: 321527A00000G, 321527B00000G

