



Chipsmall Limited consists of a professional team with an average of over 10 year of expertise in the distribution of electronic components. Based in Hongkong, we have already established firm and mutual-benefit business relationships with customers from,Europe,America and south Asia,supplying obsolete and hard-to-find components to meet their specific needs.

With the principle of “Quality Parts,Customers Priority,Honest Operation,and Considerate Service”,our business mainly focus on the distribution of electronic components. Line cards we deal with include Microchip,ALPS,ROHM,Xilinx,Pulse,ON,Everlight and Freescale. Main products comprise IC,Modules,Potentiometer,IC Socket,Relay,Connector.Our parts cover such applications as commercial,industrial, and automotives areas.

We are looking forward to setting up business relationship with you and hope to provide you with the best service and solution. Let us make a better world for our industry!



Contact us

Tel: +86-755-8981 8866 Fax: +86-755-8427 6832

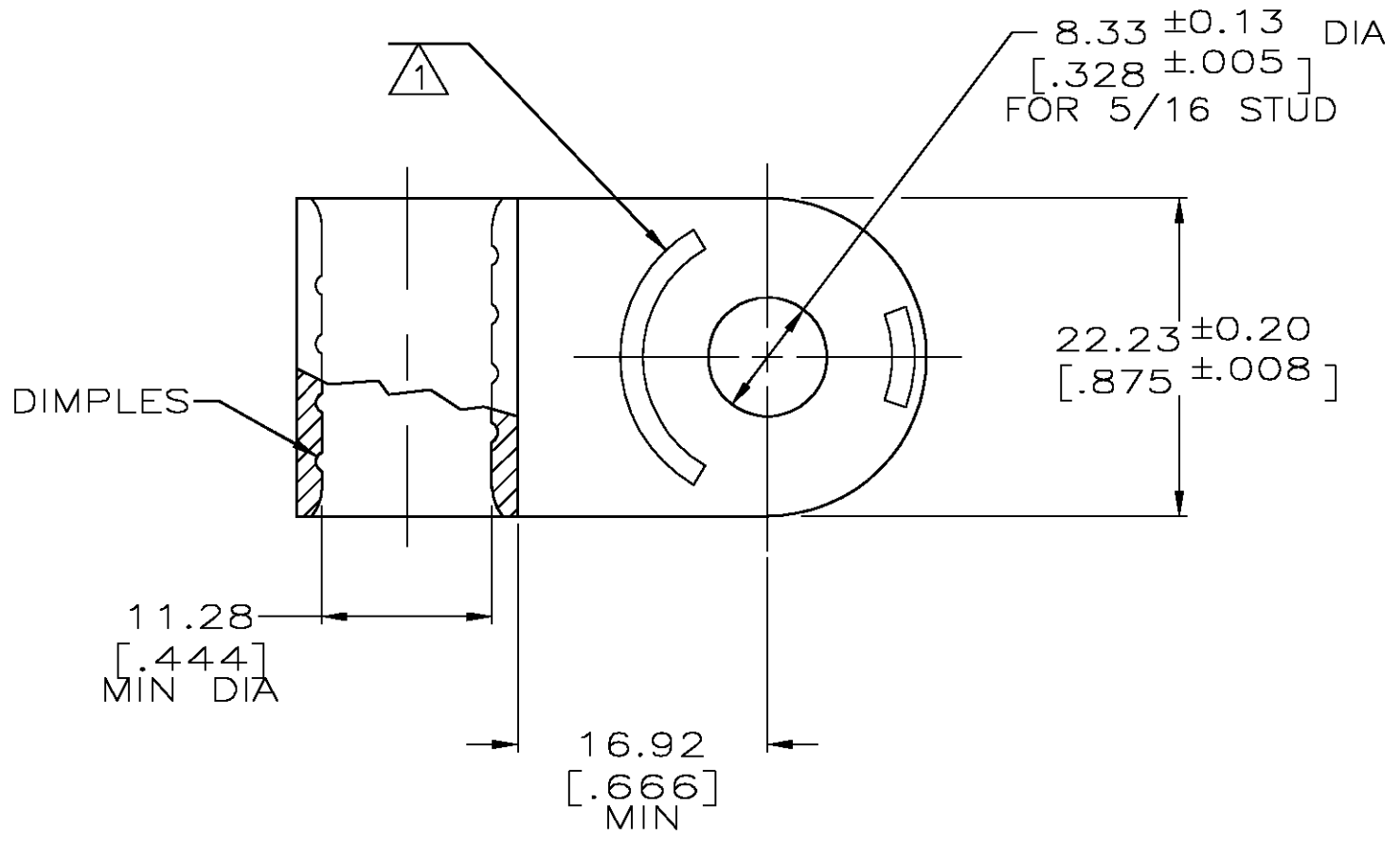
Email & Skype: info@chipsmall.com Web: www.chipsmall.com

Address: A1208, Overseas Decoration Building, #122 Zhenhua RD., Futian, Shenzhen, China



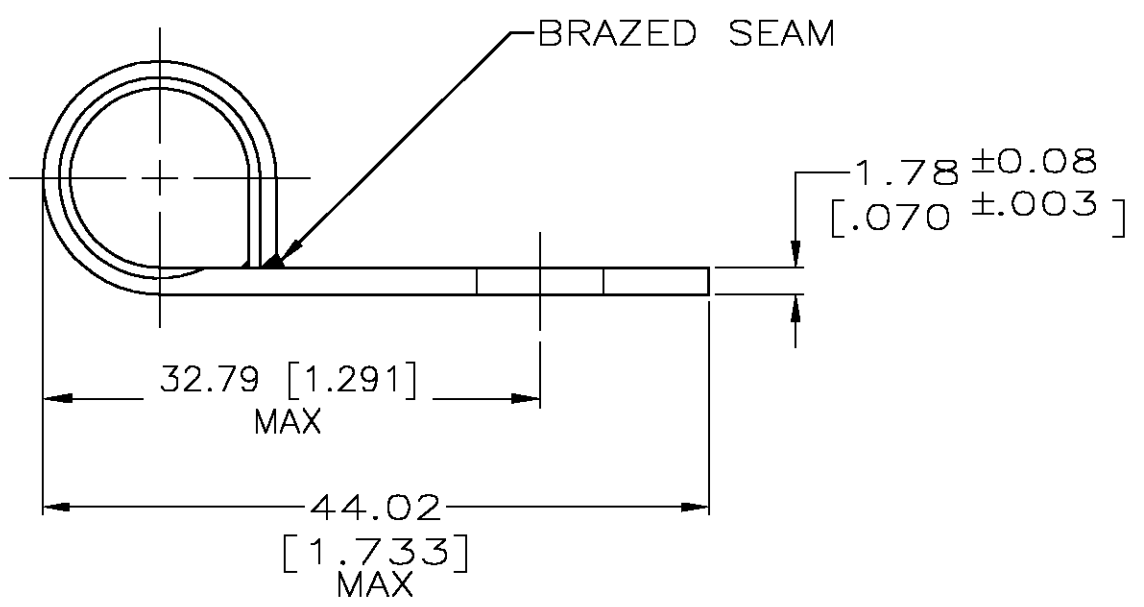
THIS DRAWING IS UNPUBLISHED. RELEASED FOR PUBLICATION
 © COPYRIGHT BY TYCO ELECTRONICS CORPORATION. ALL RIGHTS RESERVED.

| LOC | DIST | REVISIONS | | | | | |
|-----|------|-----------|-----|--------------------------|---------|-----|------|
| | | P | LTR | DESCRIPTION | DATE | DWN | APVD |
| G | 14 | | E | REVISED PER 0G3A-0799-03 | 17DEC03 | JR | MJS |



| | | |
|------------------------------|-----------------------|------------------------------|
| AMP WIRE RANGE | Listed FILE E13288 | LR7189 Certified |
| 1/0 AWG SOLID OR STRANDED | 1/0 AWG STRANDED | 1/0 AWG SOLID OR STRANDED |

- ① STAMP AMP 1/0* 100 APPROX AS SHOWN
- ② COPPER PER ASTM B-152, ANNEALED
- ③ 0.00254 [.000100] MIN TIN PER ASTM B-545



321580
AMP
PART NUMBER

**AMP INCORPORATED
CUSTOMER SERVICE SYSTEMS**

| | | |
|--|--|---|
| FOR ADDITIONAL PRODUCT INFORMATION OR COPIES OF DRAWINGS AND TECHNICAL DOCUMENTS | PRODUCT INFORMATION CENTER 1-800-522-6752 | RECOMMENDED OPERATING TEMPERATURE: 170° C MAX |
| FOR APPLICATION TOOLING INFORMATION | TOOLING ASSISTANCE CENTER 1-800-722-1111 | VOLTAGE RATING: NOT APPLICABLE |
| FOR ORDER ENTRY | 1-800-526-5142 | WIRE CROSS SECTIONAL AREA RANGE: 42.4-60.6mm ² [83,700-119,500] CIR MILS SOLID OR STRANDED |

THIS DRAWING IS A CONTROLLED DOCUMENT.

| | |
|----------------------------|--|
| DIMENSIONS: MM [INCHES] | TOLERANCES UNLESS OTHERWISE SPECIFIED: |
| | 0 PLC ± - |
| | 1 PLC ± - |
| | 2 PLC ± 0.20 [.008] |
| | 3 PLC ± - |
| | 4 PLC ± - |
| | ANGLES ± - |
| MATERIAL | FINISH |
| - ② | - ③ |

| | | | | |
|-------------------------------|------------------|--|--------------------|------------------------|
| DWN DK SCHRUM 05DEC97 | | Tyco Electronics Corporation City, State, Zip | | |
| CHK MJ SPICER 05DEC97 | | NAME TERMINAL, RING TONGUE, FLAG, SOLISTRAND | | |
| APVD JL MECKLEY 05DEC97 | | SIZE A3 | CAGE CODE 00779 | DRAWING NO C-321580 |
| PRODUCT SPEC | APPLICATION SPEC | WEIGHT | RESTRICTED TO | |
| CUSTOMER DRAWING | | SCALE 2:1 | SHEET 1 OF 1 | REV E |